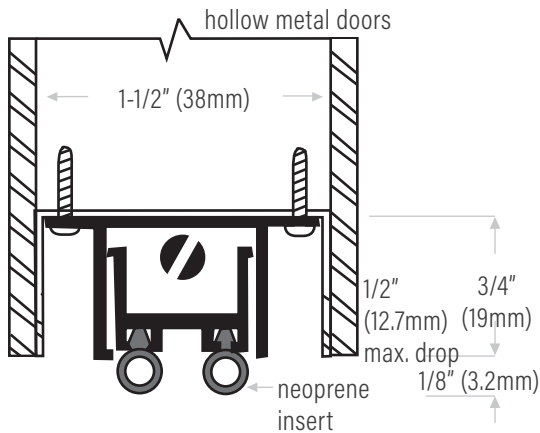


AUTOMATIC DOOR BOTTOMS

Mortise Application for Metal Doors



Lengths available:

24" (610mm) special order only
 28" (711mm)
 30" (762mm)
 32" (813mm)
 36" (914mm)
 42" (1067mm)
 48" (1219mm)

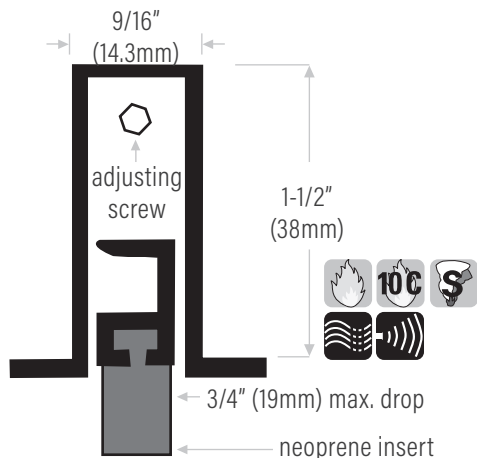


DS344AN Extruded aluminum mill finish with neoprene insert, black.

Fits in 1 5/8" x 3/4" (41mm x 19mm) bottom door channel & may be field cut (up to 4" [102mm]) in length to fit door & is reversible. This unit has an adjusting screw to regulate amount of drop to 1/2" (12.7mm). A "furring strip" may be used to lower this automatic door bottom when a deeper channel is used. Units furnished 1/2" (12.7mm) shorter than ordered length in order to fit within net door size. Door Bottoms lengths available from 24" (610mm) - 48" (1219mm). Fire ratings apply to metal doors only.

Mortise Application

5/8" x 1-9/16" (16mm x 40mm)

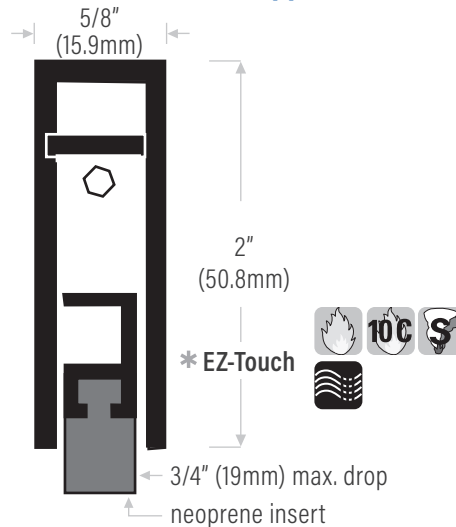


DS336AN Extruded aluminum mill finish with neoprene insert, black

Lengths available:

23-3/4" (603mm) special order only
 27-3/4" (705mm)
 29-3/4" (756mm)
 31-3/4" (806mm)
 35-3/4" (908mm)
 41-3/4" (1060mm)
 47-3/4" (1213mm)

Surface Mounted Application



DS335CN Extruded aluminum clear anodized with neoprene insert, black
DS335DN Bronze anodized with neoprene insert, black. Custom order, call for manufacturing time. 36" & 48" only (914mm & 1219mm)

* The **EZ-Touch** door bottom requires only 3 to 5 pounds of pressure to activate the drop bar mechanism. Light gauge materials have allowed us to perfect a door bottom suited for those applications when the pressure to close the door is critical. We've included the same proven technology used in all of our other automatic door bottoms. Accessibility requirements remind us of the necessity for everyone to be able to operate doors with ease. Our EZ-Touch door bottom meets that need & still provides an effective seal for any application. End caps furnished standard.

