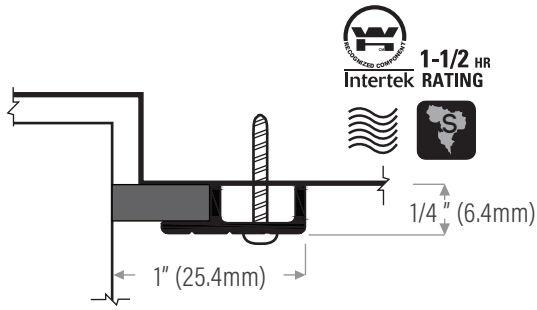


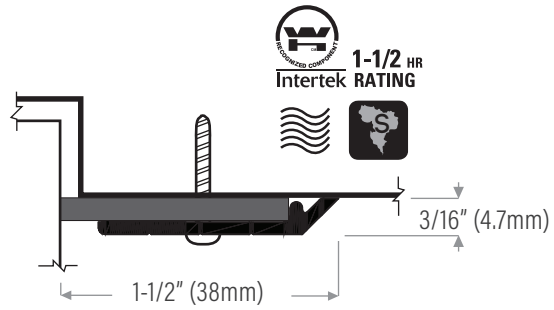
# DOOR WEATHERSEALING



**DS130CR** Extruded aluminum clear anodized with sponge neoprene insert

**DS130DR** Bronze anodized

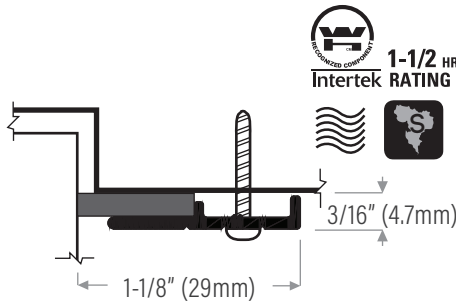
**DSR30BL** Replacement neoprene sponge insert, black, 1/4" x 1/2" (6.4mm x 12.7mm)



**DS139CR** Extruded aluminum clear anodized with sponge neoprene insert

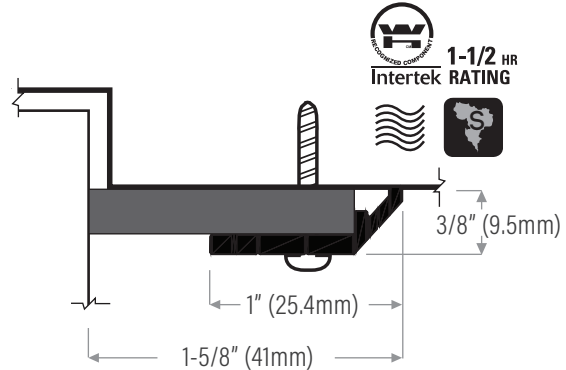
**DS139DR** Bronze anodized

**DSR39BL** Replacement sponge neoprene insert, black, 3/16" x 1-1/4" (6.4mm x 12.7mm)



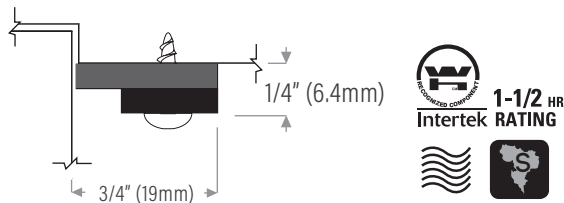
**DS134CR** Extruded aluminum clear anodized with sponge neoprene insert

**DSR34BL** Replacement neoprene sponge insert, black, 3/16" x 5/8" (4.7mm x 16mm)



**DS132CR** Extruded aluminum clear anodized with sponge neoprene insert

**DSR32BL** Replacement sponge neoprene insert, black, 1/4" x 1-1/8" (6.4mm x 29mm)



**DS243SSR** Stainless steel with sponge neoprene insert.

**DSR43BL** Replacement neoprene sponge insert, black 3/4" x 3/16" (19mm x 5mm) thick

Weatherseals on this page are supplied with punched holes and screws and are only available in the following NET lengths:

1/3' x 2/7' set	(914 x 2134mm)
1/3' x 2/8' set	(914 x 2438 mm)
1/6' x 2/7' set	(1829 x 2134mm)
3 x 8' set	(2438mm)
1 x 14' length	(4267mm)