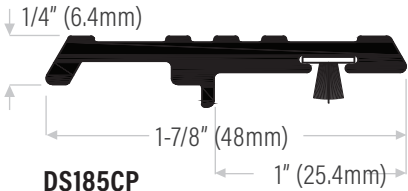


ASTRAGALS

Flat & T-Bar

Lengths available for DS180, DS182 and DS185: 84" (2134mm), 96" (2438mm) & 180" (4572mm)



DS185CP

Extruded aluminum clear anodized with pile insert

DS185DP

Bronze anodized



DS7520-270G

Replacement Pile insert, grey for DS180 & DS185



DS185CT

Extruded aluminum clear anodized with TPE (T) insert

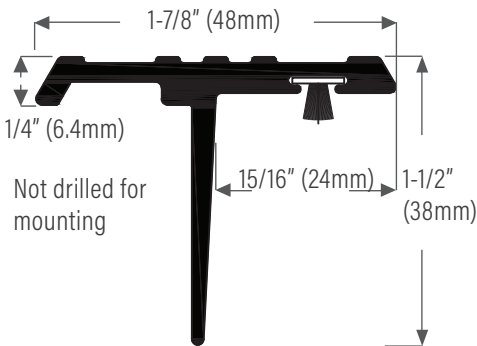
DS185DT

Bronze anodized

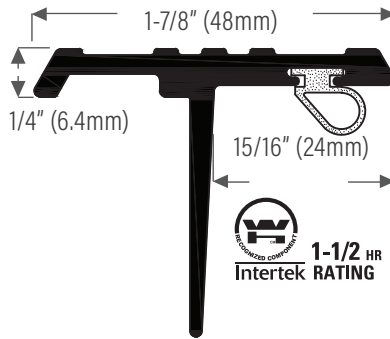


DS17BL Replacement

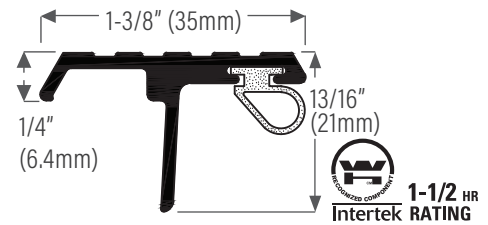
TPE insert, black for DS180 & DS185



DS180CP Extruded aluminum clear anodized with pile insert



DS180CT Extruded aluminum clear anodized with TPE (T) insert



DS182 Extruded aluminum clear anodized with TPE (T) insert

DS182CT84 Clear anodized 84" (2134mm)

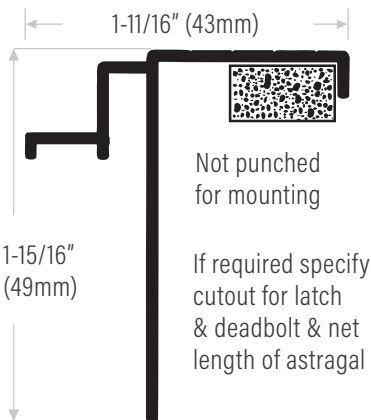
DS182CT96 Clear anodized 96" (2438mm)

DS182CT180 Clear anodized 180" (4572mm)

DS182DT84 Bronze anodized 84" (2134mm)

DS182DT96 Bronze anodized 96" (2438mm)

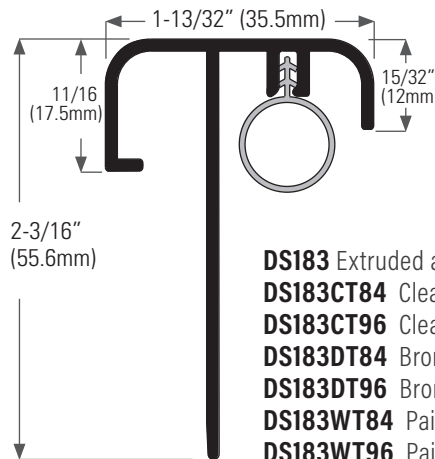
DS182DT180 Bronze anodized 180" (4572mm)



DS181D Bronze anodized with neoprene gasket. Lengths available: 84" (2134mm) & 96" (2438mm)

DS181C Clear anodized

DS181W Painted white



DS183 Extruded aluminum with TPE (T) insert

DS183CT84 Clear anodized 84" (2134mm)

DS183CT96 Clear anodized 96" (2438mm)

DS183DT84 Bronze anodized 84" (2134mm)

DS183DT96 Bronze anodized 96" (2438mm)

DS183WT84 Painted white 84" (2134mm)

DS183WT96 Painted white 96" (2438mm)

