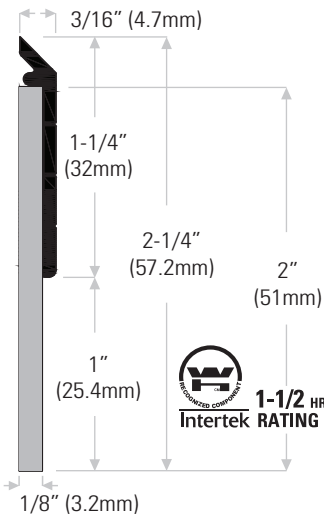
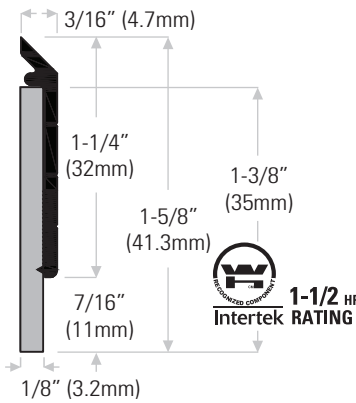


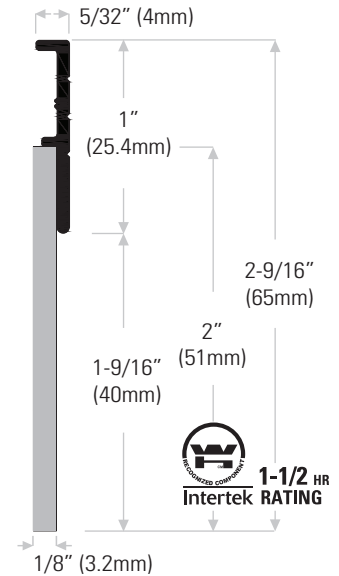
DOOR BOTTOM SWEEPS



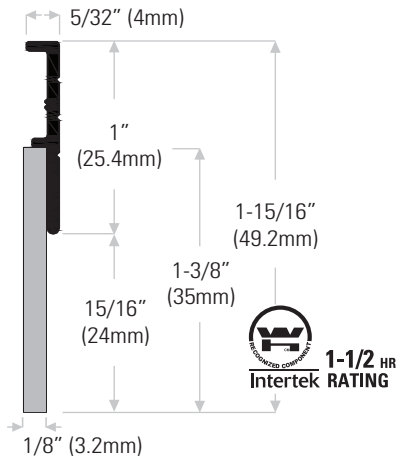
DS138CN-2 Extruded aluminum clear anodized with rubber insert, black, 1/8" x 2" (3.2mm x 51mm)
DS138DN-2 Bronze anodized
DSN38BL2 Replacement rubber insert, black



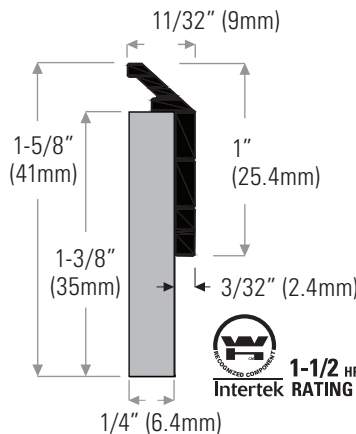
DS138CN Extruded aluminum clear anodized with rubber insert, black, 1/8" x 1-3/8" (3.2mm x 35mm)
DS138DN Bronze anodized
DSN38BL Replacement rubber insert, black



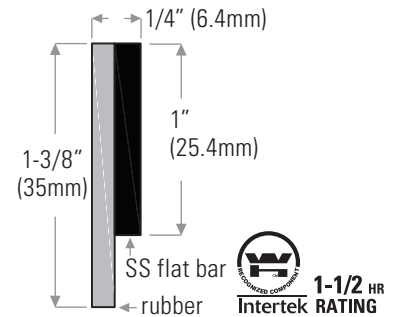
DS136CN-2 Extruded aluminum clear anodized with rubber insert, black, 1/8" x 2" (3.2mm x 51mm)
DS136DN-2 Bronze anodized



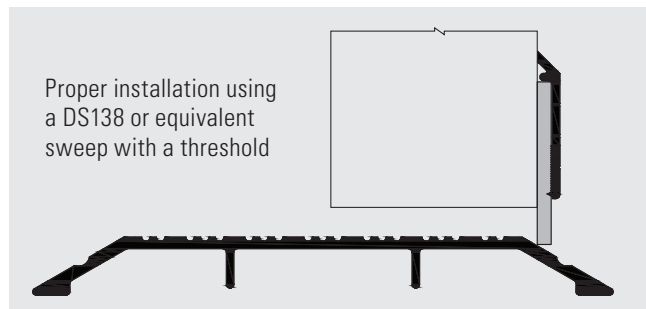
DS136CN Extruded aluminum clear anodized with rubber insert, black, 1/8" x 1-3/8" (3.2mm x 35mm)
DS136DN Bronze anodized



DS135CN Extruded aluminum clear anodized with 1/4" x 1-3/8" (6.4mm x 35mm) rubber insert, black
DSN35BL Replacement neoprene insert, black



DS238SSN Stainless steel with rubber insert, black



Proper installation using a DS138 or equivalent sweep with a threshold

Door bottom sweeps on this page are supplied with punched holes and screws and are only available in the following NET lengths:

- 36" (914mm)**
- 48" (1219mm)**
- 84" (2134mm)**
- 96" (2438mm)**