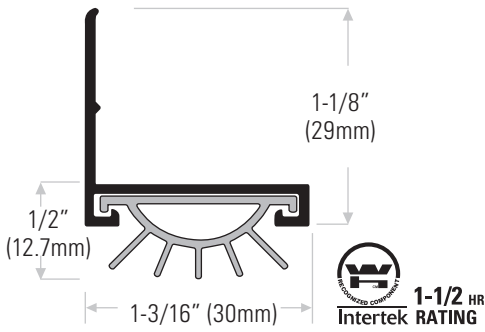
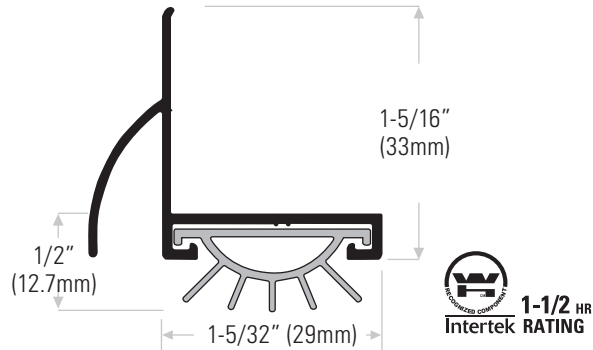


DOOR SHOES (ALUMINUM)

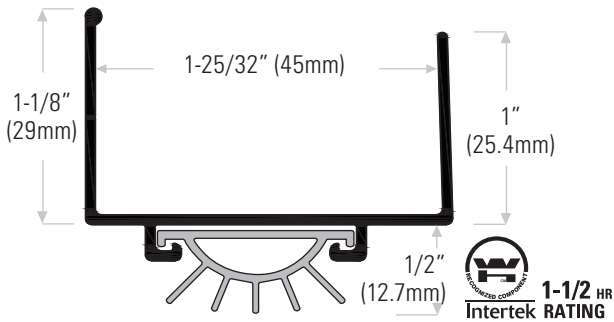
Door shoes on this page are supplied with punched holes and screws and are available in the following NET lengths: 36" (914mm) & 48" (1219mm). Custom lengths available, call for manufacturing time.



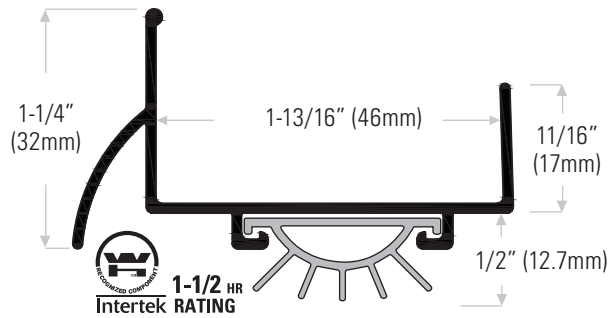
DS211AT Extruded aluminum mill finish with TPE (T) insert
DS211DT Bronze anodized



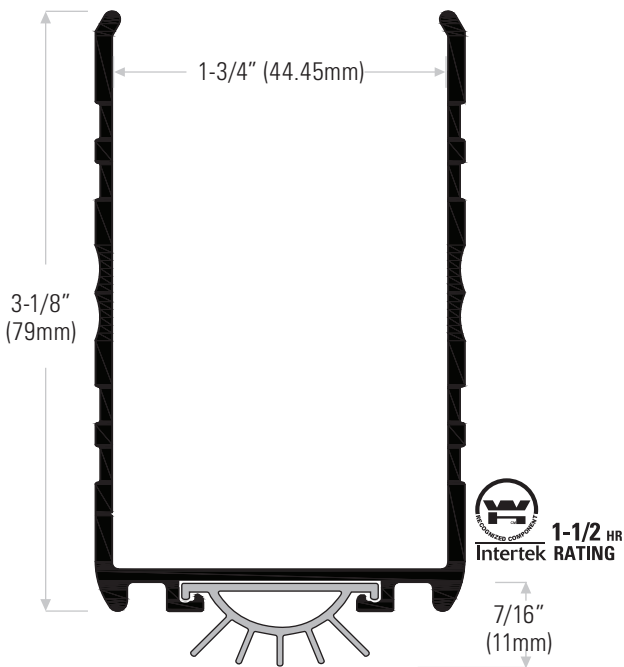
DS210AT Extruded aluminum mill finish with TPE (T) insert
DS210DT Bronze anodized



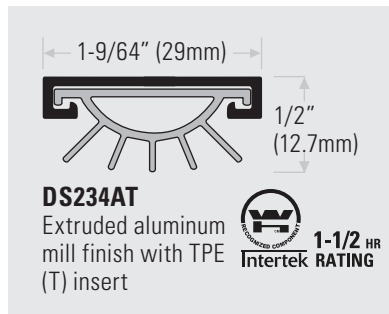
DS217AT Extruded aluminum mill finish with TPE (T) insert
DS217DT Bronze anodized



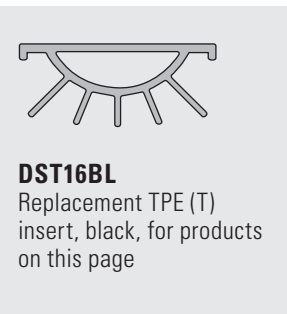
DS216AT Extruded aluminum mill finish with TPE (T) insert
DS216DT Bronze anodized



DS212AT Extruded aluminum mill finish with TPE (T) insert
DS212DT Bronze anodized

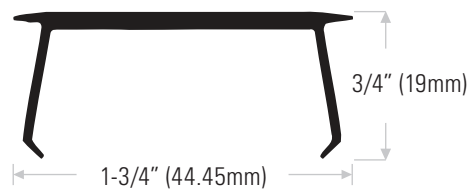


DS234AT
 Extruded aluminum mill finish with TPE (T) insert



DST16BL
 Replacement TPE (T) insert, black, for products on this page

Door Top Cap For Hollow Metal Doors



DS388 Extruded rigid vinyl grey.
 Length available: 9 ft. (2743mm) only