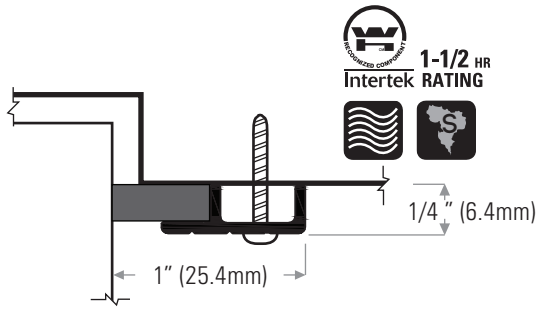


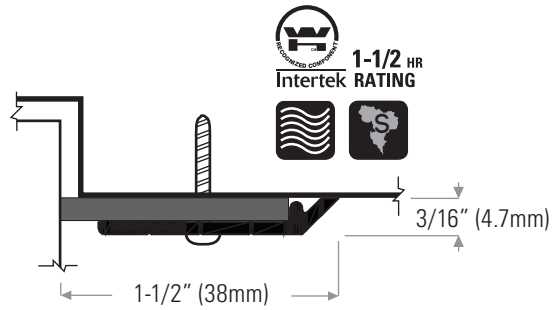
DOOR WEATHERSEALING



DS130CR Extruded aluminum clear anodized with sponge neoprene insert

DS130DR Bronze anodized

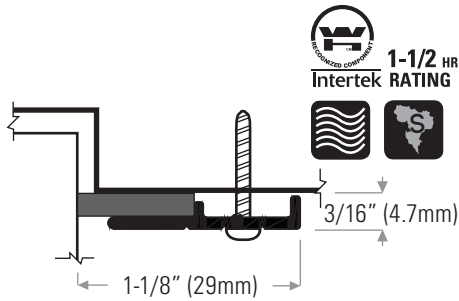
DSR30BL Replacement neoprene sponge insert, black, 1/4" x 1/2" (6.4mm x 12.7mm)



DS139CR Extruded aluminum clear anodized with sponge neoprene insert

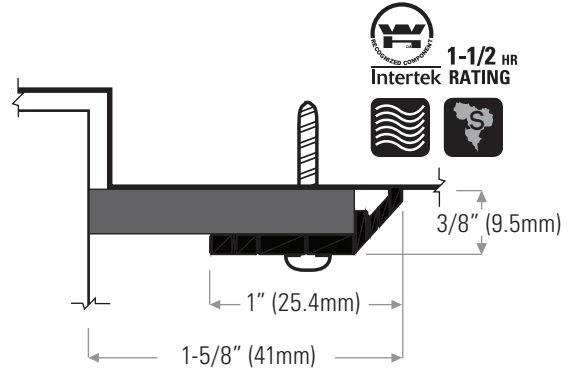
DS139DR Bronze anodized

DSR39BL Replacement sponge neoprene insert, black, 3/16" x 1-1/4" (6.4mm x 12.7mm)



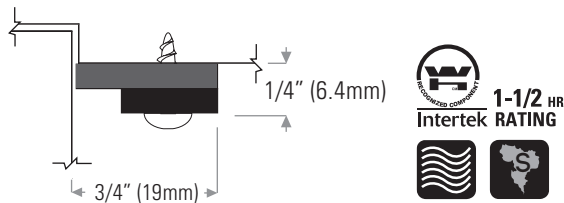
DS134CR Extruded aluminum clear anodized with sponge neoprene insert

DSR34BL Replacement neoprene sponge insert, black, 3/16" x 5/8" (4.7mm x 16mm)



DS132CR Extruded aluminum clear anodized with sponge neoprene insert

DSR32BL Replacement sponge neoprene insert, black, 1/4" x 1-1/8" (6.4mm x 29mm)



DS243SSR Stainless steel with sponge neoprene insert.

DSR43BL Replacement neoprene sponge insert, black 3/4" x 3/16" (19mm x 5mm) thick

Weatherseals on this page are supplied with punched holes and screws and are only available in the following NET lengths:

1/3' x 2/7' set	(914 x 2134mm)
1/3' x 2/8' set	(914 x 2438 mm)
1/6' x 2/7' set	(1829 x 2134mm)
3 x 8' set	(2438mm)
1 x 14' length	(4267mm)