

WEATHERSEALING (KERF-INSERTED)

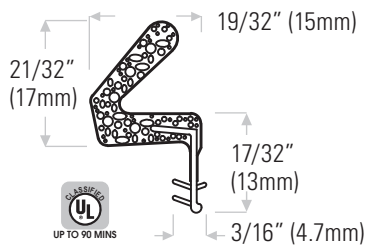
DS434 Q-Foam Wrap Kerf Inserted Jamb Weatherseal

Fire Rating

Category H edge sealing system & category J gasketing for use with category B wood doors rated 20 minutes fire tested without hose stream & category B wood & plastic-covered composite doors rated up to 90 minutes.

Water Infiltration

Passed water penetration tests at 25 mph (40 km/h) & 34 mph (55 km/h) ASTM E-331 standard test method.



DS434BL

Black. Lengths: 82" & 97"

Full coil: 500 ft. (152m) or custom size coil up to 500 ft.

DS434B

Brown. Lengths: 37", 82" & 97"

Full coil: 500 ft. (152m) or custom size coil up to 500 ft.

DS434W

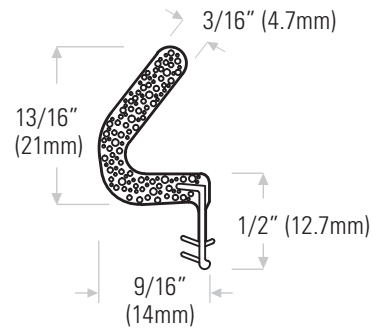
White. Lengths: 37", 82" & 97"

Full coil: 500 ft. (152m) or custom size coil up to 500 ft.

DS430 Extended Reach Kerf-Inserted "Foamwrap" Jamb Weatherseal

Recommended for header & latch side only.

NOTE: Use **DS434** for hinge side

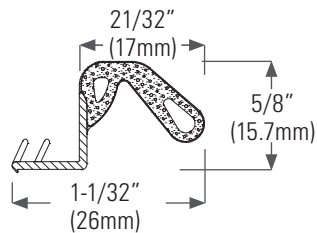


DS430B Brown. Lengths: 81" & 96"

DS430W White. Lengths: 81" & 96"

- » Increased tear resistant jacketing
- » Low closing force
- » Easy pull-out & reinstallation
- » UV resistant jacketing
- » Minimal compression set
- » Ramp-up foot design
- » Moisture resistant foam
- » Virtually self guiding

DS421 Kerf Inserted "Foam-Tight" Jamb Weatherseal



DS421BL

Black. Lengths: 37", 82", 85", 97"

Full coil: 500 ft. (152m) or custom size coil up to 500 ft.

DS421B

Brown. Lengths: 37", 82", 85", 97"

Full coil: 500 ft. (152m) or custom size coil up to 500 ft.

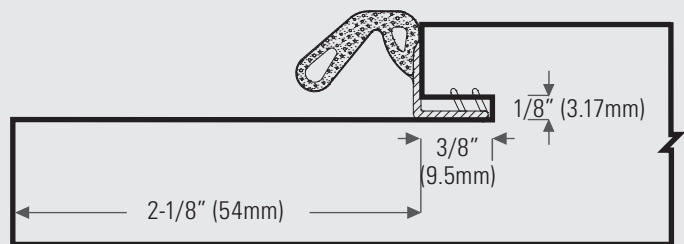
DS421W

White. Lengths: 37", 82", 85", 97"

Full coil: 500 ft. (152m) or custom size coil up to 500 ft.

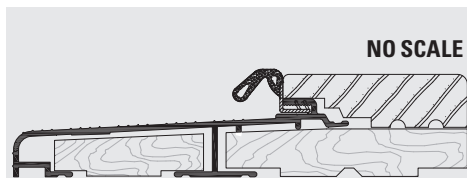
Multifunctional Use

DS421 Used in typical 2-1/8" (54mm) rabbeted / kerfed door jamb

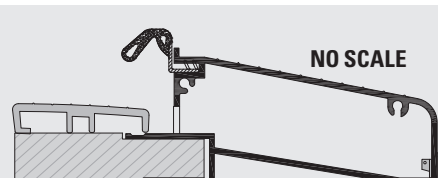


37" = 940mm | 82" = 2083mm | 85" = 2159mm

97" = 2464mm | 500 ft = 152m



DS421 Used in outswing door sill application



DS421 Used in inswing door sill application

DS421

Kerf gasket used with DS422 aluminum carrier for retrofit weathersealing door jamb kit



NO SCALE

- Seamless, elastomeric skin provides easy breakaway, long-life integrity, & eliminates water penetration
- Available in .650 reach (21/32" [17mm]) for 3/8" (9.5mm) weatherseal gap.
- Dual-locking flexible barbs insert easily, hold securely without slipping, & can be removed & reinserted without damage
- Closed cell foam profile resists water absorption, eliminates wicking & has no air pockets
- Operating forces remain constant over a wide compression range helping doors exceed all industry requirements