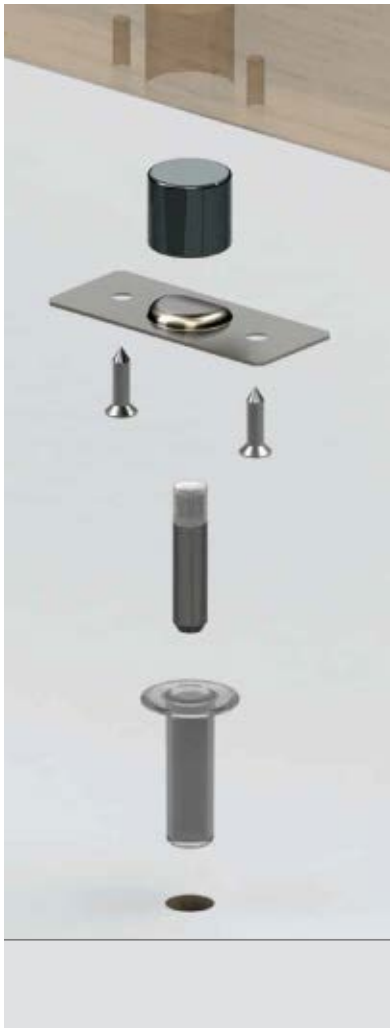


DraftSeal®

Weathersealing Specialists Since 1960

A sleek new doorstop integrated with a hold-open device.



5 RING FINISHES:

chrome or satin

black

white

clear



- » Flush mounted
- » Rare earth magnet induced hold-open device
- » Flush mounted mechanical door stop
- » No trip hazard
- » Stream-line modern finish
- » Suitable for single and double leaf doors
- » Suitable for various fixing positions
- » Quick and easy installation

The Fantom Doorstop Solution provides a high quality innovative solution for all project application requirements.

The flush mounted pin alleviates trip hazards whilst maintaining a modern desirable finish. The concealed rare earth magnet technology ensures exceptional mechanical functionality.

FRENCH DOORS:

Top of door instead of roller pins or lever latch locks. The Fantom system will hold the doors in place and easily allow them to open when you want. Bottom of the door, as a traditional stop and integrated hold-open. Both functions in one convenient integrated system.



The Fantom Doorstop for single or french door application



DraftSeal®

Weathersealing Specialists Since 1960

Each phantom doorstop pack contains the following components:



DS15CLEAR

1 per box

DS15CLEARRETAIL

1 per consumer clamshell package



DS15BLACK

1 per box



DS15WHITE

1 per box



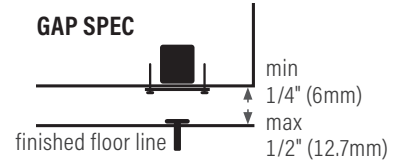
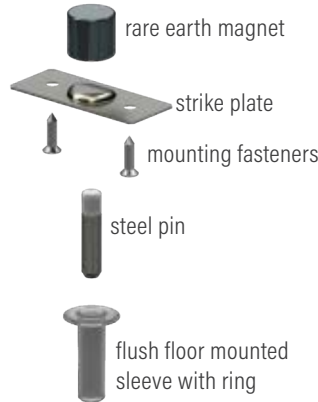
DS15CHROME

1 per box



DS15SATIN

1 per box



DS15INSTALLKIT

Installation kit



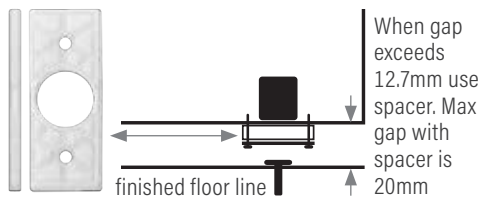
DS15CARPETPUNCH

Carpet punch



DS15DIAMONDCORER

Diamond Corer for tile floor



DS15SPACER5MM

Packer (plastic) 5mm. For use when doors have a gap exceeding 1/2" (12.7mm). The packer brings down the height of the striker plate and magnet to achieve a lower gap under door.



DS15BDSTRIKER

Barn door striker, nylon

Head Office & Manufacturing Centre, Vancouver, Canada

7470 Buller Avenue, Burnaby, B.C. V5J 4S5 Canada

Phone: (604) 451-1080 • Fax: (604) 451-1140 • www.DraftSeal.com • info@DraftSeal.com

Outside Vancouver, B.C., please use our toll free numbers: Phone: 1-888-520-9009 Fax: 1-800-567-2887

Please visit www.DraftSeal.com for our full discount, freight information, warranty information, terms & conditions, returns & allowances, claims policy, and other general information.