



www.theDSgroup.com

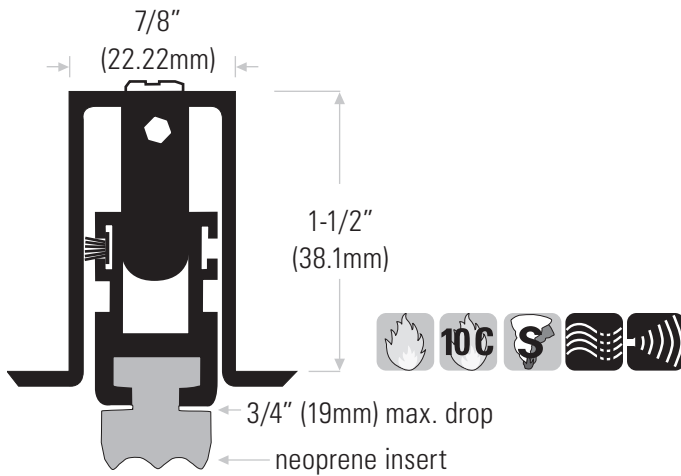
## Tomorrow's Innovative Solutions for Today's Doors & Windows

The DS Group Of Companies: Draftseal®, Kristrack®, Eclipse Architectural® & DSD Hardware

# DraftSeal®

## Automatic Door Bottom, Mortise Application

15/16" x 1-5/8" (24mm x 41.5mm)



### DS342AN

Extruded aluminum mill finish with neoprene insert, black. Available with lead insert for radiation shield. Specify "lead lined" custom order, call for manufacturing time.

### DS342EC

End plate (replacement part)

### Lengths available:

23-3/4" (603mm) special order only, 27-3/4" (705mm), 29-3/4" (756mm), 31-3/4" (806mm), 35-3/4" (908mm), 41-3/4" (1060mm) & 47-3/4" (1213mm)

### Head Office & Manufacturing Centre - Vancouver, Canada

7470 Buller Avenue, Burnaby, B.C. V5J 4S5 Canada » www.theDSgroup.com » info@theDSgroup.com » Ph: (604) 451-1080  
Outside Vancouver, BC use toll free numbers Ph: 1-888-520-9009 Fax: 1-800-567-2887

### Branch Offices & Manufacturing Centres:

Toronto, Canada & Los Angeles, USA » THE DS GROUP IS THE BRAND IMAGE OF A.K. DRAFT SEAL LTD.

© COPYRIGHT A.K. DRAFT SEAL LTD | This drawing remains the property of A.K. Draft Seal and all its affiliates. The information contained in this drawing is not to be disclosed to any party without written approval from A.K. Draft Seal.