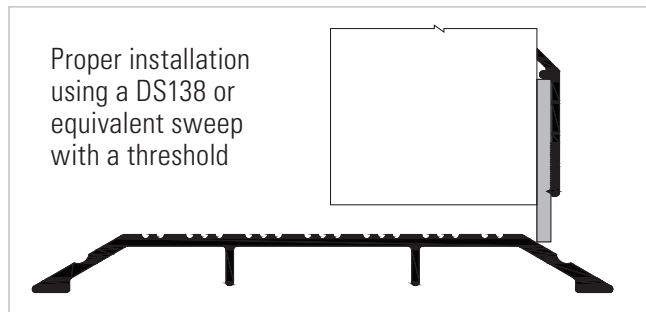
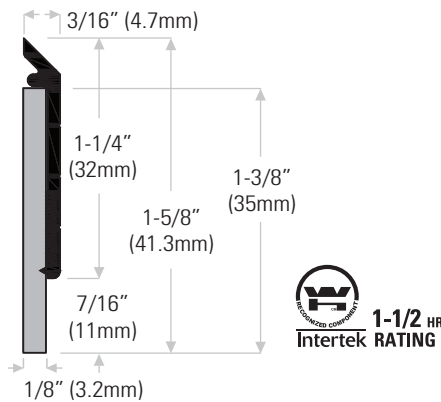


DraftSeal®

Door Bottom Sweep



DS138CN Extruded aluminum clear anodized with rubber insert, black, 1/8" x 1-3/8" (3.2mm x 35mm)

DS138DN Bronze anodized

DSN38BL Replacement rubber insert, black

This door bottom sweep is supplied with punched holes and screws and are only available in the following NET lengths: 36" (914mm), 48" (1219mm), 84" (2134mm) & 96" (2438mm)

Head Office & Manufacturing Centre - Vancouver, Canada

7470 Buller Avenue, Burnaby, B.C. V5J 4S5 Canada » www.theDSgroup.com » info@theDSgroup.com » Ph: (604) 451-1080
Outside Vancouver, BC use toll free numbers Ph: 1-888-520-9009 Fax: 1-800-567-2887

Branch Offices & Manufacturing Centres:

Toronto, Canada & Los Angeles, USA » THE DS GROUP IS THE BRAND IMAGE OF A.K. DRAFT SEAL LTD.