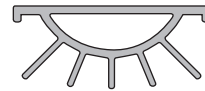
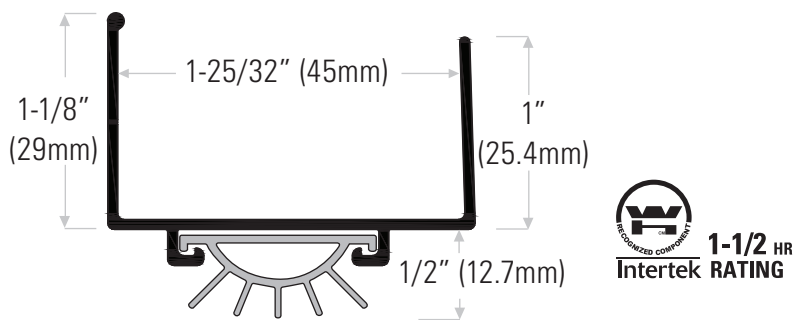


Aluminum Door Shoe



DST16BL

Replacement TPE (T)insert, black,
for products on this page

DS217AT Extruded aluminum mill finish with TPE (T) insert

DS217DT Bronze anodized

Door shoe is supplied with punched holes and screws and is available in the following NET lengths: 36" (914mm) & 48" (1219mm). Custom lengths available, call for manufacturing time.