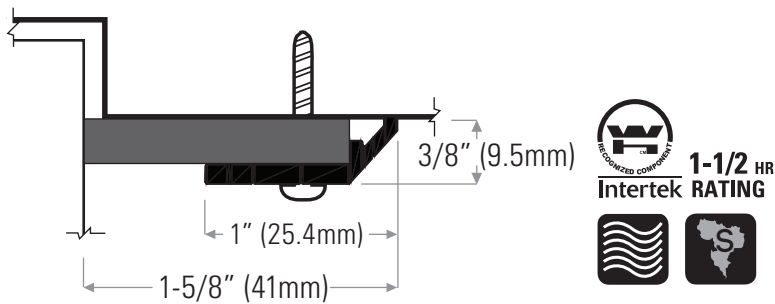


Door Weatherseal



DS132CR Extruded aluminum clear anodized with sponge neoprene insert

DSR32BL Replacement sponge neoprene insert, black, 1/4" x 1-1/8" (6.4mm x 29mm)

Weatherseal is supplied with punched holes and screws and are only available in the following NET lengths:
1/3' x 2/7' set (914 x 2134mm), 1/3' x 2/8' set (914 x 2438 mm), 1/6' x 2/7' set (1829 x 2134mm),
3 x 8' set (2438mm), 1 x 14' length (4267mm)