



www.theDSgroup.com

Tomorrow's Innovative Solutions for Today's Doors & Windows

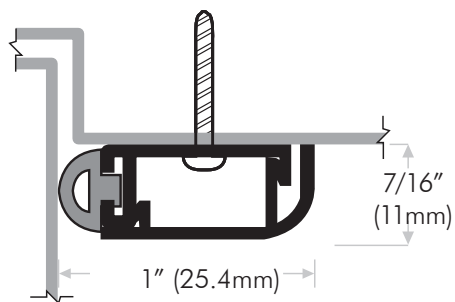
The DS Group Of Companies: Draftseal®, Kristrack®, Eclipse Architectural® & DSD Hardware

DraftSeal®

Commercial Product: Door Weatherseal, Hollow Bulb

DS113N    

Snap-On Cover To Conceal Screws



DS113CN Extruded aluminum clear anodized with silicone insert, black

DS113DN Bronze anodized with silicone insert, black.

Head Office & Manufacturing Centre - Vancouver, Canada

7470 Buller Avenue, Burnaby, B.C. V5J 4S5 Canada

Ph: (604) 451-1080 • Fax: (604) 451-1140 • info@theDSgroup.com • Outside Vancouver, BC use toll free numbers Ph: 1-888-520-9009 Fax: 1-800-567-2887

Branch Offices & Manufacturing Centres

Toronto, Canada & Los Angeles, USA

Eclipse Architectural® Corporate Showrooms

Vancouver & Toronto, Canada • Los Angeles, California & Honolulu, Hawaii USA

THE DS GROUP IS THE BRAND IMAGE OF A.K. DRAFT SEAL LTD.

© COPYRIGHT 2013 • DS GROUP® & DRAFTSEAL®