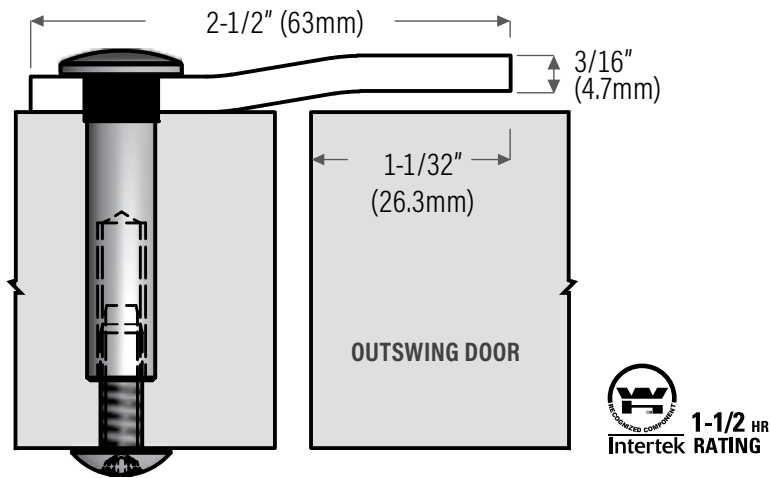


High Security Astragal



DS179PS Steel prime coated, pre-drilled

DS179SS Stainless steel satin finish. Three week delivery. Lengths available: 84" (2134mm), 96" (2438mm) & 120" (3048mm)