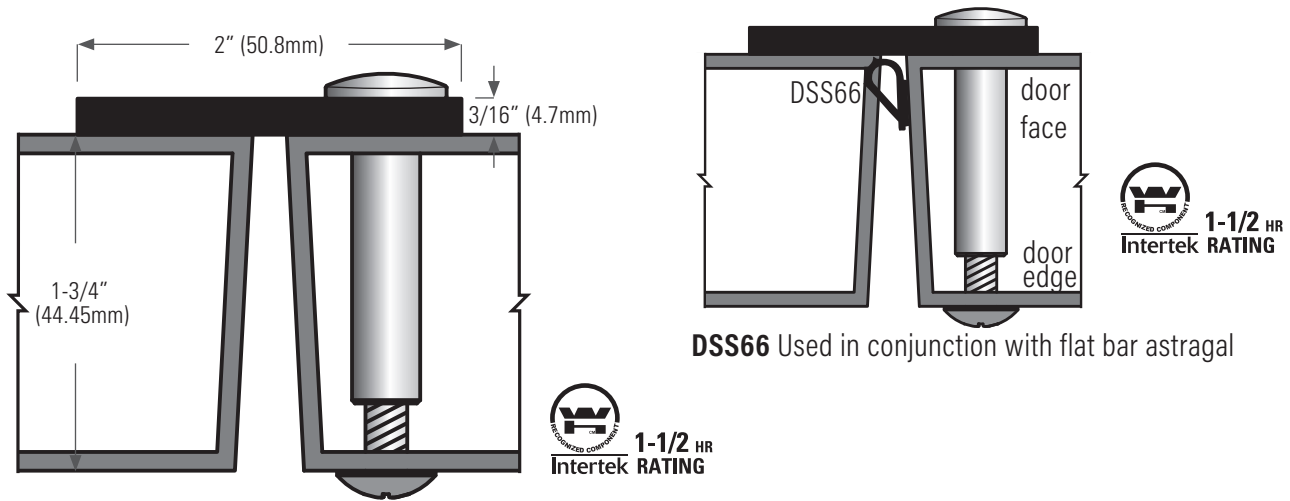


Flat bar astragal, drilled (supplied with thru-bolts)



DS184SSATIN Flat bar, **STAINLESS STEEL**. Lengths available: 84" (2134mm), 96" (2438mm), 144" (3658mm)

DS188-2PS Flat bar, **STEEL** prime coated 2" (51mm) wide. Lengths available: 84" (2134mm), 96" (2438mm), 144" (3658mm)