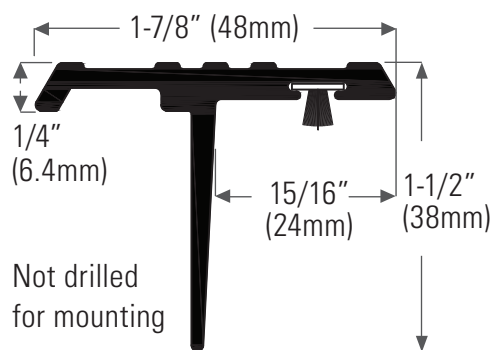


T-Bar Atragal



DS180CP Extruded aluminum clear anodized with pile insert