



www.theDSgroup.com

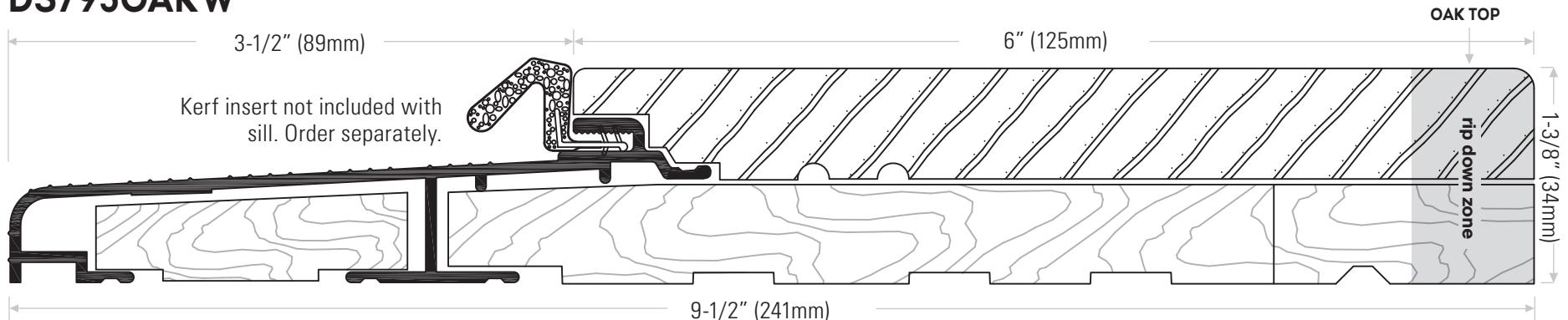
Tomorrow's Innovative Solutions for Today's Doors & Windows

The DS Group Of Companies: Draftseal®, Kristrack®, Eclipse Architectural® & DSD Hardware

DraftSeal®

Residential Product: Outswing Sill, Oak Top

DS795OAKW



DS795AOAKW Extruded aluminum sill, mill finish with interior oak top.
Length available: 150" (3810mm) only. 8-3/4" to 9-1/2" (222mm - 241mm)

DS795DOAKW Bronze anodized with interior oak top. Length available: 150" (3810mm) only. 8-3/4" to 9-1/2" (222mm - 241mm)

DS796AOAKW Extruded aluminum sill, mill finish with interior oak top. Length available: 150" (3810mm) only.

This section may be ripped down to any measurement between 8-3/4" (222mm) & 9-1/2" (241mm) to achieve a custom sill width

Extra wide outswing sill from 9-5/8" to 13-3/8" wide (244mm to 340mm) is custom order. Call for quote.

Head Office & Manufacturing Centre - Vancouver, Canada

7470 Buller Avenue, Burnaby, B.C. V5J 4S5 Canada • www.theDSgroup.com • info@theDSgroup.com

Ph: (604) 451-1080 • Fax: (604) 451-1140 • Outside Vancouver, BC use toll free numbers Ph: 1-888-520-9009 Fax: 1-800-567-2887

Branch Offices & Manufacturing Centres Toronto, Canada & Los Angeles, USA • THE DS GROUP IS THE BRAND IMAGE OF A.K. DRAFT SEAL LTD.

© COPYRIGHT A.K. DRAFT SEAL LTD • This drawing remains the property of A.K. Draft Seal and all its affiliates. The information contained in this drawing is not to be disclosed to any party without written approval from A.K. Draft Seal.