



www.theDSgroup.com

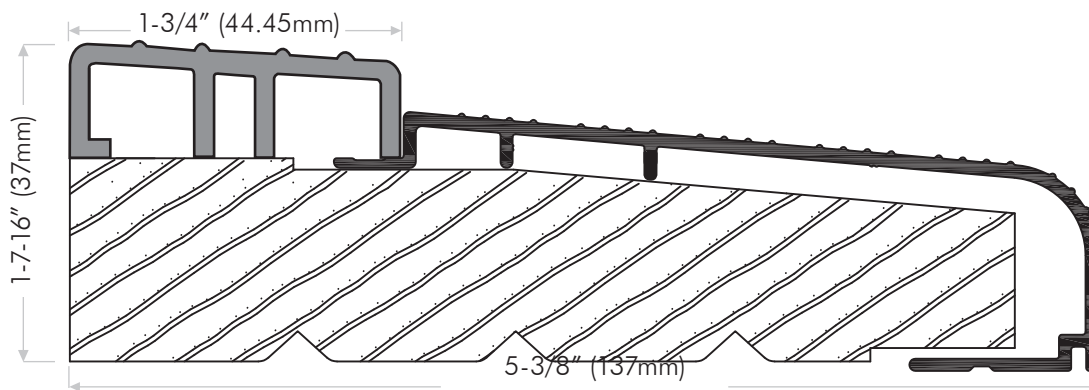
Tomorrow's Innovative Solutions for Today's Doors & Windows

The DS Group Of Companies: Draftseal®, Kristrack®, Eclipse Architectural® & DSD Hardware

DraftSeal®

Residential Product: Inswing Sill, Fixed Vinyl Top

DS512V 



DS512AVT Extruded aluminum sill, mill finish with fixed vinyl top, tan. Length available: 109" (2769mm)

DS512DVBL Bronze anodized with fixed vinyl top, black. Length available: 109" (2769mm)

Head Office & Manufacturing Centre - Vancouver, Canada

7470 Buller Avenue, Burnaby, B.C. V5J 4S5 Canada

Ph: (604) 451-1080 • Fax: (604) 451-1140 • info@theDSgroup.com • Outside Vancouver, BC use toll free numbers Ph: 1-888-520-9009 Fax: 1-800-567-2887

Branch Offices & Manufacturing Centres Toronto, Canada & Los Angeles, USA • THE DS GROUP IS THE BRAND IMAGE OF A.K. DRAFT SEAL LTD.

© COPYRIGHT A.K. DRAFT SEAL LTD • This drawing remains the property of A.K. Draft Seal and all its affiliates. The information contained in this drawing is not to be disclosed to any party without written approval from A.K. Draft Seal.