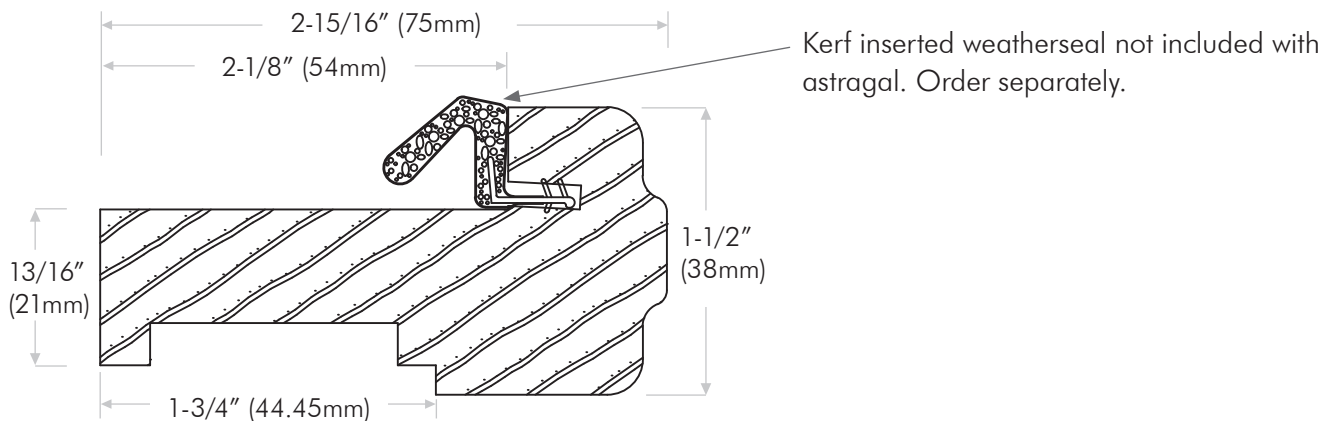


DraftSeal®

Residential Product: Wood Astragal

DS192



DS192C79M Fir clear, machined for flush bolts, both ends. 79" (2007mm) NET

DS192C80M Fir clear, machined for flush bolts, both ends. 80" (2032mm) NET

DS192C84M Fir clear, machined for flush bolts, both ends. 84" (2134mm) NET

DS192C96M Fir clear, machined for flush bolts, both ends. 96" (2438mm) NET

DS192C120 Fir clear, not machined 120" (3048mm)

Head Office & Manufacturing Centre - Vancouver, Canada

7470 Buller Avenue, Burnaby, B.C. V5J 4S5 Canada

Ph: (604) 451-1080 • Fax: (604) 451-1140 • info@theDSgroup.com •

Outside Vancouver, BC use toll free numbers Ph: 1-888-520-9009 Fax: 1-800-567-2887

Branch Offices & Manufacturing Centres Toronto, Canada & Los Angeles, USA

THE DS GROUP IS THE BRAND IMAGE OF A.K. DRAFT SEAL LTD.

© COPYRIGHT A.K. DRAFT SEAL LTD

This drawing remains the property of A.K. Draft Seal and all its affiliates. The information contained in this drawing is not to be disclosed to any party without written approval from A.K. Draft Seal.