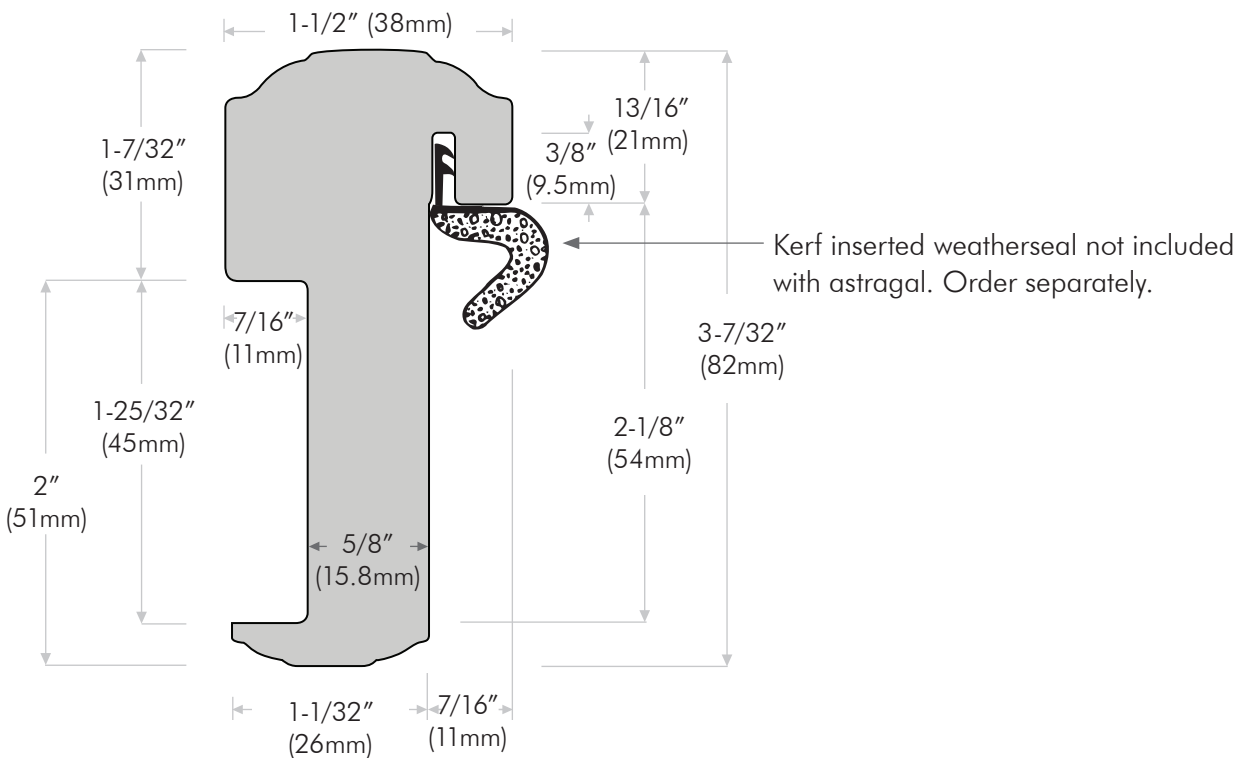


DraftSeal®

Residential Product: Wood Composite Astragal



- DS193SW79M** Astragal (composite) smooth white finish. Machined for flushbolts, top and bottom. 79" (2007mm)
- DS193SW80M** Astragal (composite) smooth white finish. Machined for flushbolts, top and bottom. 80" (2032mm)
- DS193SW96M** Astragal (composite) smooth white finish. Machined for flushbolts, top and bottom. 96" (2438mm)
- DS193GRAIN79M** Astragal (composite) wood grain finish. Machined, for flushbolts, top and bottom. 79" (2007mm)
- DS193GRAIN80M** Astragal (composite) wood grain finish. Machined for flushbolts, top and bottom. 80" (2032mm)
- DS193GRAIN96M** Astragal (composite) wood grain finish. Machined for flushbolts, top and bottom. 96" (2438mm)

Head Office & Manufacturing Centre - Vancouver, Canada

7470 Buller Avenue, Burnaby, B.C. V5J 4S5 Canada
 Ph: (604) 451-1080 • Fax: (604) 451-1140 • info@theDSgroup.com •
 Outside Vancouver, BC use toll free numbers Ph: 1-888-520-9009 Fax: 1-800-567-2887

Branch Offices & Manufacturing Centres Toronto, Canada & Los Angeles, USA
 THE DS GROUP IS THE BRAND IMAGE OF A.K. DRAFT SEAL LTD.

© COPYRIGHT A.K. DRAFT SEAL LTD

This drawing remains the property of A.K. Draft Seal and all its affiliates. The information contained in this drawing is not to be disclosed to any party without written approval from A.K. Draft Seal.