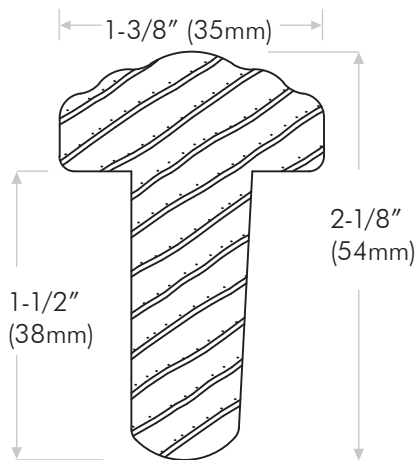


DraftSeal®

Residential Product: Wood Astragal

DS196P

Interior Astragal For Double Doors



DS196P84M1 1-3/8" (35mm) primed fir, machined for flush bolts, top only, both sides. 84" (2134mm)

DS196P84M2 1-3/8" (35mm) primed fir, cut to custom length from 84" (2134mm) piece and machined for flush bolts, both ends (Non handed).

Head Office & Manufacturing Centre - Vancouver, Canada

7470 Buller Avenue, Burnaby, B.C. V5J 4S5 Canada

Ph: (604) 451-1080 • Fax: (604) 451-1140 • info@theDSgroup.com •

Outside Vancouver, BC use toll free numbers Ph: 1-888-520-9009 Fax: 1-800-567-2887

Branch Offices & Manufacturing Centres Toronto, Canada & Los Angeles, USA

THE DS GROUP IS THE BRAND IMAGE OF A.K. DRAFT SEAL LTD.

© COPYRIGHT A.K. DRAFT SEAL LTD

This drawing remains the property of A.K. Draft Seal and all its affiliates. The information contained in this drawing is not to be disclosed to any party without written approval from A.K. Draft Seal.