

# DraftSeal®

Weathersealing Specialists Since 1960



## THRESHOLDS & WEATHERSEALS FOR COMMERCIAL DOOR APPLICATIONS

REFER TO DRAFTSEAL RESIDENTIAL CATALOGUE FOR PRE-HUNG DOOR COMPONENTS: SILLS, SWEEPS, WEATHERSEALS & ASTRAGALS

DraftSeal® Full Line Commercial Catalogue • Revision (5) December 2021

PRINTED CATALOGUE MAY NOT BE UP TO DATE, ALWAYS REFER TO PRODUCT WEBSITE FOR MOST UP TO DATE CONTENT

## ABOUT A.K. DRAFT SEAL LTD. & KRISTRACK

### Tomorrow's Innovative Solutions for Today's Doors & Windows



### Weathersealing Specialists Since 1960 - Weatherstripping, Thresholds, Sweeps & Astragals

**Draft Seal Co.** was founded in 1960 by Anton Kamensek then incorporated in 1973 as **A.K. Draft Seal Ltd.** During the 1990's we became known by our trademark name **DraftSeal®**, the largest manufacturer of weatherstrip products in Western Canada. After his retirement in the early nineties, his son, Chris, who had been with the company since 1973, purchased **DraftSeal®** and started the **KriTrack®** division. The year 2010 marked the 50th year in business for **DraftSeal®** as a manufacturer and supplier of weathersealing and door sill products for commercial and residential applications.

In 2013 we introduced our new DS1 Storm - Sill System to comply with the new building code that requires exterior door sill systems to be tested for air, water and structural. We will be introducing our new DSF1 Accordion Screen, which is integrated with our DS1 Storm - Sill System. Our manufacturing centre in British Columbia, Canada, produces a line of weatherstrip and sill products for the pre-hung door industry as well as a do-it-yourself line of residential weatherstripping for the consumer market.



### Interior Track And Hardware For Sliding, Bifold And Pocket Doors

**KrisTrack®** Manufacturing Ltd., was formed in 1991 to compliment the **DraftSeal®** line of weathersealing and door sill products. **KrisTrack®** manufactures and supplies sliding and bifold door track with accompanying hardware and accessories; applications include residential, commercial and industrial. The year 2016 marked the 25th year in business for **KrisTrack**. Our manufacturing centre in British Columbia, Canada, also produces a line of specialty pocket door frames custom made in knock down, half knock down, and ready-made styles.

### General Information & Terms

This **DraftSeal®** Catalogue supersedes all previous versions. Please visit [www.DraftSeal.com](http://www.DraftSeal.com) for our full terms & conditions, freight, warranty, returns & allowances, claims policy, & other general information.

Product drawings throughout this catalogue are representations of the product size, dimensions, shape, etc. Changes & updates to this catalogue may occur without notice. This may include, but not limited to, specifications, product availability & product materials. A.K. Draft Seal Ltd. will not be held liable for any changes to this catalogue, or products depicted in this catalogue that may not match our CAD drawings.

A.K. Draft Seal Ltd. will not be liable for defects or damages arising from improper installation, product modification, incorrect application or storage of product. Written notice of damages must occur within the warranty period. Liability shall be limited to the replacement of product or component determined to be defective & shall not include costs arising from removal or reinstallation of product. Cost of replacement shall not exceed original purchase price. No other claims will be allowed. In no event shall liability be extended to include punitive, incidental or consequential damages arising from use of A.K. Draft Seal Ltd. products. This is the sole warranty given by A.K. Draft Seal Ltd. No other warranty implied or expressed shall be allowed.

By purchasing our products you agree to our Terms & Conditions herein stated.

# INDEX

PROD #	PAGE #	PROD #	PAGE #	PROD #	PAGE #	PROD #	PAGE #
DSS11	35	DS176	11	DS339	33	DS1003TBA	17
DST33BL	34	DS177	19	DS340	33	DS1100HA	24, 25
DS61-50	43	DS177X4	16	DS341	33	DS1200HC	24, 25
DSS66	40, 35	DS177X5	16	DS342	26	DS1300HA	24, 25
DS67-50	43	DS177X6	16	DS343	33, 26	DS1400HA	24, 25
DS74-25	43	DS178	19	DS344	27	DS2000	10
DS76-12.5	43	DS179	41	DS351	21	DS2002	14
DS78-50	43	DS180	42	DS353	21	DS2220	14
DS79-12.5	43	DS181	42	DS369	39	DS2648	4, 23, 25
DS95	8	DS182	42	DS388	30	DS3330	14
DSS99D	35	DS183	42	DS400	14, 8	DS4000	9
DS100	34	DS184	40	DS401TBA	18	DS4000LA	10
DS103	38, 34	DS185	42	DS415	36	DS4001TBA	14
DS104	34	DS186	41	DS421	43	DS4440	14
DS110	28	DS187PS	41	DS422	37	DS5000	9
DS113	38, 34	DS188	40	DS424	37	DS5001TBA	14
DS116	36	DS200	14	DS434	43	DS5006SS	20
DS117	36	DS201	17	DS444	11, 12	DS5007SS	20
DS118	34	DS202TBA	17	DS444HA	13	DS5555	13
DS120	11	DS205TBI	17	DS500	8	DS6000	9
DS121	11	DS206TBI	14, 15	DS501TBA	18	DS6001TBA	14
DS130	32	DS210	30	DS510SS	10	DS6002TBA	14
DS131	33	DS211	30	DS555HA	13	DS6666	13
DS133	34	DS212	30	DS600	8	DS7000	9
DS136	29	DS216	30	DS600HA	10	DS7001TBA	15
DS137	38	DS217	30	DS601TBA	18	DS7777	13
DS138	29	DS222	11, 12	DS602TBA	18	DS8000	9
DS141	34	DS234	30	DS603TBA	17	DS8001TBA	15
DS140	28	DS236	12	DS606	20	DS9002TBA	15
DS144	28	DS236-4	12	DS666HA	13	DS10002TBA	15
DS147	38	DS275TBAT	17	DS700	8	DS11000	22, 23
DS148	38, 31	DS276TBAT	17	DS700HA	10	DS12000	22, 23
DS149	31	DS277X6	16	DS701TBA	18	DS13000	22, 23
DS150	31	DS277X7	16	DS703TBA	17	DS14000	22, 23
DS151	38	DS277X8	16	DS777HA	13	DS ROD	43
DS156	28	DS385	26	DS800	8	DS FIN-PILE	39
DS158	28	DS386	26	DS800HA	10	DS TAPES	43
DS161	31	DS333	11, 12	DS801TBA	18		
DS162	31	DS335	27	DS803TBA	17		
DS163	38	DS336	27	DS804TBA	17		
DS164	31	DS338	33	DS900HA	24, 25		
DS166	31			DS903TBA	17		
DS174	33			DS1000HA	24, 25		

### General Information & Terms

This DraftSeal® Catalogue supersedes all previous versions. Please visit [www.DraftSeal.com](http://www.DraftSeal.com) for our full terms & conditions, freight, warranty, returns & allowances, claims policy, & other general information.

### Ordering

Please order material by catalogue number, specifying length required & number of pieces. Most weatherseals & thresholds are stocked in standard sizes & most are available in lengths up to 12 ft (3657mm). Thresholds are cut with 1/2" (12.7mm) to 1" (25.4mm) extra for trimming to size. For exact size, order threshold or weatherseal to specified length followed by "NET".

Thresholds ordered under 36" (914mm) will be charged as 36" (914mm).

Products ordered over 6 ft. (189mm) but under 9 ft. (2743mm) will be charged as 9 ft. (2743mm).

Products ordered over 9 ft. (2743mm) but under 12 ft. (3658mm) will be charged as 12 ft. (3658mm).

**Please refer to DraftSeal full line price list for all product numbers, finishes, lineals, lengths & coil lengths.**

### Threshold Lengths

Thresholds are supplied with punched countersunk holes with screws and plugs and are only available in the following NET lengths:

**36-1/2" (927mm), 49" (1245mm), 73" (1854mm), 110" (2794mm), 147" (3734mm) stock length.**

Extra wide thresholds 9" (229mm) and over are supplied punched unless otherwise specified.

### Jamb & Header Weatherseal Lengths

Weatherseals are supplied with punched holes and screws and are only available in the following NET lengths / sets:

**1/3' x 2/7' (914 x 2134mm) set, 1/3' x 2/8' (914 x 2438 mm) set, 1/6' x 2/7' (1829 x 2134mm) set, 3 x 8' (2438mm) set & 1 x 14' (4267mm) length**

### Door Bottom Sweep Lengths

Door bottom sweeps are supplied with punched holes and screws and are only available in the following NET lengths:

**36" (914mm), 48" (1219mm), 84" (2134mm) & 96" (2438mm)**

### PVC Protective Tape



**DS2648** PVC protective tape, apply to any sill or threshold. Purchase by roll. 6" (154mm), 8" (203mm), 12" (304mm) widths, 500' roll each.

**Materials, Finishes & Fabrication**

**Aluminum**

All aluminum extrusions are alloy 6063T5 & are furnished in mill finish (A). Some are available in clear anodized (C), bronze anodized (D).

**Vinyl Inserts (flexible)**

All cold temperature vinyl (p.v.c.) inserts are extruded from pure vinyl raw material.

**TPE (T) inserts (flexible)**

Some inserts are available in thermal plastic elastomer material. This TPE material has low temperature flexibility (remains flexible down to -80° Fahrenheit (-62° Celsius). It has excellent U.V. stability & resistance to compression set. It is designed for applications requiring non flammability. It also has good chemical resistance to alcohols, acids & bases.

**Neoprene (Neoprene spec applies to certain products)**

Synthetic rubber polymer blend: Polychloroprene & EPDM, very good abrasion resistance, tensile strength & memory, flame & moisture resistant. Temperature range -30° to 250° Fahrenheit (-34° to 121° Celsius). Good resistance to ozone, sunlight & aging; BHMA Certified to ANSI/BHMA A156.22 performance tests for Heat, Cold, Air Infiltration & Smoke Infiltration.

**Silicone (Silicone spec applies to certain products)**

Synthetic rubber polymer: Polysiloxane. Excellent flexibility & memory, flame & moisture resistant. Temperature range -100°F to 500°F, remains flexible at extreme temperatures. Excellent resistance to ozone, UV & aging. Recommended for areas using FM200 or Halon Fire Suppression Systems. BHMA Certified to ANSI/BHMA A156.22 performance tests for Heat, Cold, Air Infiltration & Smoke Infiltration.

**Vinyl (rigid)**

All PVC rigid profiles are extruded from PVC raw materials & are available in Solid Brown (B), White (W), Grey (G), Black (BL) & Sandstone (S) as indicated. Some profiles are extruded as Dual Durometer (flexible & rigid PVC fused together).

**Screws**

All thresholds are punched & countersunk for #10 Robertson flat head wood screws. Plated screws & plastic anchors of appropriate length are furnished with all aluminum & oak thresholds free of charge. All aluminum weatherseals are punched with slotted holes for #6 quad truss head self drilling screw. Plated screws of appropriate length are furnished with all weatherseals free of charge. Antique bronze-plated screws of appropriate length are furnished with all bronze anodized weatherseals & thresholds free of charge. Yellow zinc screws supplied with gold anodized & bright dip gold products.

**Standard Finishes**

- |                                   |                                 |
|-----------------------------------|---------------------------------|
| <b>A</b> Mill finish aluminum     | <b>W</b> Painted white aluminum |
| <b>C</b> Clear anodized aluminum  | <b>B</b> Painted brown aluminum |
| <b>D</b> Bronze anodized aluminum | <b>SS</b> Stainless steel       |

**Inserts**

- |                             |   |
|-----------------------------|---|
| <b>N</b> Neoprene or rubber | <b>S</b> Silicone seal or sponge silicone |
| <b>NB</b> Nylon brush       | <b>V</b> Vinyl                            |
| <b>P</b> Pile               | <b>T</b> TPE (Thermoplastic elastomer)    |
| <b>R</b> Sponge neoprene    |   |

**Insert Colors**

- |              |       |
|--------------|-------|
| <b>BEIGE</b> | Beige |
| <b>GREY</b>  | Grey  |
| <b>BL</b>    | Black |
| <b>TAN</b>   | Tan   |

**Fabrication Options**

**RIP:** Width || **L-NOTCH:** Both ends of threshold | **U-NOTCH:** Both ends of threshold

**Custom Fabrication**

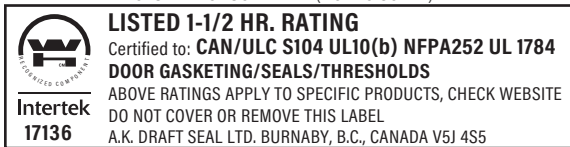
Charges will apply for any ripping of thresholds, custom fabrication, custom drilling or punch pattern.

## Product Testing & Classification Symbols

Symbols below & throughout this 2022 Catalogue are most up-to date & supersede all other information in print.

The Symbols below are shown adjacent to products throughout the catalogue to help identify products that meet specific ratings and/or code requirements. The 2 actual adhesive backed labels shown below are adhered to each of our rated products.

ACTUAL PRODUCT LABEL (NOT TO SCALE)



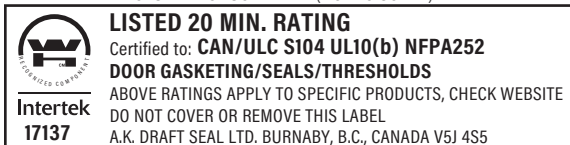
Tested in accordance with CAN/ULC S104, ASTM E-152, CFSM 43.7, NFPA 252-08, UBC 7-2-1997, UL 1784 (Formerly UBC 43-2-1991), UL 10(b) (2008).  
Listed for Canada & USA - Fire Rated

Products indicated by this symbol are rated, listed & labelled as material for use on listed steel frames & listed swinging type fire doors of the hollow metal or steel covered composite type rated up to 1-1/2 hours. These products have been listed & labelled as a result of testing done by Warnock Hersey certifying that these products do not adversely affect the fire resistance of the door or frame. Products are regularly checked under the follow up factory inspection & certification service for manufacturing compliance with Warnock Hersey specifications. Contact A.K. Draft Seal Ltd. for further information.



Tested in accordance with UL 10(b) (2009) - Fire Tests of Door Assemblies, and CAN/ULC S104-10 - Standard Method for Fire Tests of Door Assemblies.

ACTUAL PRODUCT LABEL (NOT TO SCALE)



Tested in accordance with CAN/ULC S104, ASTM E-152, CFSM 43.7, NFPA 252-08, UBC 7-2-1994 (Formerly UBC 43-2-1991), UL 10(b) (2008).  
Listed for Canada & USA - Fire Rated

These products have been listed & labelled as a result of testing done by Warnock Hersey certifying that these products do not adversely affect the fire resistance of the door or frame. Products are regularly checked under the follow-up factory inspection & certification service for manufacturing compliance with Warnock Hersey specifications. Contact A.K. Draft Seal Ltd. for further information. Thresholds or sills for use with listed wood frames & listed swinging type doors of wood or steel faced construction, 20 minute rated. Gasketing material for use on listed wood or steel frames & listed swinging type fire doors of wood or steel faced construction, 20 minute rated.



**Smoke Tested** to UL: 1784 (2015). Meets requirements for NFPA 105. Products indicated by this symbol are listed by Intertek as having been tested in accordance with Standard UL 1784 Air leakage tests of door assemblies, and meet the performance criteria for allowable air leakage as specified in NFPA 105 - Installation of Smoke Control Door Assemblies.



**Barrier Free** Meets requirements of ADAAG - 1998 & ICC / ANSI A177.1-1998. Products indicated by this symbol are access compliant by having installed height differences not over 1/2" (12.7mm) with allowable edge & slope conditions.



**UL10B & CAN4-S104-80M Classified**, Complies with NFPA 80 & NFPA 252 for application to Steel fire doors rated up to 3 Hrs., & Wood type fire doors rated up to 90 minutes. (Rating on some items vary & are noted.)



**Positive Pressure UL10C Classified**, Category 'J'; complies with IBC, NFPA 80 & NFPA 252 for application to Positive Pressure Steel fire doors rated up to 3 Hrs., & Wood type fire doors rated up to 90 minutes. (Ratings on some items vary & are noted.)



**NGP-EDGE® Sealing System**, Category 'G' classified; required for Category B classified wood type fire doors to meet positive pressure requirements complying with IBC, & NFPA 252. See individual products for maximum door size & ratings.



**Smoke & Draft Control Gasketing**, Category 'H' classified; complies with IBC, UL1784 & NFPA 105 for use on 'S' labeled Positive Pressure Steel fire doors rated up to 3 hours, & wood type fire doors rated up to 90 minutes. (Ratings on some items vary & are noted.)



**Acoustical Tested** to ASTM E90 standard test method for laboratory measurement of airborne sound transmission loss of building partitions & elements, & astm e1408 standard test method for laboratory measurement of the sound transmission loss of door panels & door systems.



**Air Infiltration Tested** to ASTM E283, standard test method for determining rate of air leakage through exterior windows, curtain walls, & doors.



Fire Rated 3 Hours



Smoke Tested



UL Rating



Air Infiltration Tested

Thresholds

PRODUCT TYPE	PROFILE EXAMPLE	ADA	RATED PROD. AVAILABLE	PAGE NUMBER
1/2" (12.7mm) rise thresholds				8
1/4" (6.4mm) low rise thresholds				9, 10
Specialty thresholds stainless steel & heavy duty				10
Stop strip & bumper thresholds				11
Floor transition & half thresholds				12
Low rise half & heavy duty half thresholds				13
Low rise thermally broken thresholds & components				14
Low rise thermally broken thresholds				15
Thermally broken thresholds & panic exit thresholds				16, 17
Thermally broken thresholds				18
Panic exit thresholds				19
Ramp thresholds & flat stainless steel thresholds				20
Oak thresholds				21
Specialty low rise thresholds 9" to 14" (229 to 356mm) extra wide				22, 23
Specialty thresholds 9" to 14" (229 to 356mm) extra wide				24, 25

Door Weatherseals, Sweeps, Meeting Stiles, Astragals

PRODUCT TYPE	PROFILE EXAMPLE	RATED PROD. AVAILABLE	PAGE NUMBER
Automatic door bottoms (surface & mortise)			26, 27
Door bottom sweeps			28, 29
Door shoes & door cap cap			30
Rain drips & brush door bottom sweeps			31
Jamb mounted weatherseals & sound seals			32-34
Jamb mounted sound seals			33
Adhesive backed / jamb gasket seals			35
Adhesive backed / jamb weatherseals & intumescent seals			36
Retrofit door weathersealing kits			37
Meeting stiles			38
Meeting stiles & fin pile seals			39
Astragals (flat & t-bar), security			40, 41, 42

Specialty Products

PRODUCT TYPE	PROFILE EXAMPLE	PAGE NUMBER
Multipurpose (neoprene & foam) adhesive backed tapes, fin pile		39, 43
<b>DS2648</b> PVC protective tape, apply to any sill or threshold. Purchase by roll. 6" (154mm), 8" (203mm), 12" (304mm) widths, 500' roll, each		4, 23, 25

Residential Door Products

PRODUCT TYPE	PROFILE EXAMPLE	Refer to DraftSeal residential catalogue
Pre-hung door sill, sweeps, jamb seals, astragals & corner pads		

# THRESHOLDS

## 1/2" (12.7mm) Rise Thresholds

1/2" (12.7mm)

4" (102mm)

**DS400A** Extruded aluminum mill finish  
**DS400D** Bronze anodized

**1-1/2 HR RATING**  
.518 lbs./ft. (.771 kg/m)

1/2" (12.7mm)

5" (127mm)

**DS95A** Extruded aluminum mill finish

**1-1/2 HR RATING**  
.493 lbs./ft. (.734 kg/m)

1/2" (12.7mm)

5" (127mm)

**DS500A** Extruded aluminum mill finish  
**DS500D** Bronze anodized

**1-1/2 HR RATING**  
.606 lbs./ft. (.902 kg/m)

1/2" (12.7mm)

6" (152mm)

**DS600A** Extruded aluminum mill finish  
**DS600D** Bronze anodized

**1-1/2 HR RATING**  
.747 lbs./ft. (1.112 kg/m)

1/2" (12.7mm)

7" (178mm)

**DS700A** Extruded aluminum mill finish  
**DS700D** Bronze anodized

**1-1/2 HR RATING**  
.913 lbs./ft. (1.359 kg/m)

1/2" (12.7mm)

8" (203mm)  
product not shown full width

**DS800A** Extruded aluminum mill finish  
**DS800D** Bronze anodized

**1-1/2 HR RATING**  
1.158 lbs./ft. (1.724 kg/m)

Thresholds on this page are supplied with punched countersunk holes with screws and plugs and are only available in the following NET lengths (except as noted):

36-1/2"	927mm
49"	1245mm
73"	1854mm
110"	2794mm
147"	3734mm



# THRESHOLDS

## 1/4" (6.4mm) Low Rise Thresholds

Thresholds on this page are supplied with punched countersunk holes with screws and plugs and are only available in the following NET lengths (except as noted):

36-1/2"	927mm
49"	1245mm
73"	1854mm
110"	2794mm
147"	3734mm

1/4" (6.4mm)  
4" (102mm)

**DS4000A** Extruded aluminum mill finish  
**DS4000D** Bronze anodized

Intertek 1-1/2 HR RATING  
Accessibility icon  
.598 lbs./ft. (.890 kg/m)

1/4" (6.4mm)  
5" (127mm)

**DS5000A** Extruded aluminum mill finish  
**DS5000D** Bronze anodized

Intertek 1-1/2 HR RATING  
Accessibility icon  
.712 lbs./ft. (1.06 kg/m)

1/4" (6.4mm)  
6" (152mm)

**DS6000A** Extruded aluminum mill finish  
**DS6000D** Bronze anodized

Intertek 1-1/2 HR RATING  
Accessibility icon  
.835 lbs./ft. (1.243 kg/m)

1/4" (6.4mm)  
7" (178mm)

**DS7000A** Extruded aluminum mill finish  
**DS7000D** Bronze anodized

Intertek 1-1/2 HR RATING  
Accessibility icon  
.954 lbs./ft. (1.42 kg/m)

1/4" (6.4mm)  
8" (203mm)  
product not shown full width

**DS8000A** Extruded aluminum mill finish  
**DS8000D** Bronze anodized

Intertek 1-1/2 HR RATING  
Accessibility icon  
1.1047 lbs./ft. (1.638 kg/m)

# THRESHOLDS

## Specialty Thresholds

**DS2000A** Extruded aluminum mill finish  
**DS2000D** Bronze anodized

1-1/2 HR  
 Intertek RATING  
 .259 lbs./ft. (.386 kg/m)

**DS4000LA** Extruded aluminum mill finish. Holes are punched & staggered when specified.  
 Length available: 12ft (3658mm) only. **Note: Special order only, minimum run required 1500LF**

1-1/2 HR  
 Intertek RATING  
 .346 lbs./ft. (.515 kg/m)

Thresholds on this page are supplied with punched countersunk holes with screws and plugs and are only available in the following NET lengths (except as noted):

36-1/2"	927mm
49"	1245mm
73"	1854mm
110"	2794mm
147"	3734mm

## Stainless Steel

**DS510SS** Stainless steel, 304 SS brushed finish. Lengths available: 36-1/2" (927mm) 73" (1854mm) 120" (3048mm).

1-1/2 HR  
 Intertek RATING

## Heavy Duty (H) Thresholds (Mill finish is standard. Bronze anodized available on custom order)

**DS600HA** Extruded aluminum heavy duty, mill finish

1-1/2 HR  
 Intertek RATING  
 1.312 lbs./ft. (1.952 kg/m)

**DS700HA** Extruded aluminum heavy duty, mill finish

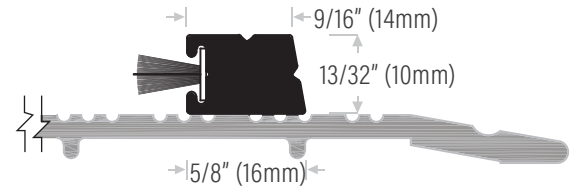
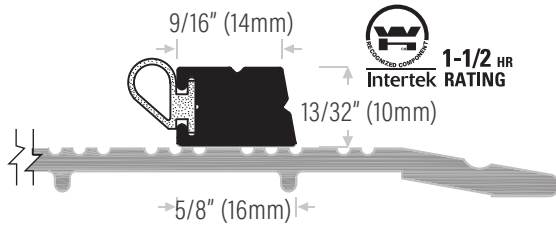
1-1/2 HR  
 Intertek RATING  
 1.38 lbs./ft. (2.054 kg/m)

**DS800HA** Extruded aluminum heavy duty, mill finish  
 product not shown full width

1-1/2 HR  
 Intertek RATING  
 1.662 lbs./ft. (2.473 kg/m)

# THRESHOLDS

## Stop Strip (Threshold Applied)

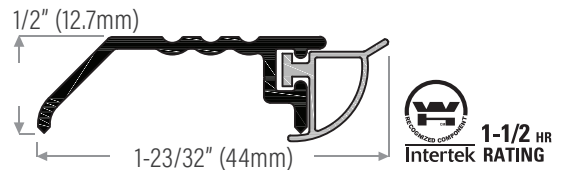
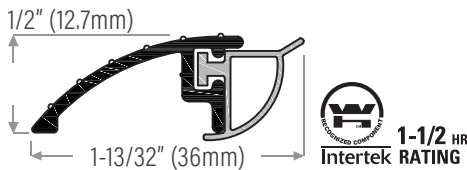


**DS176AT** Extruded aluminum mill finish with TPE (T) insert, black, rated (Threshold not included, order separately)

**DS176AP** Extruded aluminum mill finish with pile insert, grey, **not rated**. Threshold not included, order separately

Bumper strip may be fastened to various DS thresholds to accommodate vertical rod panic hardware, where wide panic exit thresholds are required.

## Bumper Thresholds

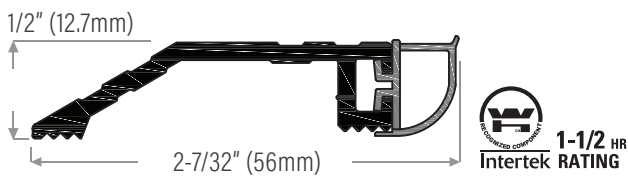


**DS121AV** Extruded aluminum mill finish with vinyl insert, grey  
**DS121AVBL** Mill finish with vinyl insert, black  
**DS121WV** White with grey insert  
**DS121BVBL** Brown with black insert

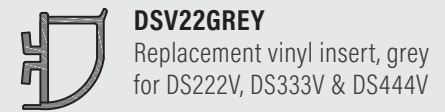
**DS120AV** Extruded aluminum mill finish with vinyl insert, grey  
**DS120AVBL** Mill finish with black insert  
**DS120DVBL** Bronze anodized with black insert



**DSV20GREY**  
Replacement vinyl insert, grey for DS120, DS121 & DS121  
**DSV20BL** Black



**DS222AV** Extruded aluminum mill finish with vinyl insert, grey  
**DS222DV** Bronze anodized



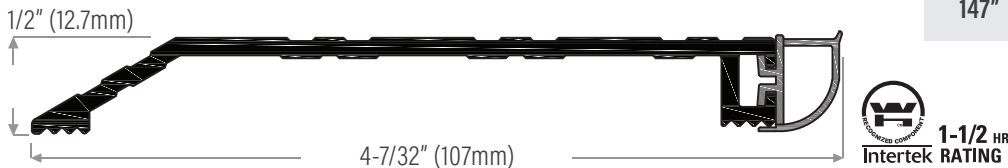
**DSV22GREY**  
Replacement vinyl insert, grey for DS222V, DS333V & DS444V



**DS333AV** Extruded aluminum mill finish with vinyl insert, grey  
**DS333DV** Bronze anodized

Thresholds on this page are supplied with punched countersunk holes with screws and plugs and are only available in the following NET lengths (except as noted):

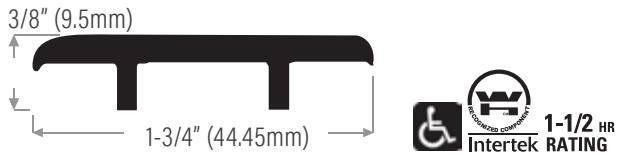
36-1/2"	927mm
49"	1245mm
73"	1854mm
110"	2794mm
147"	3734mm



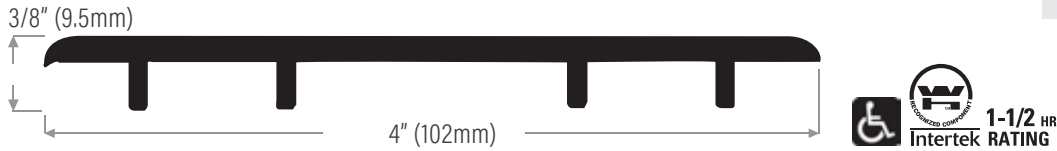
**DS444AV** Extruded aluminum mill finish with vinyl insert, grey  
**DS444DV** Bronze anodized

# THRESHOLDS

## Floor Transition Thresholds



**DS236A** Extruded aluminum mill finish  
**DS236D** Bronze anodized

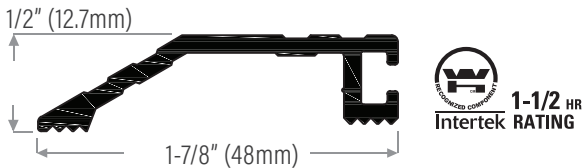


**DS236-4A** Extruded aluminum mill finish  
**DS236-4D** Bronze anodized

Floor transition thresholds on this page are supplied with punched countersunk holes with screws and plugs and are only available in the following NET lengths:

36-1/2"	927mm
73"	1854mm

## Half Thresholds



**DS222A** Extruded aluminum mill finish  
**DS222D** Bronze anodized



Barrier free, ADA compliant if used as above



**DS333A** Extruded aluminum mill finish  
**DS333D** Bronze anodized

Half thresholds on this page are supplied with punched countersunk holes with screws and plugs and are only available in the following NET lengths (except as noted):

36-1/2"	927mm
49"	1245mm
73"	1854mm
110"	2794mm
147"	3734mm

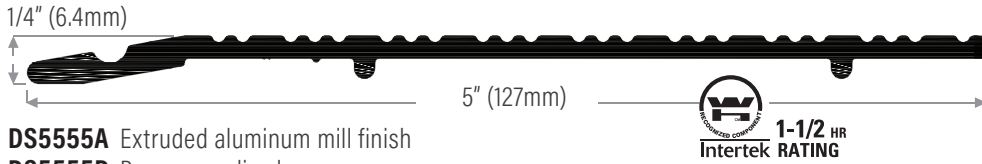


**DS444A** Extruded aluminum mill finish  
**DS444D** Bronze anodized

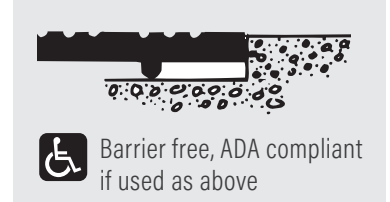
# THRESHOLDS

**Low Rise Half Thresholds** **NOTE:** Thresholds on this page are non-returnable. Manufacturing time required for bronze anodized finish.

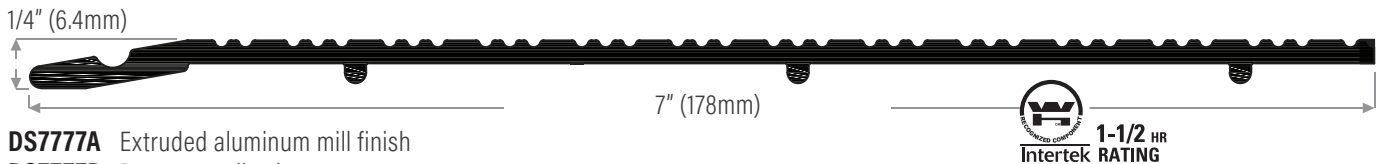
Thresholds on this page are supplied with punched countersunk holes with screws and plugs and are only available in these NET lengths (except as noted): 36-1/2" (927mm), 110" (2794mm), 49" (1245mm), 147" (3734mm) & 73" (1854mm)



**DS5555A** Extruded aluminum mill finish  
**DS5555D** Bronze anodized



**DS6666A** Extruded aluminum mill finish  
**DS6666D** Bronze anodized

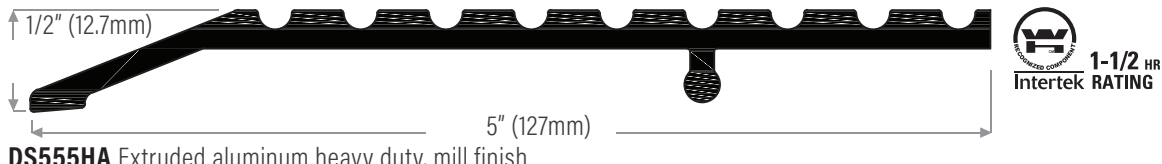


**DS7777A** Extruded aluminum mill finish  
**DS7777D** Bronze anodized

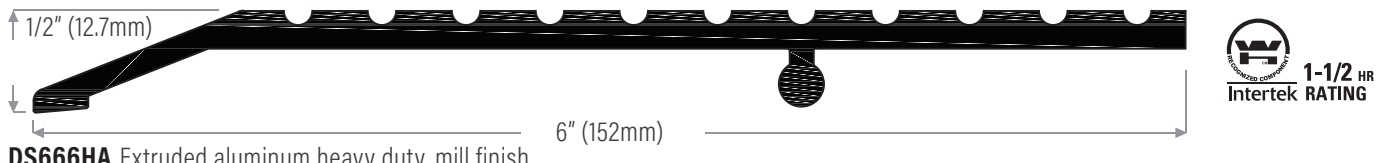
## Heavy Duty Half Thresholds



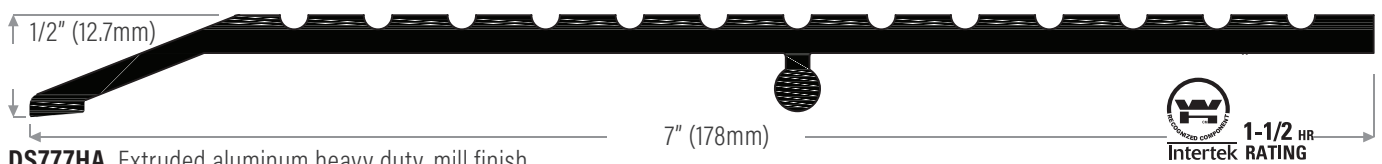
**DS444HA** Extruded aluminum heavy duty, mill finish



**DS555HA** Extruded aluminum heavy duty, mill finish



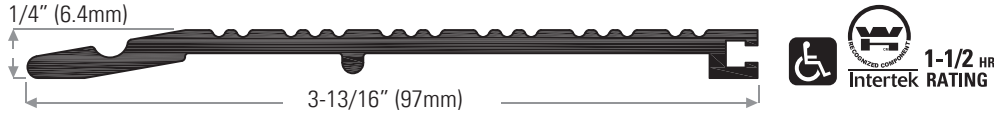
**DS666HA** Extruded aluminum heavy duty, mill finish



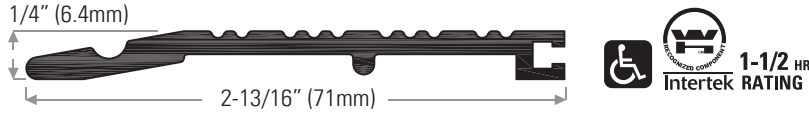
**DS777HA** Extruded aluminum heavy duty, mill finish

# THRESHOLDS

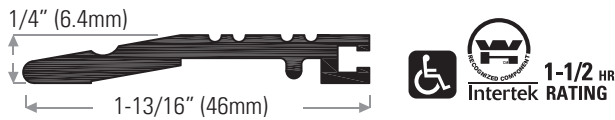
## Low Rise Half Thresholds / Components



**DS4440A** Extruded aluminum mill finish



**DS3330A** Extruded aluminum mill finish

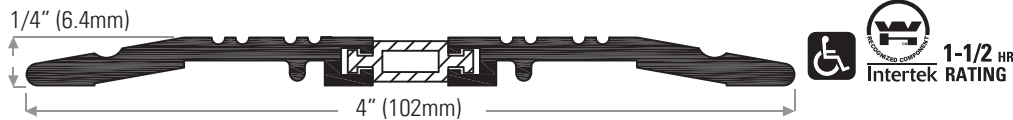


**DS2220A** Extruded aluminum mill finish

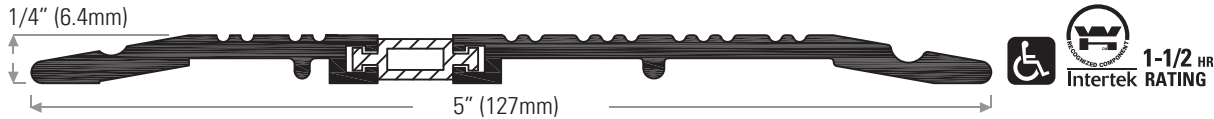
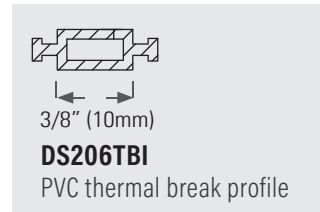


**DS2002A** Extruded aluminum mill finish

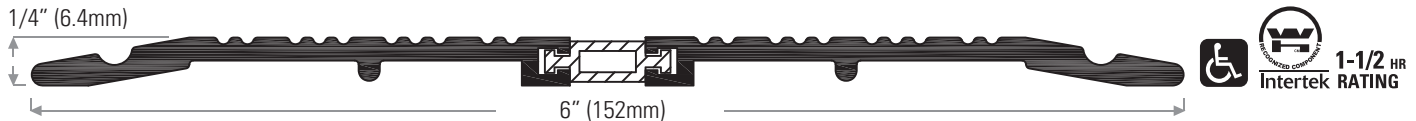
## Thermally Broken 1/4" (6.4mm) Low Rise Thresholds



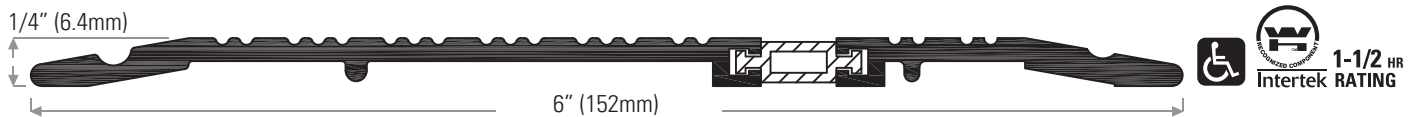
**DS4001TBA** Extruded aluminum mill finish, thermally broken



**DS5001TBA** Extruded aluminum mill finish, thermally broken



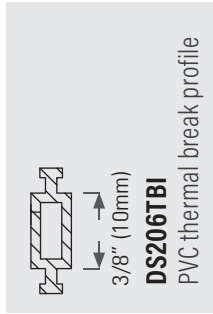
**DS6001TBA** Extruded aluminum mill finish, thermally broken



**DS6002TBA** Extruded aluminum mill finish, thermally broken

# THRESHOLDS

## Thermally Broken 1/4" (6.4mm) Low Rise Thresholds



1/4" (6.4mm)

7" (178mm)

**DS7001TBA** Extruded aluminum mill finish, thermally broken

1/4" (6.4mm)

8" (203mm)

**DS8001TBA** Extruded aluminum mill finish, thermally broken

1/4" (6.4mm)

9" (229mm)

**DS9002TBA** Extruded aluminum mill finish, thermally broken


1/4" (6.4mm)

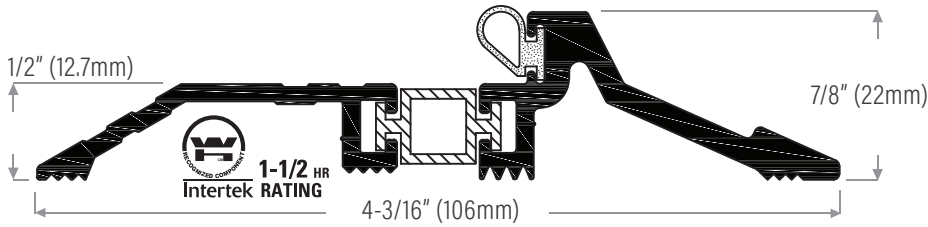
10" (254mm)

**DS10002TBA** Extruded aluminum mill finish, thermally broken

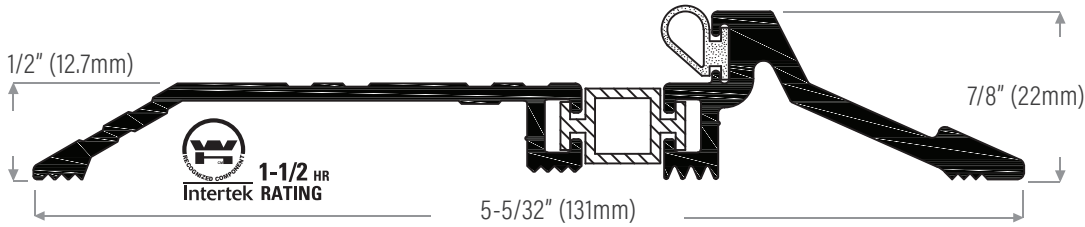
# THRESHOLDS

## Latching Panic Exit, Thermally Broken (TB) Thresholds

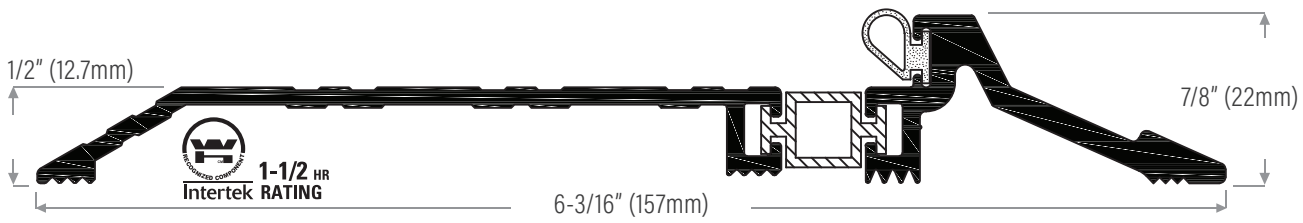
 **DST17BL**  
Replacement  
TPE (T) insert,  
black



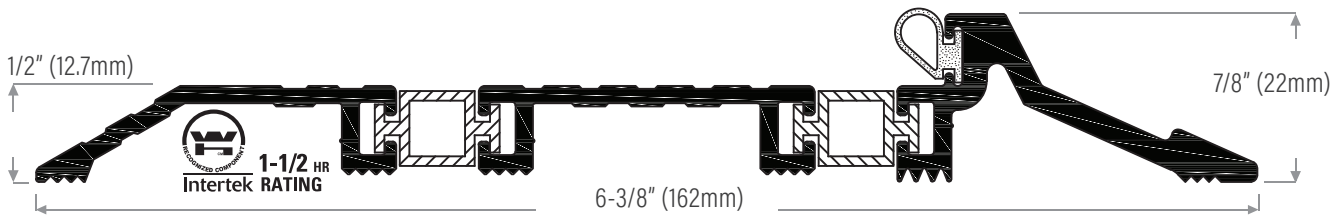
**DS177X4TBAN** Mill finish with vinyl thermal break & TPE (T) insert, black (rated)



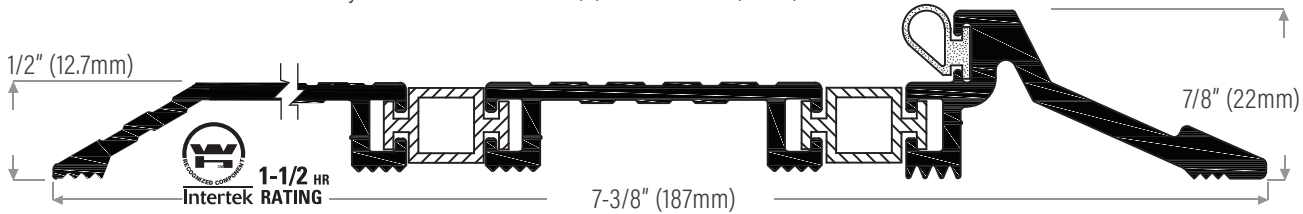
**DS177X5TBAN** Mill finish with vinyl thermal break & TPE (T) insert, black (rated)



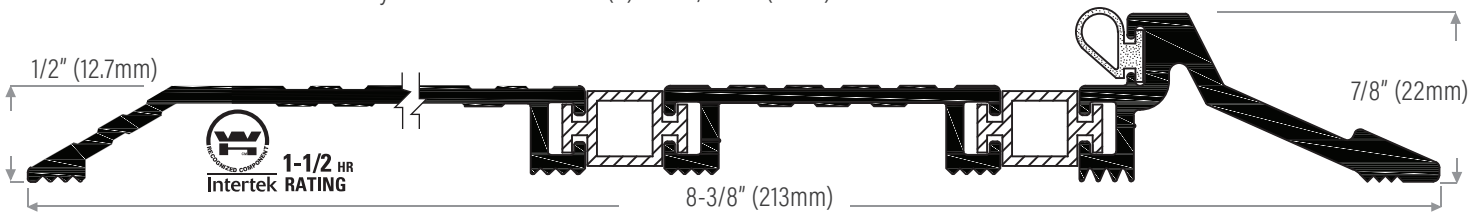
**DS177X6TBAN** Mill finish with vinyl thermal break & TPE (T) insert, black (rated)



**DS277X6TBAT** Mill finish with vinyl thermal break & TPE (T) insert, black (rated)



**DS277X7TBAT** Mill finish with vinyl thermal break & TPE (T) insert, black (rated)

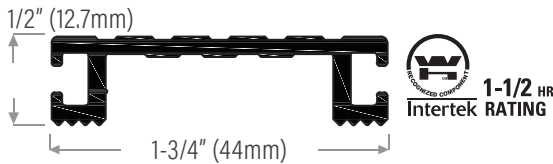


**DS277X8TBAT** Mill finish with vinyl thermal break & TPE (T) insert, black (rated)

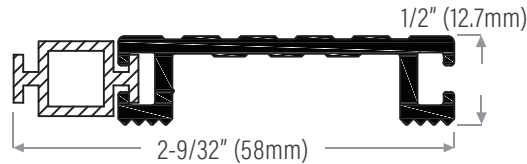


# THRESHOLDS

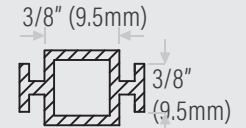
## Thermally Broken Threshold Components



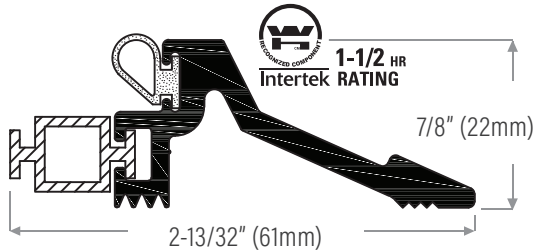
**DS201A** Extruded aluminum mill finish  
**DS201D** Bronze anodized



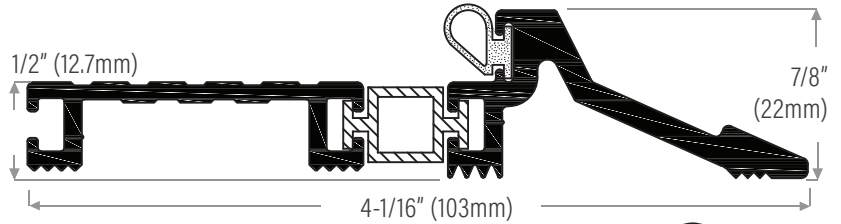
**DS202TBA** Extruded aluminum mill finish with thermal break insert



**DS205TBI** Extruded rigid pvc vinyl insert, grey, for thermally broken thresholds



**DS275TBAT** Extruded aluminum mill finish with vinyl thermal break insert & TPE (T) insert



**DS276TBAT** Extruded aluminum mill finish with vinyl thermal break insert & TPE (T) insert

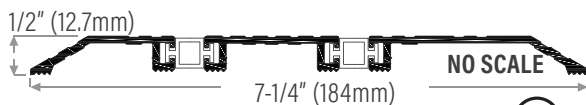


## Thermally Broken Thresholds



**DS603TBA** Extruded aluminum mill finish with 2 thermal breaks

**NOTE:** By adding multiples of **DS202TBA**, wider thresholds may be achieved, consult factory. By adding **DS275TBA** (Panic Stop), wider Panic Thresholds may be achieved, consult factory.



**DS703TBA** Extruded aluminum mill finish with 2 thermal breaks, 7-1/4" (184mm) wide



**DS803TBA** Extruded aluminum mill finish with 2 thermal breaks, 8-1/4" (209mm) wide



**DS804TBA** Extruded aluminum mill finish with 2 thermal breaks, 8-1/4" (209mm) wide  
**DS804TBD** Bronze anodized



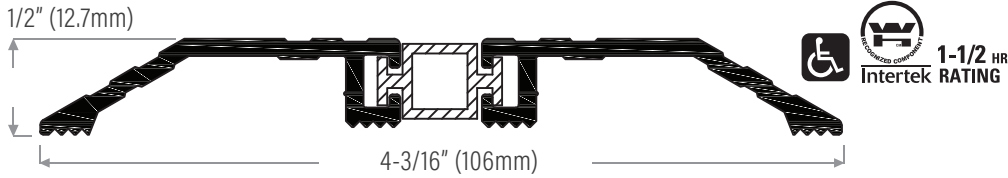
**DS903TBA** Extruded aluminum mill finish with 2 thermal breaks, 9-1/4" (235mm) wide



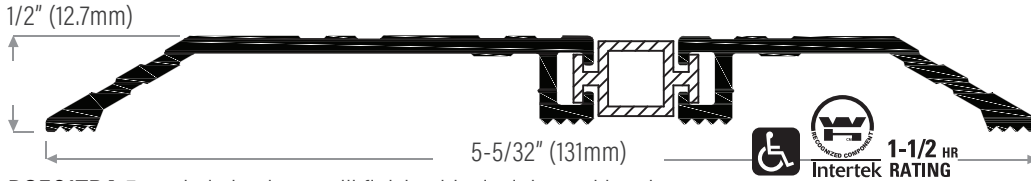
**DS1003TBA** Extruded aluminum mill finish with 2 thermal breaks, 10-1/4" (260mm) wide

# THRESHOLDS

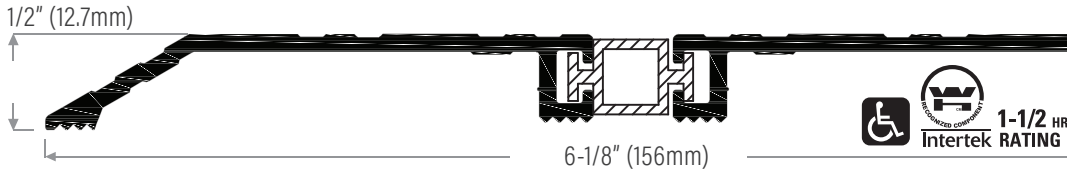
## Thermally Broken Thresholds 1/2" (12.7mm) Rise



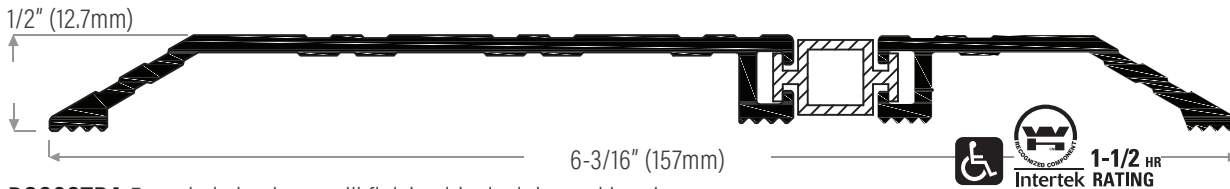
**DS401TBA** Extruded aluminum mill finish with vinyl thermal break



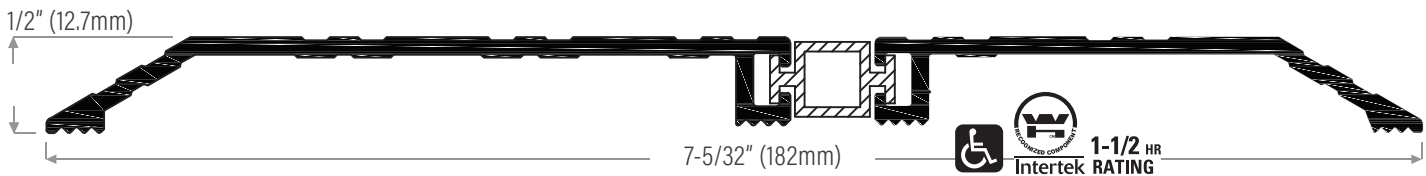
**DS501TBA** Extruded aluminum mill finish with vinyl thermal break



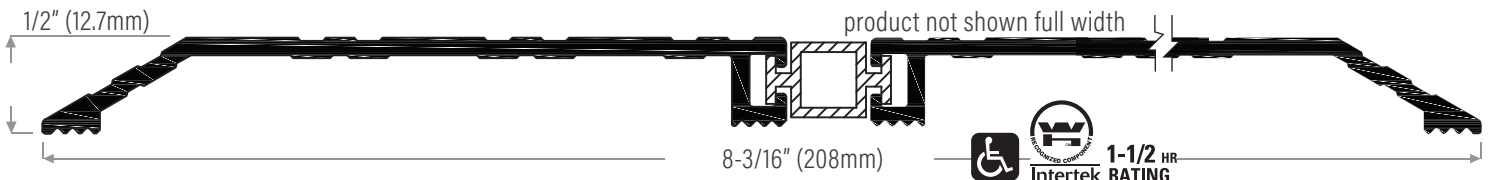
**DS601TBA** Extruded aluminum mill finish with vinyl thermal break



**DS602TBA** Extruded aluminum mill finish with vinyl thermal break



**DS701TBA** Extruded aluminum mill finish with vinyl thermal break



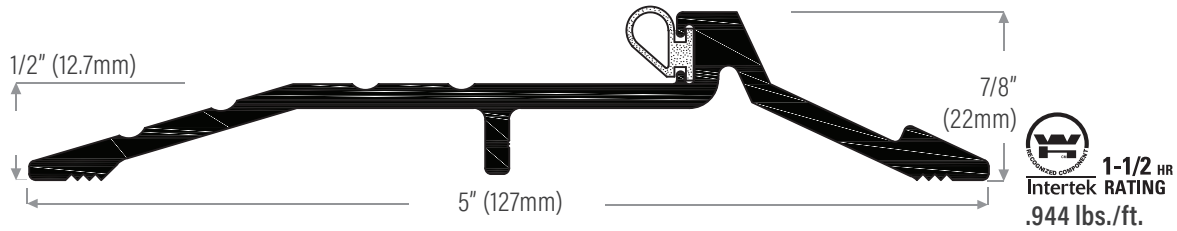
**DS801TBA** Extruded aluminum mill finish with vinyl thermal break

Thresholds on this page are supplied with countersunk holes with screws and plugs and are only available in the following NET lengths (except as noted):

36-1/2"	927mm
49"	1245mm
73"	1854mm
110"	2794mm
147"	3734mm

# THRESHOLDS

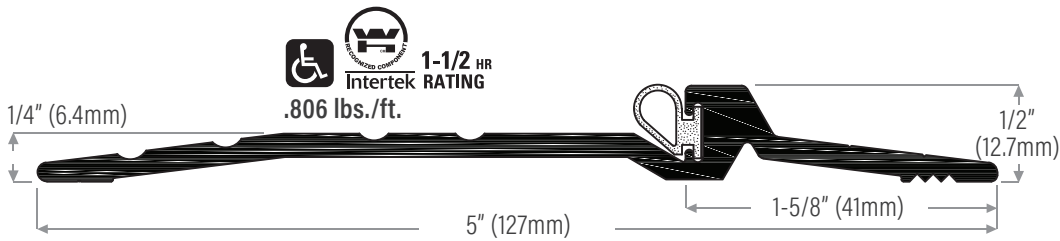
## Latching Panic Exit Thresholds



**DST17BL**  
Replacement TPE (T) insert black, for DS177 & DS178

**DS177AT** Mill finish with TPE (T) insert, black (rated)

**DS177DT** Bronze with TPE (T) insert, black (rated)

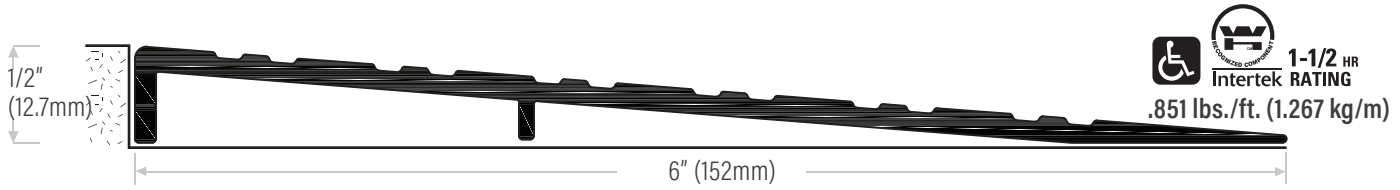


**DS178AT** Mill finish with TPE (T) insert, black (rated)

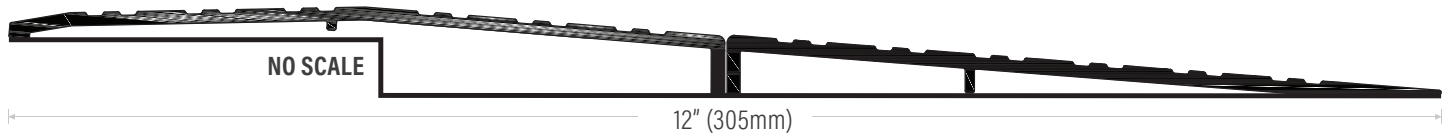
**DS178DT** Bronze with TPE (T) insert, black (rated)

# THRESHOLDS

## Ramp Thresholds



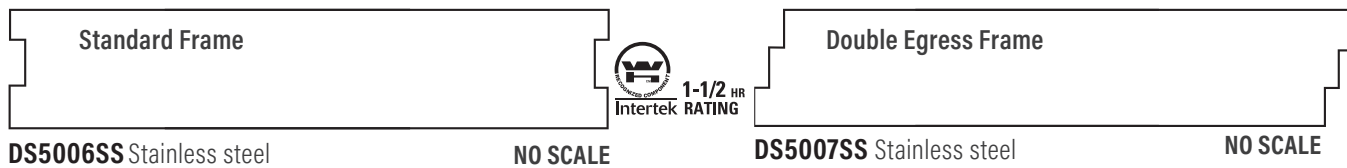
**DS606A** Extruded aluminum mill finish  
**Note: Max 6' only**



**DS605DS606A36** Extruded aluminum (2 piece ramp joined)  
**Note: Special order only. Max 6' only.**  
 Aprox. 10 week production

## Flat Thresholds, Stainless Steel (Custom order, manufacturing time)

Available in 304 stainless steel 14 gauge with a #4 brushed finish. Drawings showing sizes, end notch outs & mounting holes (if needed) are required with order.



**DS5006SS** Stainless steel

NO SCALE

**DS5007SS** Stainless steel

NO SCALE

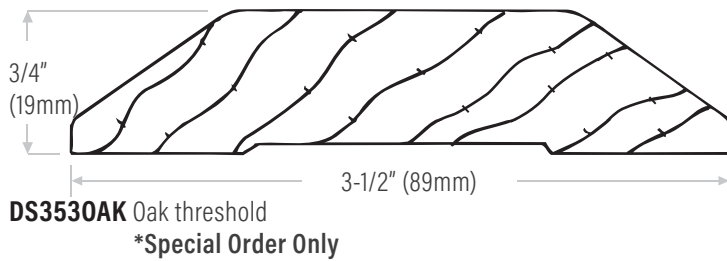
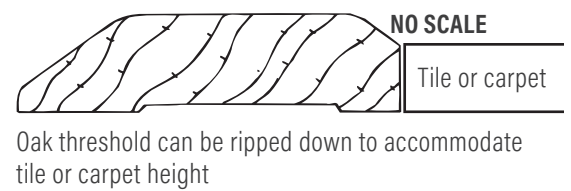
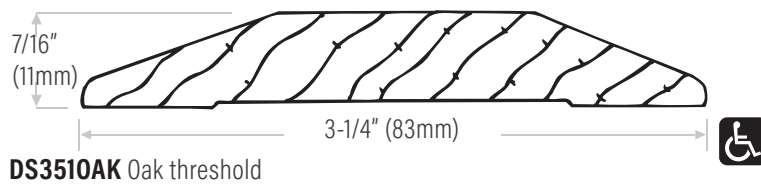
**\*Special Order Only**  
**4-6 weeks**

# THRESHOLDS

## Oak Thresholds

**ALL OAK PROFILES SHOWN ON THIS PAGE CAN BE RIPPED FOR CUSTOM APPLICATIONS.**

#10 Antique Bronze plated Robertson flat head wood screws & plastic anchors of appropriate length are supplied with all DraftSeal oak thresholds. All oak thresholds are supplied not drilled unless drilling instructions are specified with order.



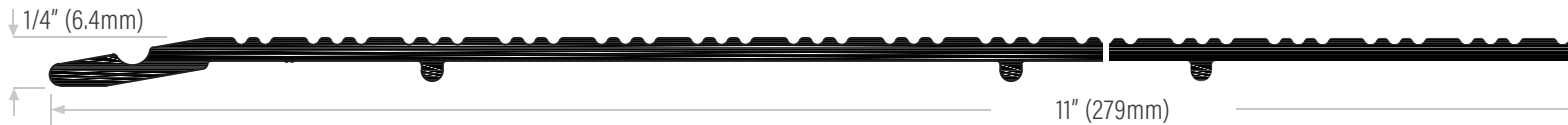
# THRESHOLDS

## Low Rise Extra Wide Thresholds

**NOTE:** Thresholds on this page are non-returnable. Manufacturing time required for bronze anodized finish. Bronze anodized only available up to 12 ft (3658mm).



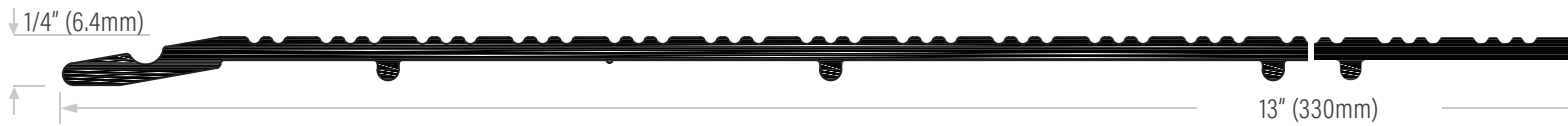
**DS10001A** (1 piece) extruded aluminum mill finish  
**DS10001D** (1 piece) bronze anodized



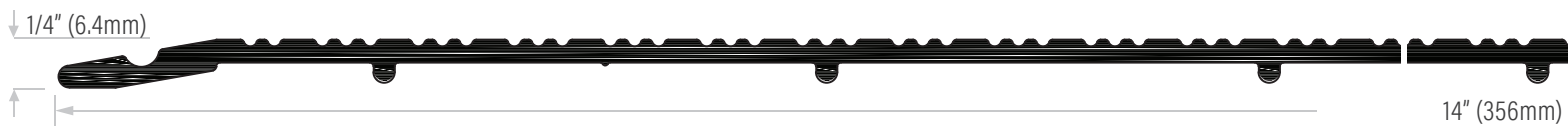
**DS11000A** (2 piece) extruded aluminum mill finish, not welded



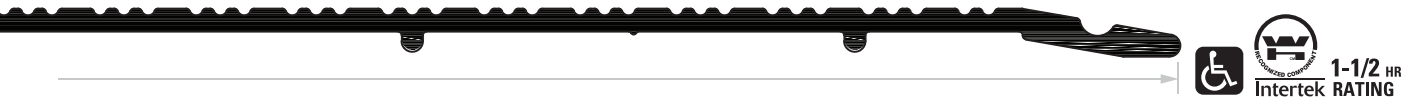
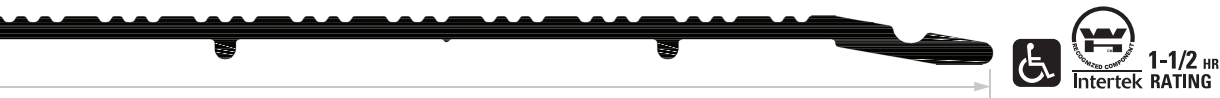
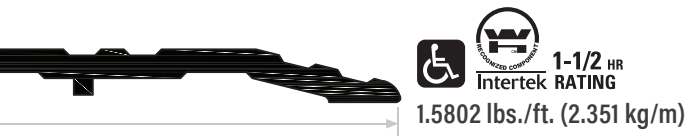
**DS12000A** (2 piece) extruded aluminum mill finish, not welded



**DS13000A** (2 piece) extruded aluminum mill finish, not welded



**DS14000A** (2 piece) extruded aluminum mill finish, not welded



**DS2648** PVC protective tape, apply to any sill or threshold.  
Purchase by roll. 4" (101mm), 6" (154mm), 8" (203mm), 12" (304mm) widths.

Wide thresholds on this page 9" to 14" (229 to 356mm) are available in the following NET lengths:

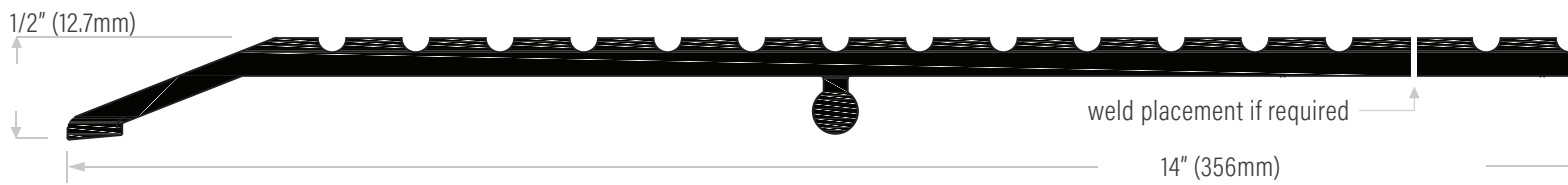
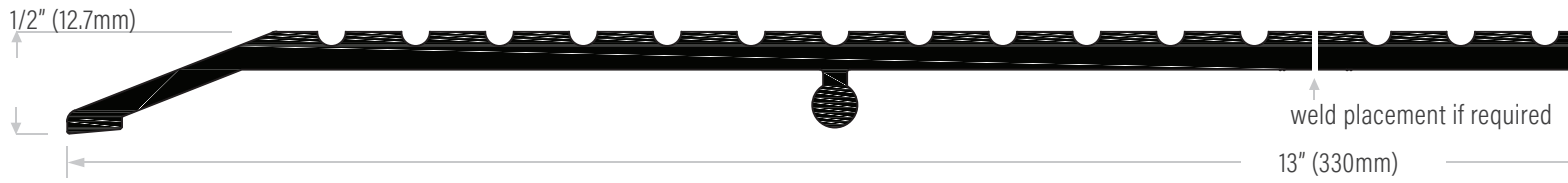
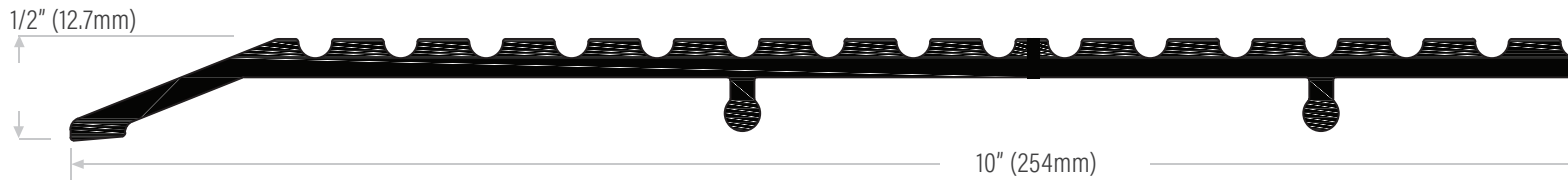
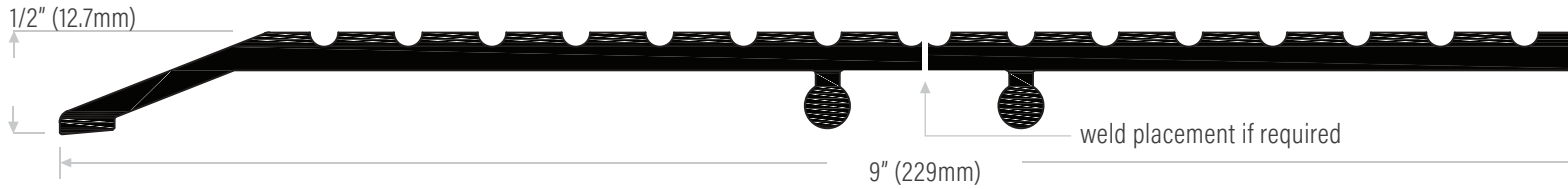
- 36-1/2" (927mm)
- 49" (1245mm)
- 73" (1854mm)
- 110" (2794mm)
- 147" (3734mm)

Extra wide thresholds are standard punched or drilled unless otherwise specified.

# THRESHOLDS

## Extra Wide Heavy Duty (H) Thresholds

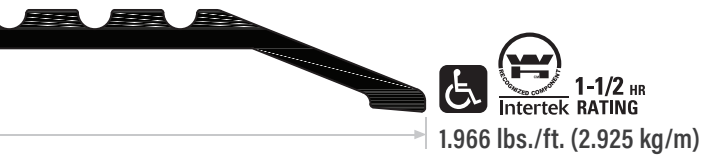
**NOTE:** Thresholds on this page are non-returnable. Manufacturing time required for bronze anodized finish.







**DS2648** PVC protective tape, apply to any sill or threshold.  
Purchase by roll. 4" (101mm), 6" (154mm), 8" (203mm), 12" (304mm) widths.



Wide thresholds on this page 9" to 14" (229 to 356mm) are available in the following NET lengths:

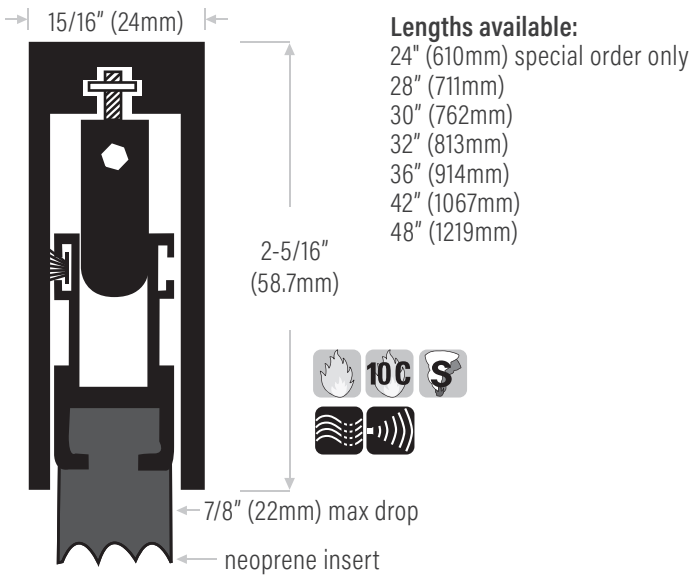
- 36-1/2" (927mm)
- 49" (1245mm)
- 73" (1854mm)
- 110" (2794mm)
- 147" (3734mm)

Extra wide thresholds are standard punched or drilled unless otherwise specified.



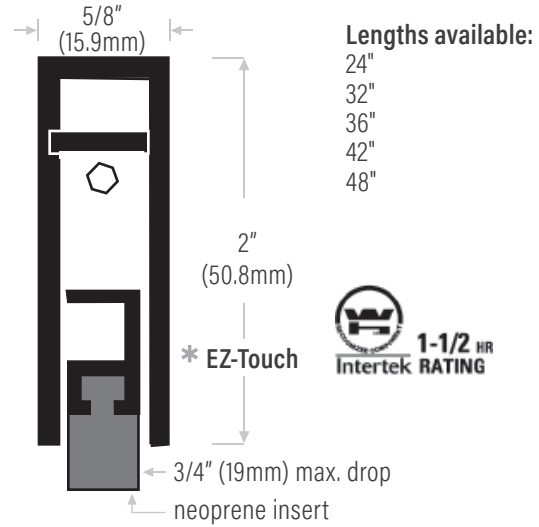
# AUTOMATIC DOOR BOTTOMS

## Surface Mounted Application



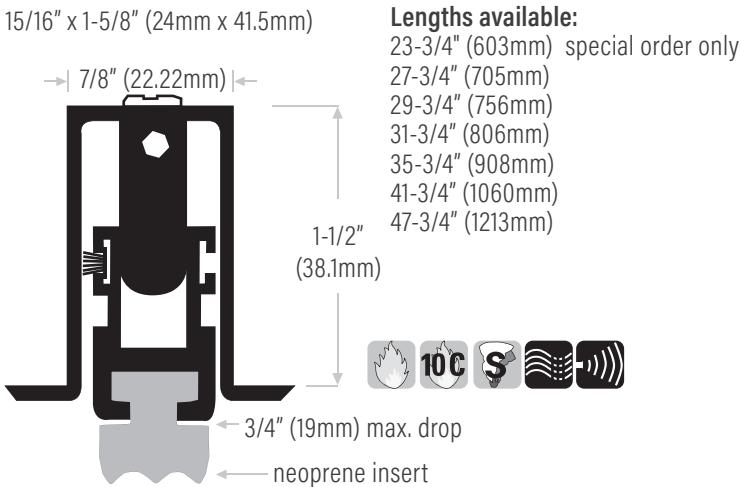
- DS343CN** Extruded aluminum clear anodized with neoprene insert, black
- DS343DN** Bronze anodized, 36" & 48" only (914mm & 1219mm)

## Surface Mounted Application



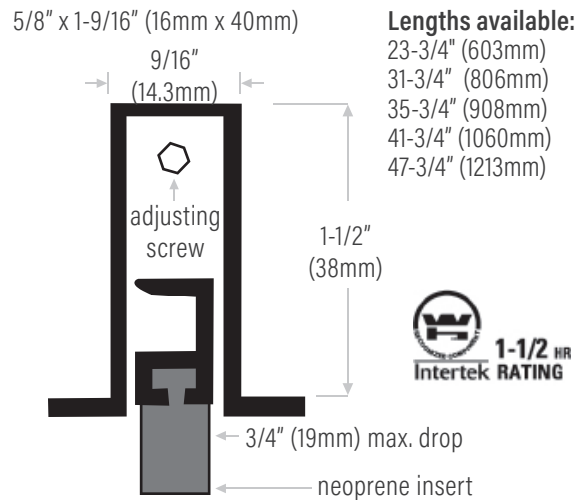
- DS385CN24** Extruded aluminum clear anodized with neoprene insert, black
- DS385CN32** Extruded aluminum clear anodized with neoprene insert, black
- DS385CN36** Extruded aluminum clear anodized with neoprene insert, black
- DS385CN42** Extruded aluminum clear anodized with neoprene insert, black
- DS385CN48** Extruded aluminum clear anodized with neoprene insert, black

## Mortise Application



- DS342AN** Extruded aluminum mill finish with neoprene insert, black. Available with lead insert for radiation shield. Specify "lead lined" custom order, call for manufacturing time.
- DS342EC** End plate (replacement part)

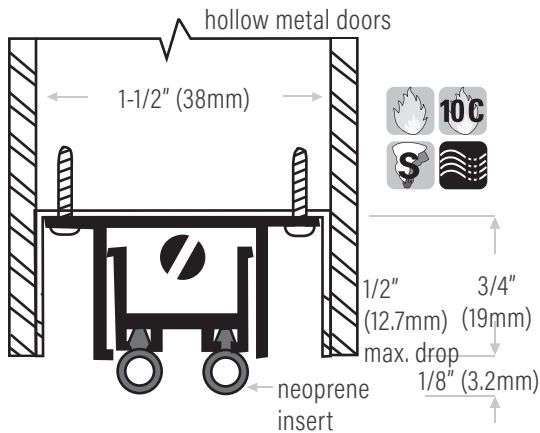
## Mortise Application



- DS386AN24** Extruded aluminum mill finish with neoprene insert, black
- DS386AN32** Extruded aluminum mill finish with neoprene insert, black
- DS386AN36** Extruded aluminum mill finish with neoprene insert, black
- DS386AN42** Extruded aluminum mill finish with neoprene insert, black
- DS386AN48** Extruded aluminum mill finish with neoprene insert, black

# AUTOMATIC DOOR BOTTOMS

## Mortise Application for Metal Doors



### Lengths available:

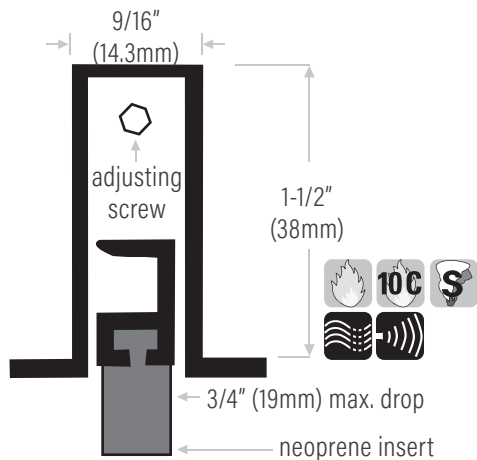
24" (610mm) special order only  
 28" (711mm)  
 30" (762mm)  
 32" (813mm)  
 36" (914mm)  
 42" (1067mm)  
 48" (1219mm)

**DS344AN** Extruded aluminum mill finish with neoprene insert, black.

Fits in 1 5/8" x 3/4" (41mm x 19mm) bottom door channel & may be field cut (up to 4" [102mm]) in length to fit door & is reversible. This unit has an adjusting screw to regulate amount of drop to 1/2" (12.7mm). A "furring strip" may be used to lower this automatic door bottom when a deeper channel is used. Units furnished 1/2" (12.7mm) shorter than ordered length in order to fit within net door size. Door Bottoms lengths available from 24" (610mm) - 48" (1219mm). Fire ratings apply to metal doors only.

## Mortise Application

5/8" x 1-9/16" (16mm x 40mm)

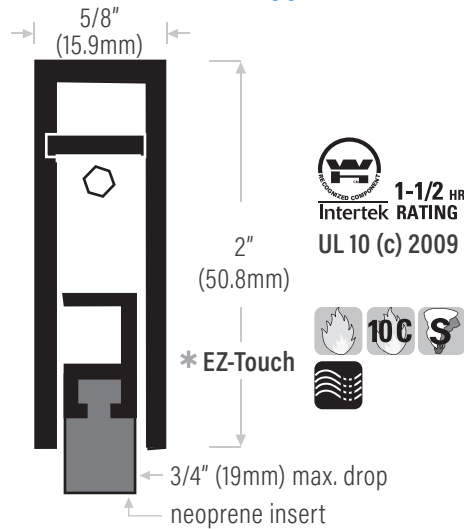


**DS336AN** Extruded aluminum mill finish with neoprene insert, black

### Lengths available:

23-3/4" (603mm) special order only  
 27-3/4" (705mm)  
 29-3/4" (756mm)  
 31-3/4" (806mm)  
 35-3/4" (908mm)  
 41-3/4" (1060mm)  
 47-3/4" (1213mm)

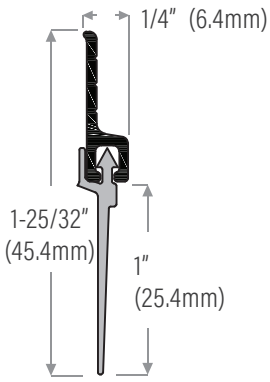
## Surface Mounted Application



**DS335CN** Extruded aluminum clear anodized with neoprene insert, black  
**DS335DN** Bronze anodized with neoprene insert, black. Custom order, call for manufacturing time. 36" & 48" only (914mm & 1219mm)

\* The **EZ-Touch** door bottom requires only 3 to 5 pounds of pressure to activate the drop bar mechanism. Light gauge materials have allowed us to perfect a door bottom suited for those applications when the pressure to close the door is critical. We've included the same proven technology used in all of our other automatic door bottoms. Accessibility requirements remind us of the necessity for everyone to be able to operate doors with ease. Our EZ-Touch door bottom meets that need & still provides an effective seal for any application. End caps furnished standard.

## DOOR BOTTOM SWEEPS



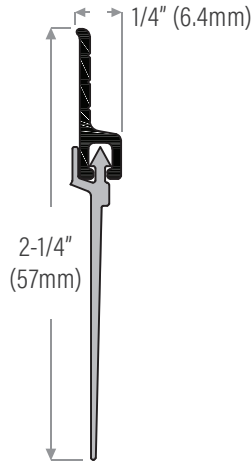
**DS140AV** Extruded aluminum mill finish with vinyl insert, grey

**DS140DV** Bronze anodized with black insert

**DS140WV** Painted white with grey insert

**DSV40BL** Replacement black insert

**DSV40GREY** Replacement grey insert

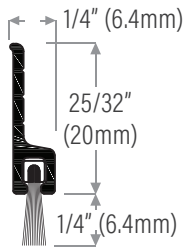


**DS156AV** Extruded aluminum mill finish with vinyl insert, grey

**DS156DV** Bronze anodized with grey insert

**DS156WV** Painted white with grey insert

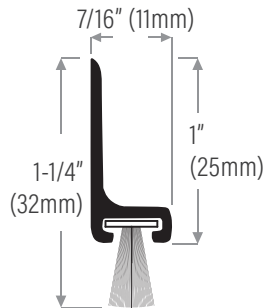
**DSV56GREY** Replacement grey insert



**DS110AP** Extruded aluminum mill finish with pile insert, black

**DS110DP** Bronze anodized

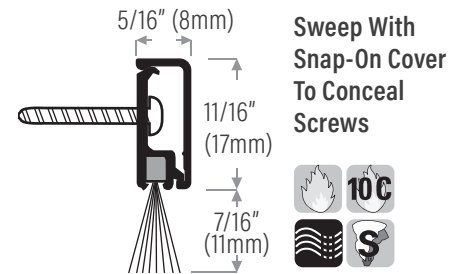
**DSP10BL** Replacement pile insert, black



**DS144AP** Extruded aluminum mill finish with fin pile insert



**DS7545-270G**  
Replacement fin pile insert grey



Sweep With  
Snap-On Cover  
To Conceal  
Screws



**DS158A** Extruded aluminum mill finish with nylon brush insert, black. Lengths available: 36" (914mm) & 48" (1219mm)

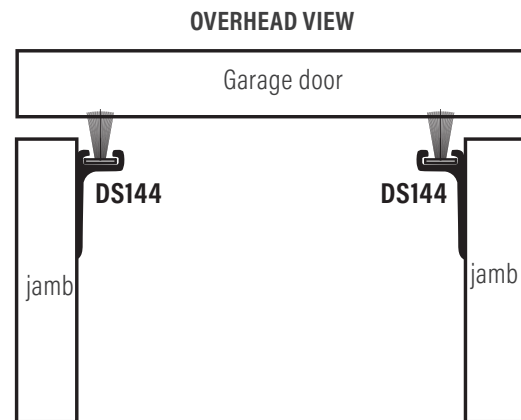
**DS158C** Clear anodized

**DS158D** Bronze anodized

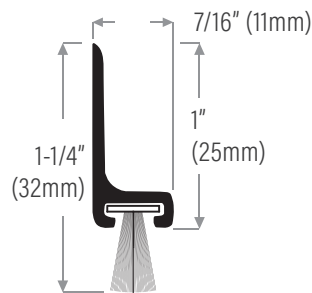
**DS158W** Painted white

**DSBRUSH716BL** Replacement brush insert, black

## WEATHERSEALS (OVERHEAD, SLIDING & GARAGE DOOR)

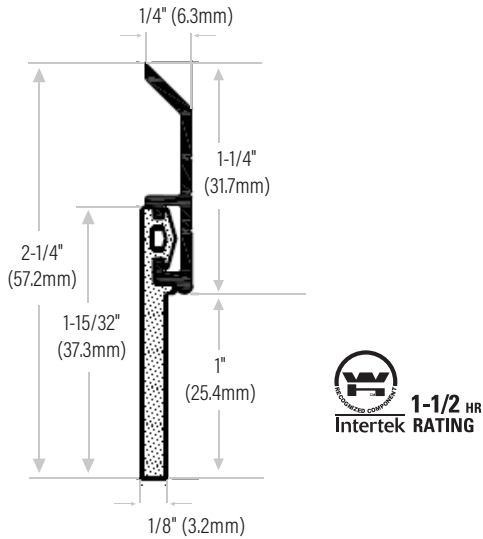


NO SCALE

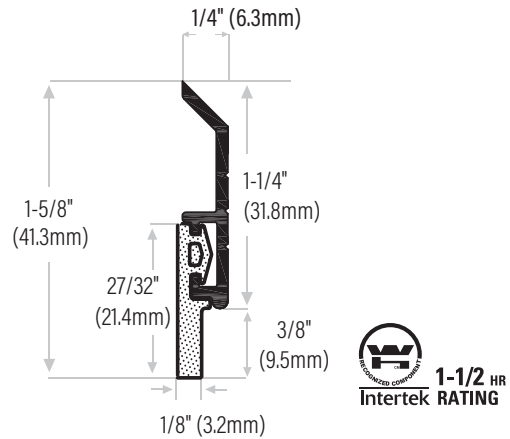


**DS144AP** Extruded aluminum mill finish with fin pile insert

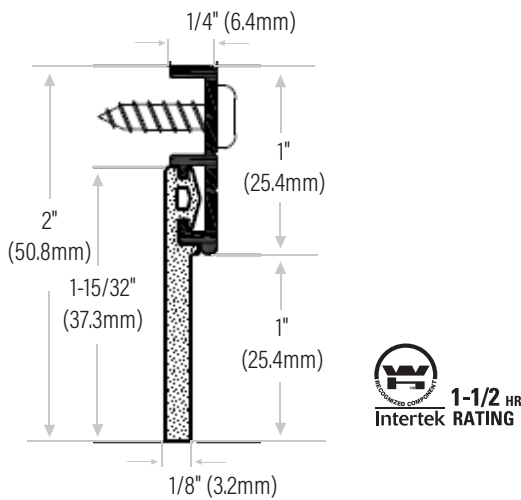
# DOOR BOTTOM SWEEPS



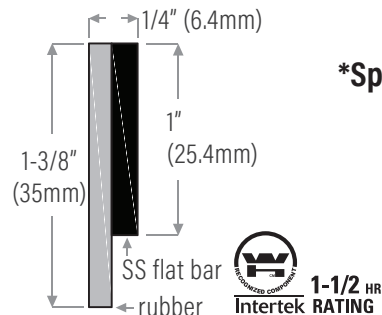
**DS138C-2** Extruded aluminum clear anodized with rubber insert, black, 1/8" x 2" (3.2mm x 51mm)  
**DS138D-2** Bronze anodized



**DS138C** Extruded aluminum clear anodized with rubber insert, black, 1/8" x 1-3/8" (3.2mm x 35mm)  
**DS138D** Bronze anodized

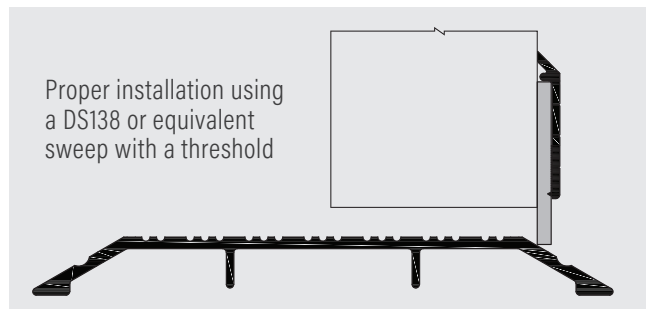


**DS136C** Extruded aluminum clear anodized with rubber insert, black, 1/8" x 1-3/8" (3.2mm x 35mm)  
**DS136DN** Bronze anodized



**DS238SSN** Stainless steel with rubber insert, black

**\*Special Order Only**



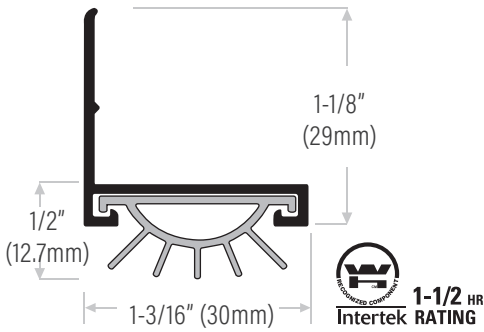
Proper installation using a DS138 or equivalent sweep with a threshold

Door bottom sweeps on this page are supplied with punched holes and screws and are only available in the following NET lengths:

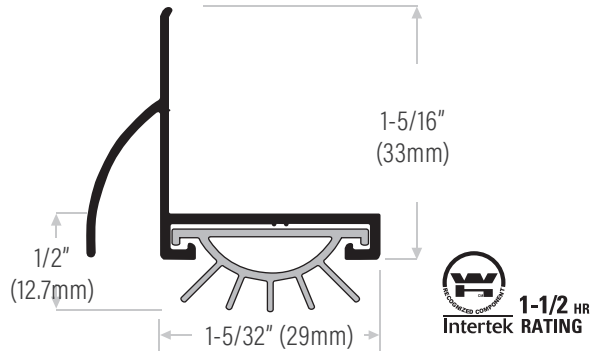
- 36" (914mm)
- 48" (1219mm)
- 84" (2134mm)
- 96" (2438mm)

# DOOR SHOES (ALUMINUM)

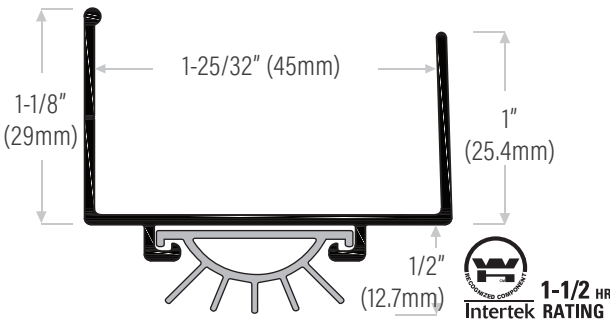
Door shoes on this page are supplied with punched holes and screws and are available in the following NET lengths: 36" (914mm) & 48" (1219mm). Custom lengths available, call for manufacturing time.



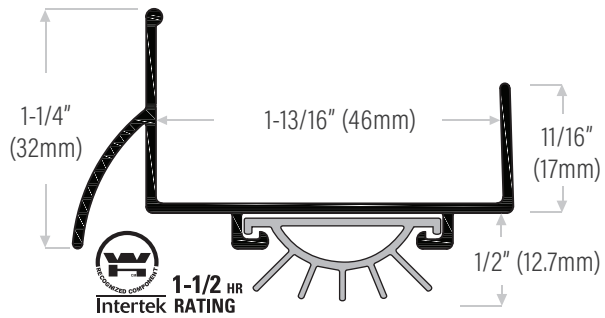
**DS211AT** Extruded aluminum mill finish with TPE (T) insert  
**DS211DT** Bronze anodized



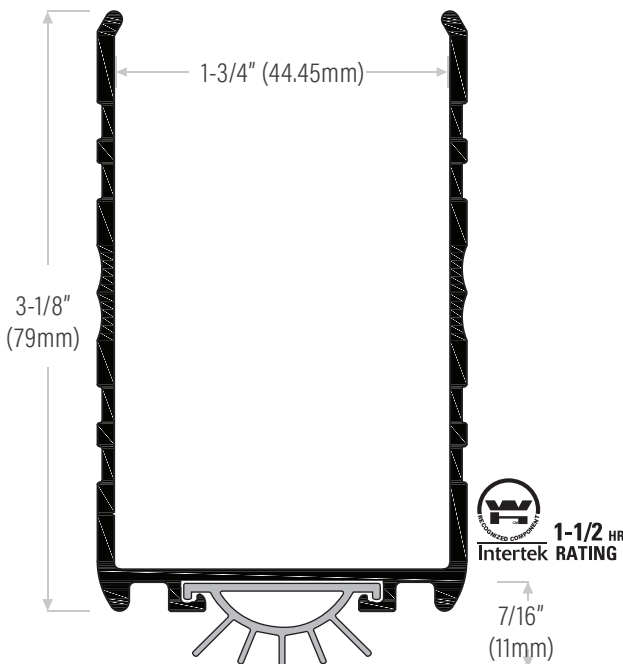
**DS210AT** Extruded aluminum mill finish with TPE (T) insert  
**DS210DT** Bronze anodized



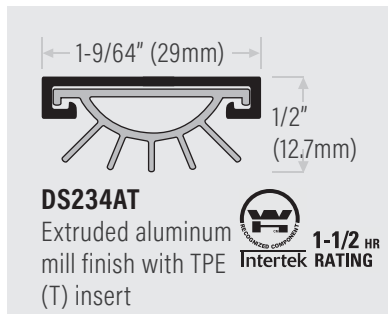
**DS217AT** Extruded aluminum mill finish with TPE (T) insert  
**DS217DT** Bronze anodized



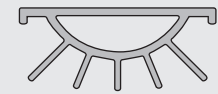
**DS216AT** Extruded aluminum mill finish with TPE (T) insert  
**DS216DT** Bronze anodized



**DS212AT** Extruded aluminum mill finish with TPE (T) insert  
**DS212DT** Bronze anodized

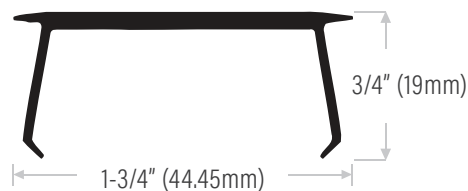


**DS234AT** Extruded aluminum mill finish with TPE (T) insert



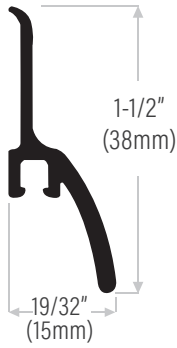
**DS16BL** Replacement TPE (T) insert, black, for products on this page

## Door Top Cap For Hollow Metal Doors

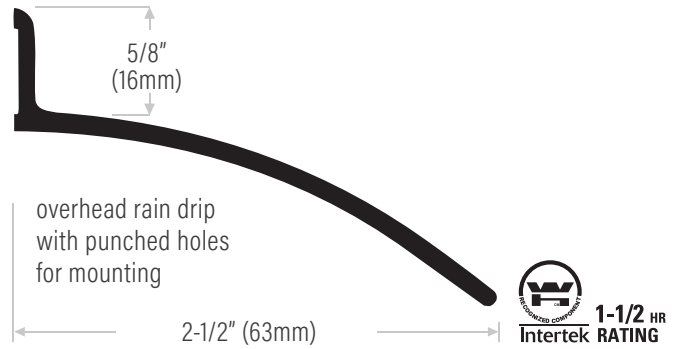


**DS388** Extruded rigid vinyl grey. Length available: 9 ft. (2743mm) only

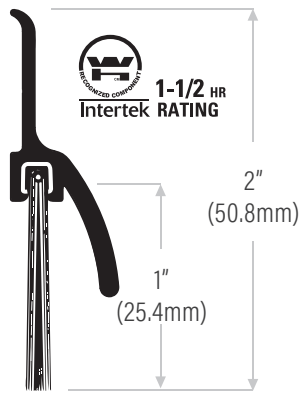
# RAIN DRIPS



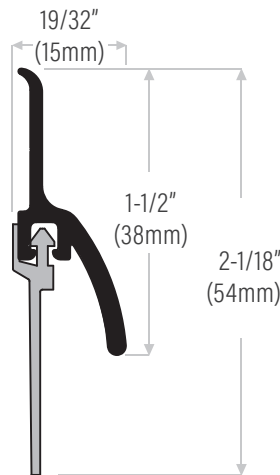
**DS164A** Extruded aluminum mill finish.  
Lengths available:  
36" (914mm) & 48" (1219mm)  
**DS164D** Bronze anodized



**DS166C42** Extruded aluminum clear anodized, 42" (1067mm) length  
**DS166C54** Clear anodized, 54" (1372mm) length  
**DS166C84** Clear anodized, 84" (2134mm) length  
**DS166C168** Clear anodized, 168" (4267mm) length



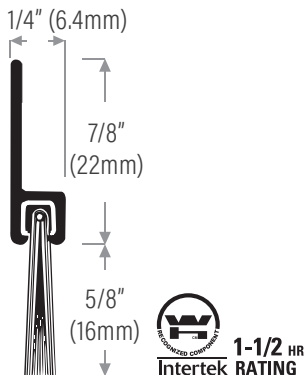
**DS161ANB** Extruded aluminum mill finish with nylon brush insert, black. Lengths available: 36" (914mm) & 48" (1219mm)  
**DS161DNB** Bronze anodized



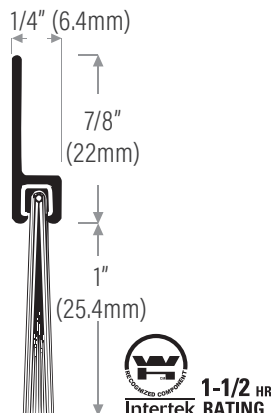
**DS162AV** Extruded aluminum mill finish with vinyl insert, grey. Lengths available: 36" (914mm) & 48" (1219mm)  
**DS162DV** Bronze anodized

## NYLON BRUSH (NB) DOOR BOTTOM SWEEPS - UBC 7-2 (1997) When Used As A Door Bottom Sweep Only

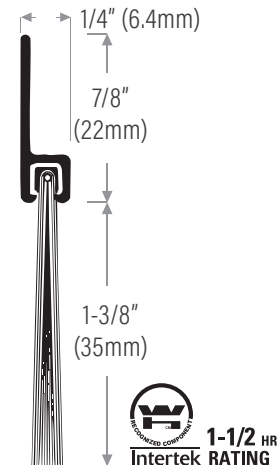
Lengths available: 36" (914mm), 48" (1219mm), 84" (2134mm) & 96" (2438mm).



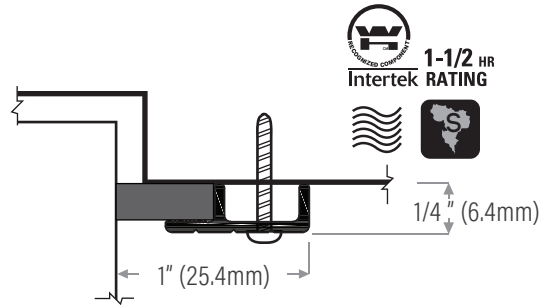
**DS148CNB** Clear anodized with brush insert  
**DS148DNB** Bronze anodized



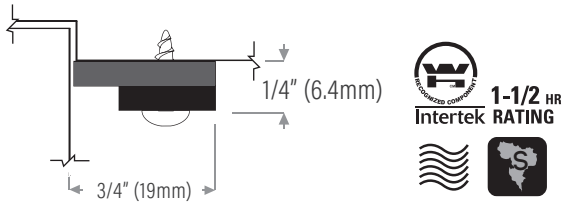
**DS149CNB** Clear anodized with brush insert  
**DS149DNB** Bronze anodized



**DS150CNB** Clear anodized with brush insert  
**DS150DNB** Bronze anodized



- DS130CR** Extruded aluminum clear anodized with sponge neoprene insert
- DS130DR** Bronze anodized
- DS437BL** Replacement neoprene sponge insert, black, 1/4" x 1/2" (6.4mm x 12.7mm)



- DS243SSR** Stainless steel with sponge neoprene insert.
- DSR43BL** Replacement neoprene sponge insert, black 3/4" x 3/16" (19mm x 5mm) thick

Weatherseals on this page are supplied with punched holes and screws and are only available in the following NET lengths:

1/3' x 2/7' set	(914 x 2134mm)
1/3' x 2/8' set	(914 x 2438 mm)
1/6' x 2/7' set	(1829 x 2134mm)
3 x 8' set	(2438mm)
1 x 14' length	(4267mm)

**\*Special Order Only**

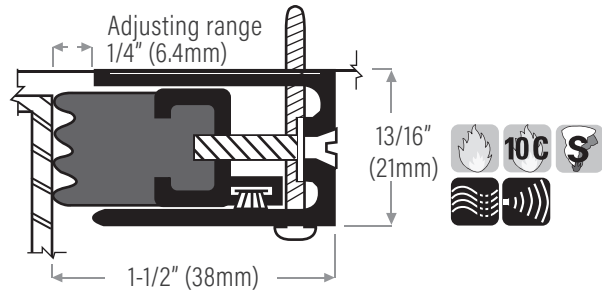


# ADJUSTABLE-JAMB SOUND SEALS

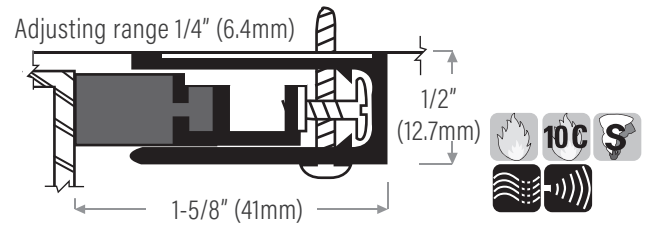
## Sound Transmission Class (STC) Rated Door Assemblies

STC RATING ON DOOR	STC RATING DOOR WITH GASKET	PERIMETER SEALS	AUTOMATIC DOOR BOTTOM	THRESHOLD
STC 30	30	DS340 or DS339	DS343CR	DS174N
STC 40	37	DS340 or DS339	DS343CR	DS174N
STC 50	43	DS340	DS343CR	DS174N

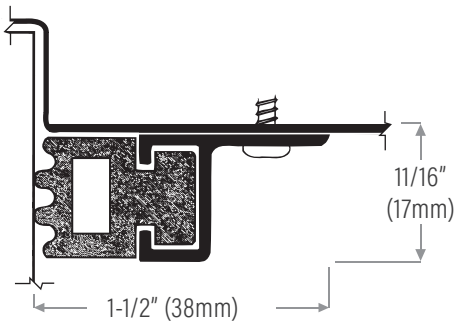
Weatherseals and sound seals on this page are supplied with punched holes and screws and are available in the following NET lengths / sets: 1/36" x 2/84" set (914 x 2134mm). Custom lengths available, call for manufacturing time.



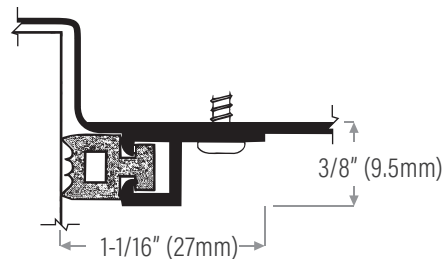
**DS340CN17** Extruded aluminum clear anodized with neoprene insert, black



**DS339CN17** Extruded aluminum clear anodized with neoprene insert, black



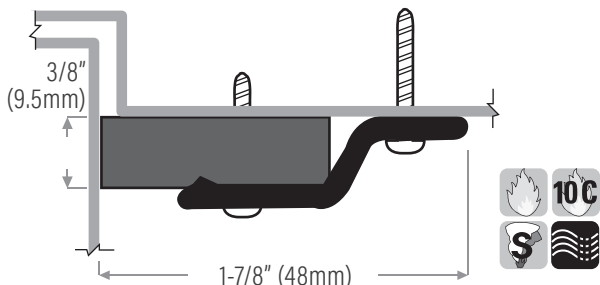
**DS341CN** Clear anodized with neoprene insert, black  
**DSN41BLACK** Replacement neoprene insert, black



**DS338CN** Clear anodized with neoprene insert, black  
**DS338DN** Bronze anodized  
**DSR38BLACK** Replacement neoprene insert, black

## DOOR WEATHERSEALING

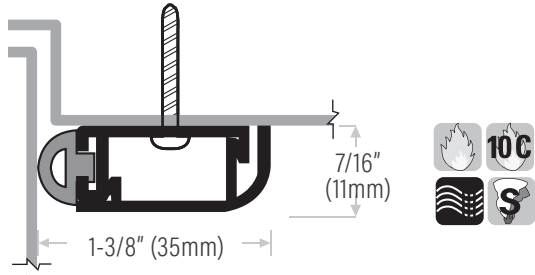
### Dual Screw Mounting



**DS131CN17** Extruded aluminum clear anodized with 3/8" x 1-1/4" (9.5mm x 32mm) neoprene insert

Note: Lead time is 8-11 weeks

# DOOR WEATHERSEALING, HOLLOW BULB



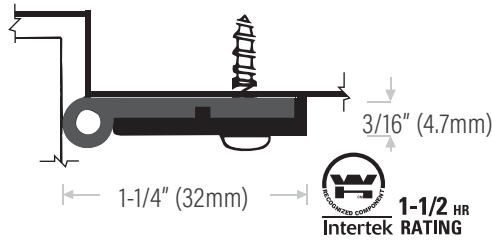
**Snap-On Cover To Conceal Screws**

**DS113CS** Extruded aluminum clear anodized with silicone insert, black

Weatherseals on this page are supplied with punched holes & screws and are available in the following NET lengths / sets:

- 1/3' x 2/7' set (914 x 2134mm)
- 1/3' x 2/8' set (914 x 2438 mm)
- 1/6' x 2/7' set (1829 x 2134mm)
- 3 x 8' set (2438mm)
- 1 x 14' length (4267mm)

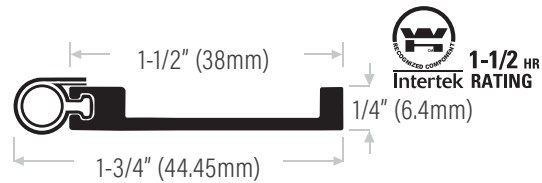
Certain products are not available in all sizes listed, refer to price list.



**DS133CT** Extruded aluminum clear anodized with TPE (T) insert, black

**DS133DT** Bronze anodized

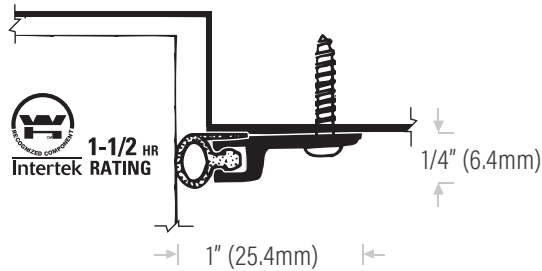
**DST33BL** Replacement TPE (T) insert, black



**Perimeter seal compatible with parallel arm closers**

**DS118CT** Extruded aluminum clear anodized with TPE (T) insert

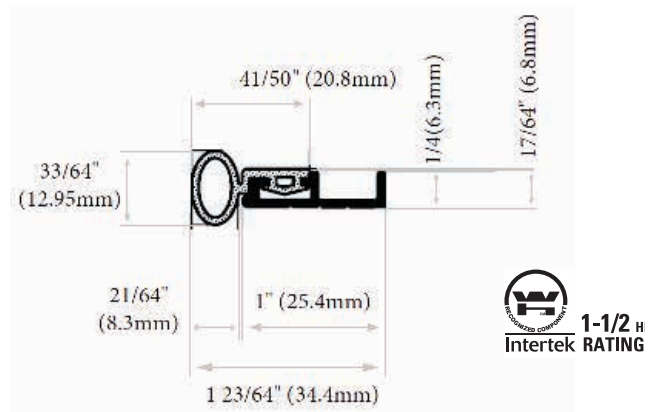
**DST03BL** Replacement TPE (T) insert, black.



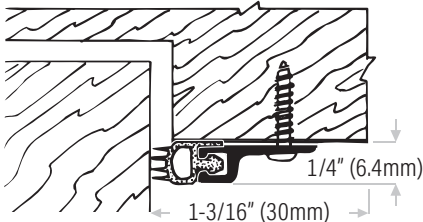
**DS103AT** Extruded aluminum mill finish with TPE (T) insert

**DS103DT** Bronze anodized

**DST03BL** Replacement TPE (T) insert, black



**DS141CT** Extruded aluminum clear anodized with TPE (T) insert, black



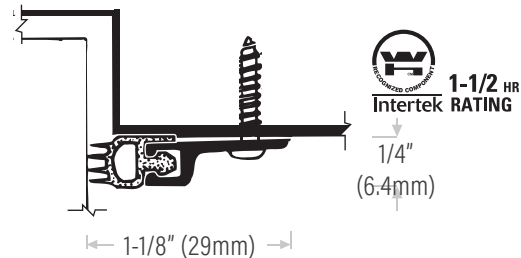
**DS104AV** Extruded aluminum mill finish with cold temp vinyl insert

**DS104WV** Painted white

**DS104AV17** Mill finish set 1/36\" x 2/84\"

**DS104AV20** Mill finish set 1/72\" x 2/84\"

**DSV04GREY** Replacement vinyl insert, grey



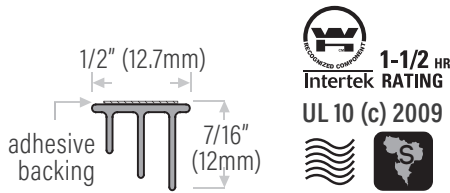
**DS100AT** Extruded aluminum mill finish with TPE (T) insert

**DS100DT** Bronze anodized

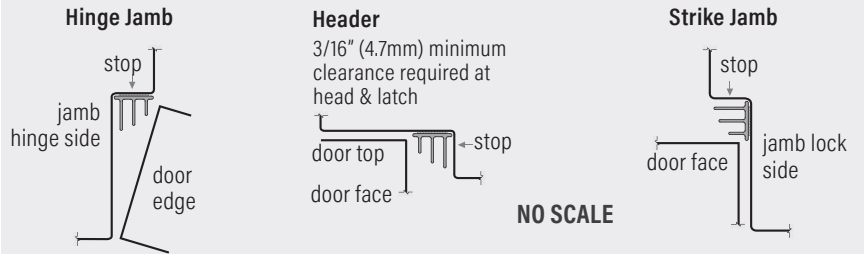
**DST00BL** Replacement TPE (T) insert, black

# ADHESIVE-BACKED GASKET SEALS

## Triple Fin Silicone Adhesive-Backed Fire Rated Gasketing



### DSS99 Application Details

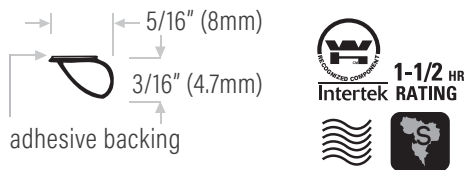


- |   |  |  |
|---|--|--|
| <b>DSS99D3</b> bronze colour, 1/36" (5.18m) | <b>DSS99D8</b> bronze colour, 1/96" (93.2m)    | <b>DSS99D20</b> bronze colour, 1/6 ft x 2/7 ft |
| <b>DSS99D6</b> bronze colour, 1/72" (6.40m) | <b>DSS99D17</b> bronze colour, 1/3 ft x 2/7 ft | <b>DSS99D21</b> bronze colour, 3/7 ft          |
| <b>DSS99D7</b> bronze colour, 1/84" (7.62m) | <b>DSS99D19</b> bronze colour, 1/3 ft x 2/8 ft | <b>DSS99D24</b> bronze colour, 3/8 ft          |

## Silicone Adhesive-Backed Fire Rated Gasketing

### For Wood Door & Metal Frame

This design is for those applications with very tight clearances from door edge to jamb & the pressure to close the door is critical.

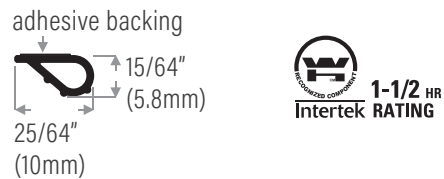


- |                                |                                  |
|--------------------------------|----------------------------------|
| <b>DSS11D17</b> 17 ft. (5.18m) | <b>DSS11D25</b> 25 ft. (7.62m)   |
| <b>DSS11D21</b> 21 ft. (6.40m) | <b>DSS11D306</b> 306 ft. (93.2m) |

## Santoprene Adhesive-Backed Gasketing

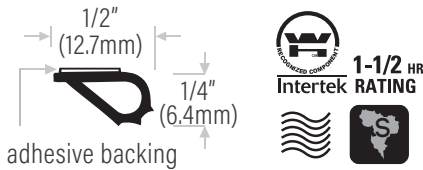
### For Wood Door & Metal Frame

This design is for those applications with very tight clearances from door edge to jamb & the pressure to close the door is critical.



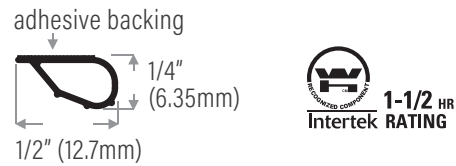
- |                               |                                   |
|-------------------------------|-----------------------------------|
| <b>DS22D17</b> 17 ft. (5.18m) | <b>DS22D25</b> 25 ft. (7.62m)     |
| <b>DS22D21</b> 21 ft. (6.40m) | <b>DS22D515</b> 515 ft. (156.97m) |

### For Hollow Metal Door & Metal Frame



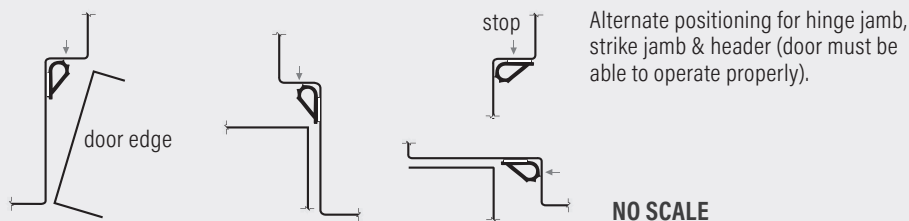
- |                                  |                                  |
|----------------------------------|----------------------------------|
| <b>DSS66D17</b> 17 ft. (5.18m)   | <b>DSS66W17</b> 17 ft. (5.18m)   |
| <b>DSS66D21</b> 21 ft. (6.40m)   | <b>DSS66W21</b> 21 ft. (6.40m)   |
| <b>DSS66D25</b> 25 ft. (7.62m)   | <b>DSS66W25</b> 25 ft. (7.62m)   |
| <b>DSS66D306</b> 306 ft. (93.2m) | <b>DSS66W306</b> 306 ft. (93.2m) |

### For Hollow Metal Door & Metal Frame



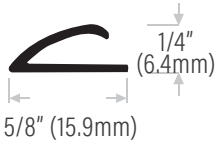
- |                                   |
|-----------------------------------|
| <b>DS77D17</b> 17 ft. (5.18m)     |
| <b>DS77D21</b> 21 ft. (6.40m)     |
| <b>DS77D25</b> 25 ft. (7.62m)     |
| <b>DS77D515</b> 515 ft. (156.97m) |

### DSS11, DSS66, DS22 & DS77 Application Details

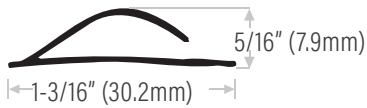
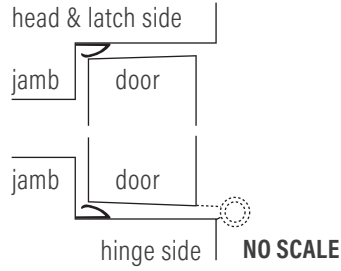


# ADHESIVE-BACKED JAMB SEALS

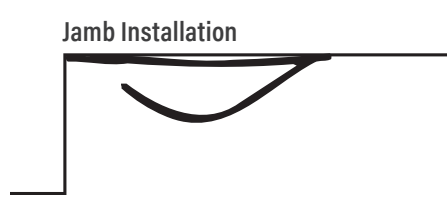
## Vinyl-Flex (Compression) Seal, Adhesive-Backed



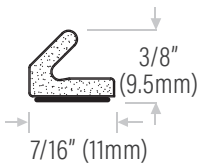
**DS117T84** tan, 84" (2134mm) only  
**DS117W84** white



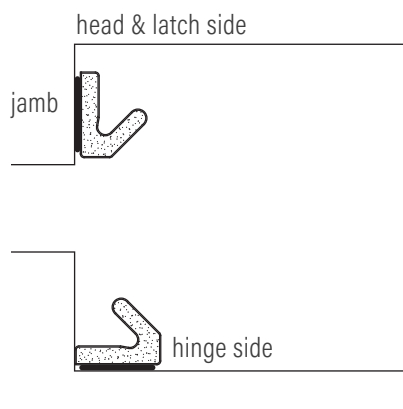
**DS116T84** tan, 84" (2134mm) only  
**DS116W84** white



## Compression Seal, Adhesive-Backed

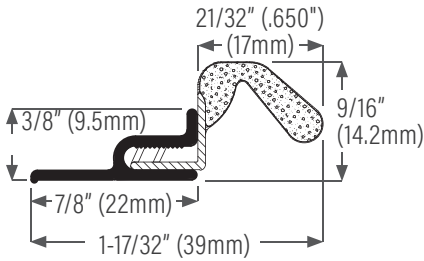


**DS415BL144** black, 144" (3658mm)



# RETROFIT DOOR WEATHERSEALING

## Superior Plus Weathersealing Door Kit E-Lon® by Foam Tite®



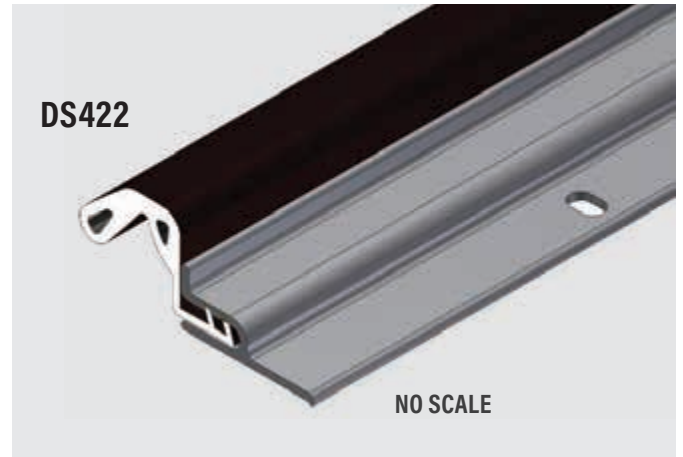
- DS422B** Extruded aluminum painted brown with gasket insert, brown
- DS422C** Clear anodized with black gasket insert
- DS422W** Painted white with white gasket insert

### Available in sets of

- 1/36" x 2/81" (914 x 2057mm) single door set
- 1/36" x 2/84" (914 x 2134mm) single door set
- 1/81" x 2/84" (2057 x 2134mm) double door set

### Advantages Of Foam-Tight Kerf Gasket

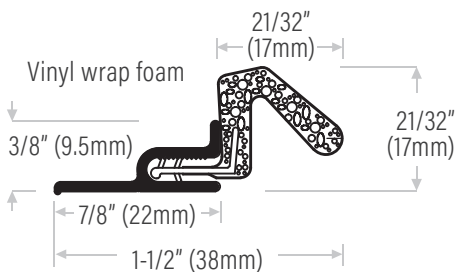
- » Closed cell foam structure: high resistance to water absorption & eliminates wicking.
- » Seamless elastomeric skin: provides long life, resilience, & durability. Puncture & tear resistant, outlasts & outperforms all other replacement weathersealing.
- » Superior resistance to compression set: operating forces remain constant over a wide compression range, helping doors exceed all industry requirements.
- » Performance: independent tests have shown foam-tight performs like new under all temperature.
- » Punched/slotted holes.
- » Plated screws supplied with white sets.
- » Antique bronze plated screws supplied with brown sets.
- » Foam-Tight gasket easily replaceable, pull out the old & push in the new.



### DS422

Extruded aluminum painted brown or white, with matching brown or white foam-tight compression gasket. Also available clear anodized extrusion with black foam-tight compression gasket.

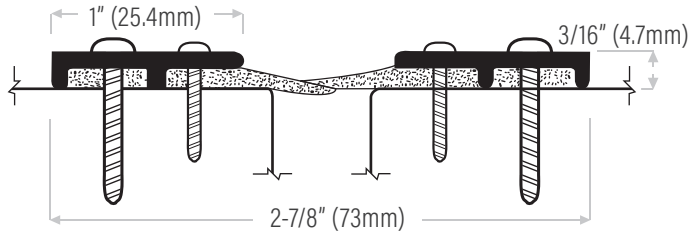
## Superior Weathersealing Door Kit



- DS424D16.5** Painted brown with brown gasket, 1/36" x 2/81" (914 x 2057mm) single door set
- DS424D17** Painted brown with brown gasket, 1/36" x 2/84" (914 x 2134mm) single door set
- DS424D20** Painted brown with brown gasket, 1/81" x 2/84" (2057 x 2134mm) double door set
- DS424D96** Painted brown with brown gasket, 1/96" (2438mm) one piece only
- DS424C16.5** Clear anodized with black gasket, 1/36" x 2/81" (914 x 2057mm) single door set
- DS424C17** Clear anodized with black gasket, 1/36" x 2/84" (914 x 2134mm) single door set
- DS424C20** Clear anodized with black gasket, 1/81" x 2/84" (2057 x 2134mm) double door set
- DS424C96** Clear anodized with black gasket, 1/96" (2438mm) one piece only
- DS424W16.5** Painted white with white gasket, 1/36" x 2/81" (914 x 2057mm) single door set
- DS424W17** Painted white with white gasket, 1/36" x 2/84" (914 x 2134mm) single door set
- DS424W20** Painted white with white gasket, 1/81" x 2/84" (2057 x 2134mm) double door set
- DS424W96** Painted white with white gasket, 1/96" (2438mm) one piece only

# MEETING STILES

Meeting stiles on this page are supplied with punched holes and screws and are available in the following NET lengths: 84" (2134mm) & 96" (2438mm). Custom lengths available, call for manufacturing time.



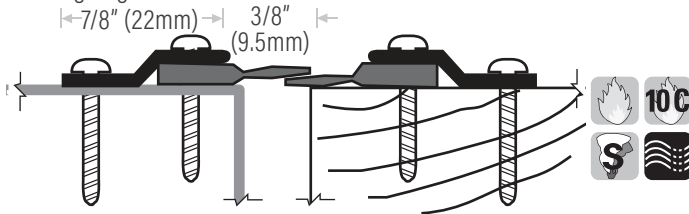
**DS137CT** Extruded aluminum clear anodized with TPE (T) insert. Sold in single units, order 2 lengths for meeting stile. Not rated for meeting stiles.

**DS137DT** Bronze anodized

**DST37BL** Replacement TPE (T) insert, black

## Smoke-Rated Astragal Sets

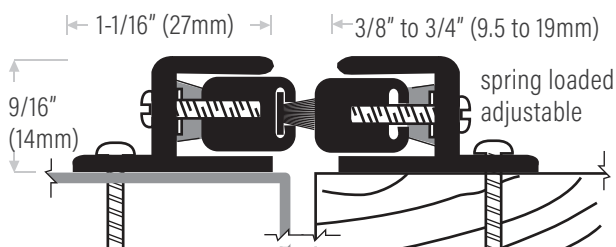
Fire-rated Astragal Seals cannot replace any astragal required on the door by the door manufacturer to maintain its fire label. IBC, NFPA 80, NFPA105, NFPA 252 require the gap at the meeting edge between fire labeled doors must not exceed 1/8".



**DS147CN** Extruded aluminum clear anodized with neoprene insert. Sold in single units, order 2 lengths for meeting stile.

## Spring Adjustable Astragal Sets

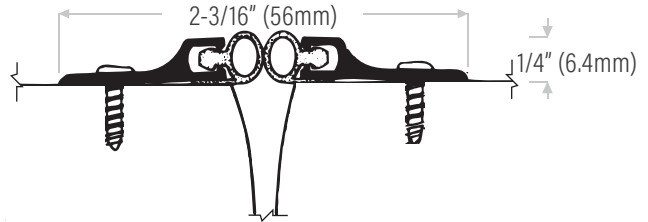
- Adjustment screws on 10" centers allow adjustment of the seal without re-positioning mounting location.
- Spring-loaded to maintain constant pressure for the most effective seal



**DS151C** Extruded aluminum clear anodized (no pile insert). Sold in single units, order 2 lengths for meeting stile.

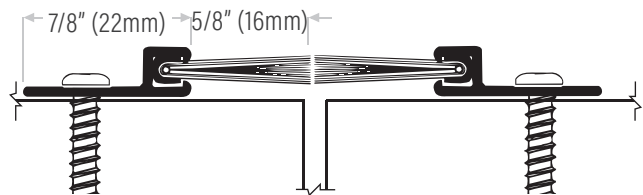
**DS151CP** Clear anodized with polypropylene pile insert.

 Up to 3 hrs. metal doors, 20 mins wood doors



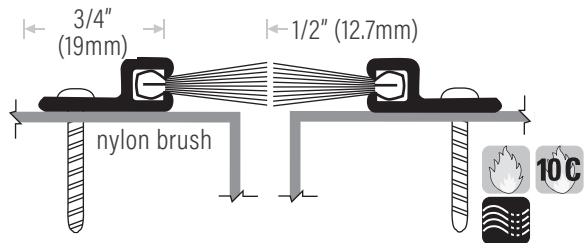
**DS103AT** Extruded aluminum mill finish with TPE (T) insert. Sold in single units, order 2 lengths for meeting stile. Not rated for meeting stiles.

**DS103DT** Bronze anodized



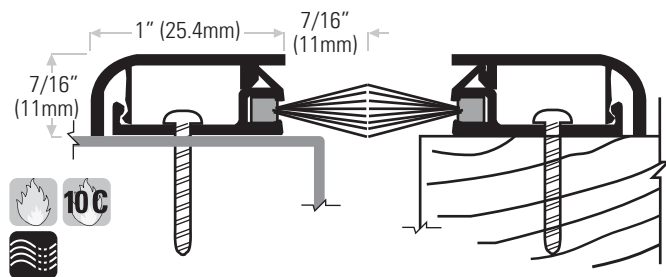
**DS148CNB** Extruded aluminum clear anodized with nylon brush insert. Sold in single units, order 2 lengths for meeting stile. Not rated for meeting stiles

**DS148DNB** Bronze anodized



**DS163CNB** Clear anodized with nylon brush insert. Sold in single units, order 2 lengths for meeting stile.

**DS163DNB** Bronze anodized



**Snap-on cover to conceal screws**

**DS113CP** Extruded aluminum clear anodized with nylon brush insert, grey. Sold in single units, order 2 lengths for meeting stile.

**DS113DP** Bronze anodized

# MEETING STILES

**Extrusion Only, No Insert**

**DS369A**  
Extruded aluminum mill finish t-slot extrusion only (no insert) drilled & countersunk. Inserts with .270 (6.85mm) backing will fit this t-slot extrusion.

Meeting stile application  
**NO SCALE**

Door bottom sweep application  
**NO SCALE**

**DST17BL**  
Replacement TPE (T) insert black, for DS369

**DS369AAT** Extruded aluminum mill finish with TPE (T) insert  
**DS369ADT** Bronze anodized

## T-Slot Extrusion With Fin Pile Inserts (Choice of 6 overall heights).

Lengths available for DS369: 36" (914mm), 48" (1219mm), 84" (2134mm), 96" (2438mm) & 180" (4572mm)

**DS369A7520G** Aluminum extrusion mill finish with fin pile insert, grey

**DS369A7530G** Aluminum extrusion mill finish with fin pile insert, grey  
**DS369A7130BL** Black pile, no fin

**DS369A7535G** Aluminum extrusion mill finish with fin pile insert, grey

**DS369A7540G** Aluminum extrusion mill finish with fin pile insert, grey

**DS369A7545G** Aluminum extrusion mill finish with fin pile insert, grey  
**DS369A7445W** with fin pile insert, white  
**DS369A7145BL** with fin pile insert, black

**DS369A7550G** Aluminum extrusion mill finish with fin pile insert, grey

## Pile Weatherseal Insert Only

Polypropylene Pile, Fin & Backing

3/16" = 4.7mm | 1/4" = 6.4mm | 5/16" = 8mm | 3/8" = 9.5mm | 7/16" = 11mm | 1/2" = 12.7mm

### Fin-Pile Only Available in footage or full coils

- \* **DS7520-270G** .270" wide backing - 3/16" grey pile height with fin
- \* **DS7530-270G** .270" wide backing - 1/4" grey pile height no fin
- \* **DS7130-270BL** .270" wide backing - 1/4" black pile height with fin
- \* **DS7535-270G** .270" wide backing - 5/16" grey pile height with fin
- \* **DS7540-270G** .270" wide backing - 3/8" grey pile height with fin
- \* **DS7545-270G** .270" wide backing - 7/16" grey pile height with fin
- \* **DS7445-270W** .270" wide backing - 7/16" white pile height with fin
- \* **DS7145-270BL** .270" wide backing - 7/16" black pile height with fin
- \* **DS7550-270G** .270" wide backing - 1/2" grey pile height with fin

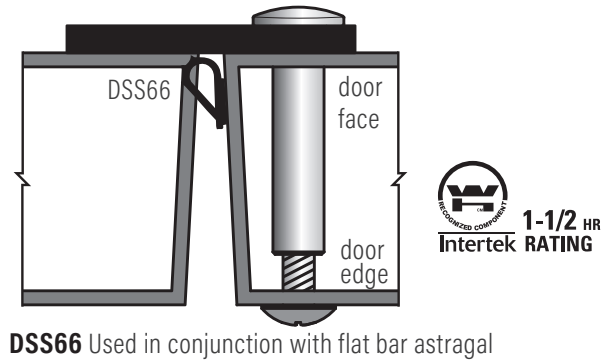
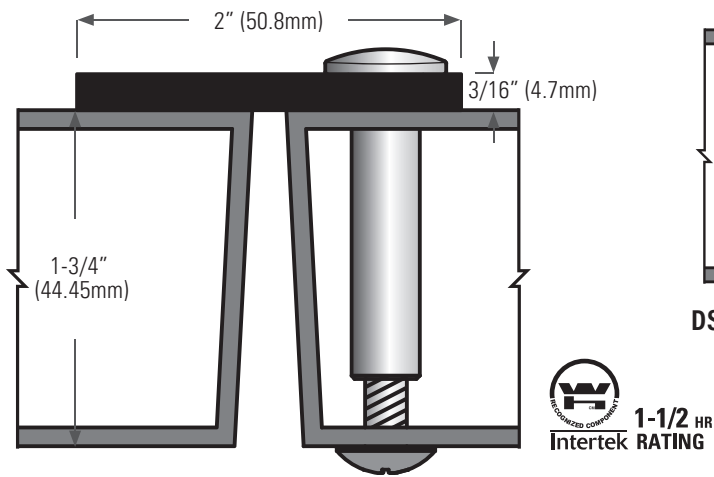
- DS7620-187G** 3/16" wide backing - 3/16" grey pile height with fin
- DS7630-187G** 3/16" wide backing - 1/4" grey pile height with fin

\* Product numbers marked with asterisk fit into **DS369A** T-Slot extrusion. See top of this page.

- » High performance pile with a solid center fin barrier provides maximum resistance to air, water & dust infiltration.
- » Recommended pile compression 10%.
- » Excellent performer in sliding applications.

# ASTRAGALS (OVERLAPPING)

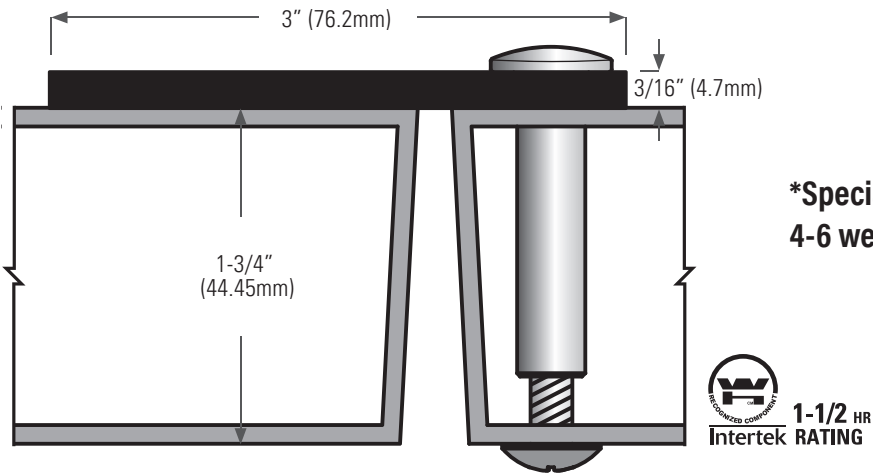
## Flat bar astragals, drilled (supplied with thru-bolts)



DSS66 Used in conjunction with flat bar astragal

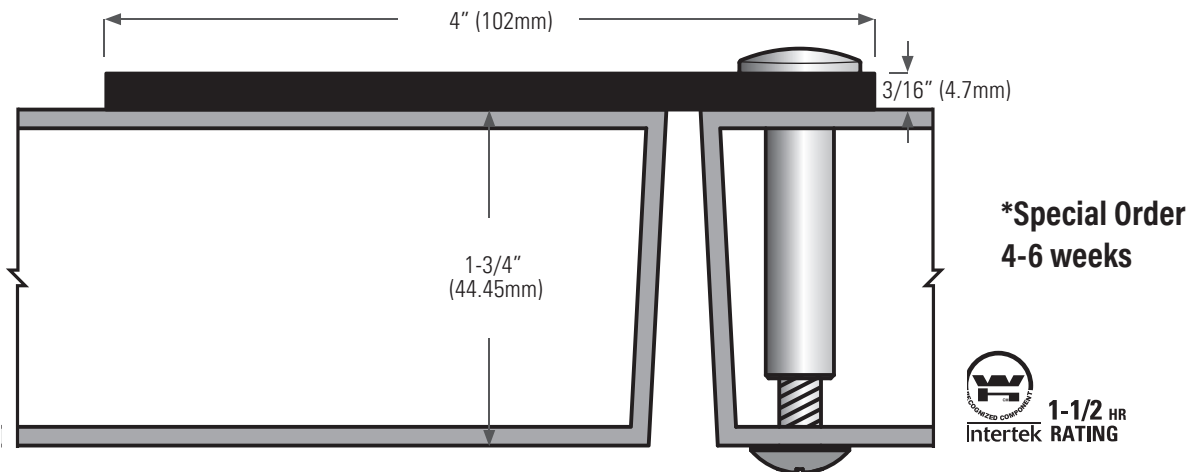
**DS184SSATIN** Flat bar, **STAINLESS STEEL**. Lengths available: 84" (2134mm), 96" (2438mm), 144" (3658mm)

**DS188-2PS** Flat bar, **STEEL** prime coated 2" (51mm) wide. Lengths available: 84" (2134mm), 96" (2438mm), 144" (3658mm)



**\*Special Order  
4-6 weeks**

**DS188-3PS** Flat bar, steel prime coated 3" (76mm) wide, 84" only.



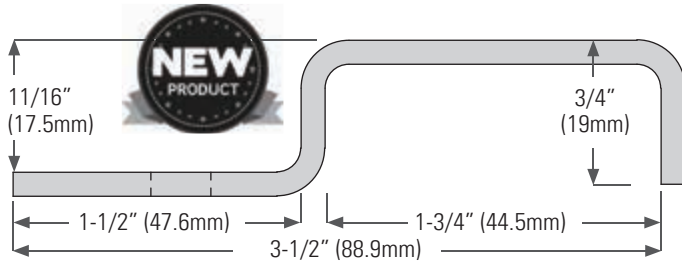
**\*Special Order  
4-6 weeks**

**DS188-4PS** Flat bar, steel prime coated 4" (102mm) wide, 84" only.

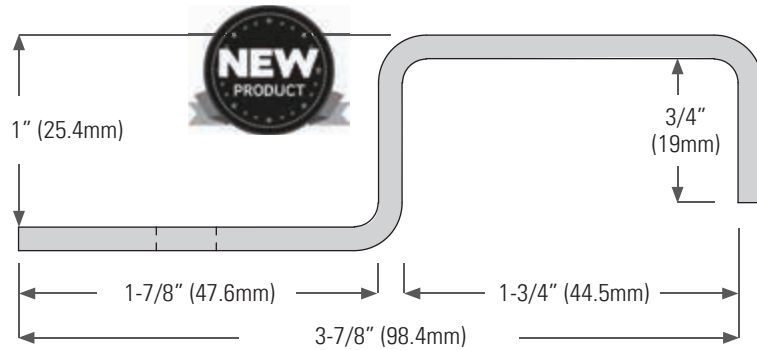


# HIGH SECURITY ASTRAGALS

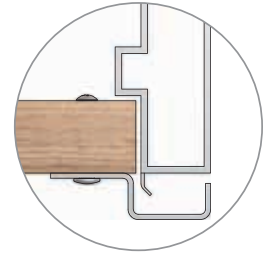
## Flat bar astragals, drilled (supplied with thru-bolts)



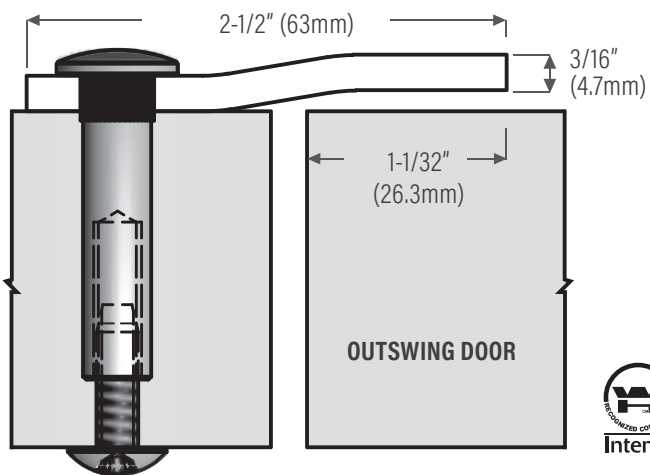
**DS186PS** Steel prime coated, custom. Lengths available 84" (2134mm)



**DS187PS** Steel prime coated, standard.  
Lengths available 84" (2134mm)



Continuous security latch protector, full height of door.



**DS179PS** Steel prime coated, pre-drilled. Lengths available: 84" (2134mm)

# ASTRAGALS

## Flat & T-Bar

Lengths available for DS180, DS182 and DS185: 84" (2134mm), 96" (2438mm) & 180" (4572mm)



### DS185CP

Extruded aluminum clear anodized with pile insert

### DS185DP

Bronze anodized



### DS7520-270G

Replacement Pile insert, grey for DS180 & DS185



### DS185CT

Extruded aluminum clear anodized with TPE (T) insert

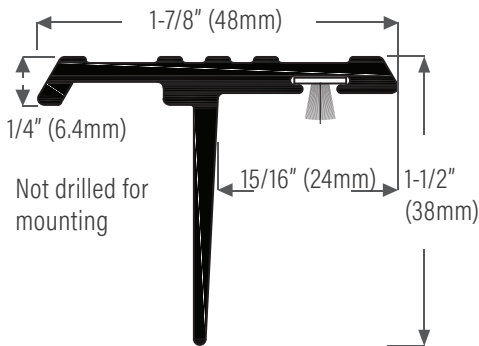
### DS185DT

Bronze anodized

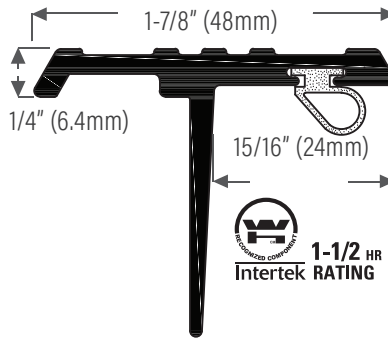


### DS17BL Replacement

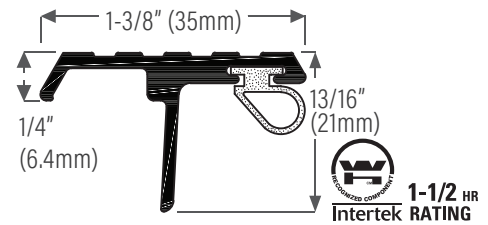
TPE insert, black for DS180 & DS185



**DS180CP** Extruded aluminum clear anodized with pile insert



**DS180CT** Extruded aluminum clear anodized with TPE (T) insert



**DS182** Extruded aluminum clear anodized with TPE (T) insert

**DS182CT84** Clear anodized 84" (2134mm)

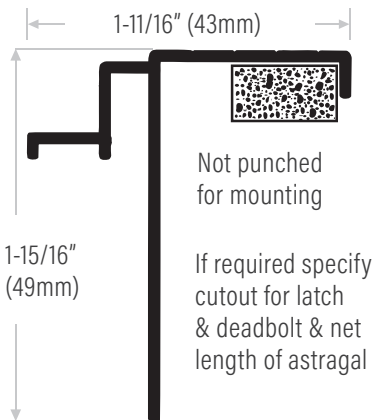
**DS182CT96** Clear anodized 96" (2438mm)

**DS182CT180** Clear anodized 180" (4572mm)

**DS182DT84** Bronze anodized 84" (2134mm)

**DS182DT96** Bronze anodized 96" (2438mm)

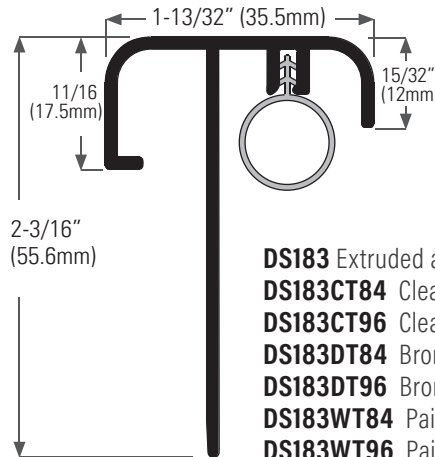
**DS182DT180** Bronze anodized 180" (4572mm)



**DS181D** Bronze anodized with neoprene gasket. Lengths available: 84" (2134mm) & 96" (2438mm)

**DS181C** Clear anodized

**DS181W** Painted white



**DS183** Extruded aluminum with TPE (T) insert

**DS183CT84** Clear anodized 84" (2134mm)

**DS183CT96** Clear anodized 96" (2438mm)

**DS183DT84** Bronze anodized 84" (2134mm)

**DS183DT96** Bronze anodized 96" (2438mm)

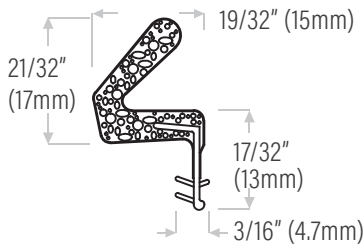
**DS183WT84** Painted white 84" (2134mm)

**DS183WT96** Painted white 96" (2438mm)



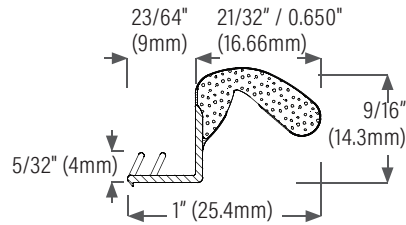
# WEATHERSEALING (KERF-INSERTED)

## DS434 Q-Foam Wrap Kerf Inserted Jamb Weatherseal



- DS434B81** Brown 81" (2057mm)
- DS434B97** Brown 97" (2464mm)
- DS434BL81** Black 81" (2057mm)
- DS434BL97** Black 97" (2464mm)
- DS434W81** White 81" (2057mm)
- DS434W97** White 97" (2464mm)

## E-Lon® .650 by Foam Tite® DS421 Kerf Inserted Jamb Weatherseal



- DS421BL**  
Black. Lengths: 37", 82", 86", 97"  
Full coil: 500 ft. (152m) or custom size coil up to 500 ft.
- DS421B**  
Brown. Lengths: 37", 82", 86", 97"  
Full coil: 500 ft. (152m) or custom size coil up to 500 ft.
- DS421W**  
White. Lengths: 37", 82", 86", 97"  
Full coil: 500 ft. (152m) or custom size coil up to 500 ft.

# MULTI-PURPOSE WEATHERSEAL TAPES

## Packaged Rolls



All adhesive backed tapes have a limited shelf life. These products must be used within 6 months of purchase & must be stored between 50° & 100° Fahrenheit (10° & 37.77° Celsius).

### Open Cell Polyurethane A/B Tapes

- DS831R** 3/16" thick x 3/8" wide x 16.5 ft. grey (4.7mm x 9.5mm x 5.02m)
- DS835R** 1/4" thick x 1/2" wide x 16.5 ft. grey (6.4mm x 12.7mm x 5.02m)
- DS837R** 3/8" thick x 3/8" wide x 16.5 ft. grey (9.5mm x 9.5mm x 5.02m)

### Neoprene Closed Cell Sponge A/B Tapes

- DS861R** 3/16" thick x 3/8" wide x 10 ft. black (4.7mm x 9.5mm x 3.04m)
- DS863R** 1/4" thick x 1/2" wide x 10 ft. black (6.4mm x 12.7mm x 3.04m)
- DS864R** 5/16" thick x 3/8" wide x 10 ft. black (8mm x 9.5mm x 3.04m)
- DS865R** 5/16" thick x 3/4" wide x 10 ft. black (8mm x 19mm x 3.04m)
- DS866R** 3/8" thick x 3/8" wide x 10 ft. black (9.5mm x 9.5mm x 3.04m)
- DS868R** 1/2" thick x 1" wide x 10 ft. black (12.7mm x 25.4mm x 3.04m)

### PVC Closed Cell Soft Foam A/B Tapes

- DS847R** 3/8" thick x 3/8" wide x 16.5 ft. grey (9.5mm x 9.5mm x 5.02m)
- DS848R** 3/8" thick x 3/4" wide x 16.5 ft. grey (9.5mm x 19mm x 5.02m)

### XI Cell/Cross-Linked Polyurethane A/B Tapes

- DS852R** 1/8" thick x 3/8" wide x 16.5 ft. white (3.2mm x 9.5mm x 5.02m)

### Camper Truck Tape-Closed Cell Sponge Vinyl A/B Tape

- DS885R** 3/16" thick x 1-1/4" wide x 30 ft. grey (4.7mm x 32mm x 9.14m)

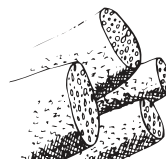
## Bulk Rolls

### Neoprenes (Black)

- DS61-50** 1/8" thick x 3/8" wide x 50 ft. BL (3.2mm x 9.5mm x 15.24m)
- DS67-50** 1/8" thick x 1/2" wide x 50 ft. BL (3.2mm x 12.7mm x 15.24m)
- DS74-25** 5/16" thick x 3/4" wide x 25 ft. BL (8mm x 19mm x 7.6m)
- DS76-12.5** 1/2" thick x 3/4" wide x 12.5 ft. BL (12.7mm x 19.5mm x 3.8m)
- DS78-50** 1/4" thick x 1" wide x 50 ft. BL (6.4mm x 25.4mm x 15.24m)
- DS79-12.5** 1/2" thick x 1" wide x 12.5 ft. BL (12.7mm x 25.4mm x 3.8m)

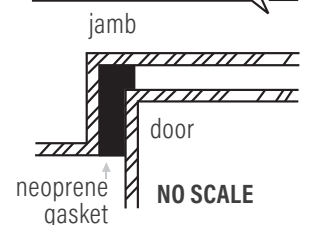
## Backer Rod

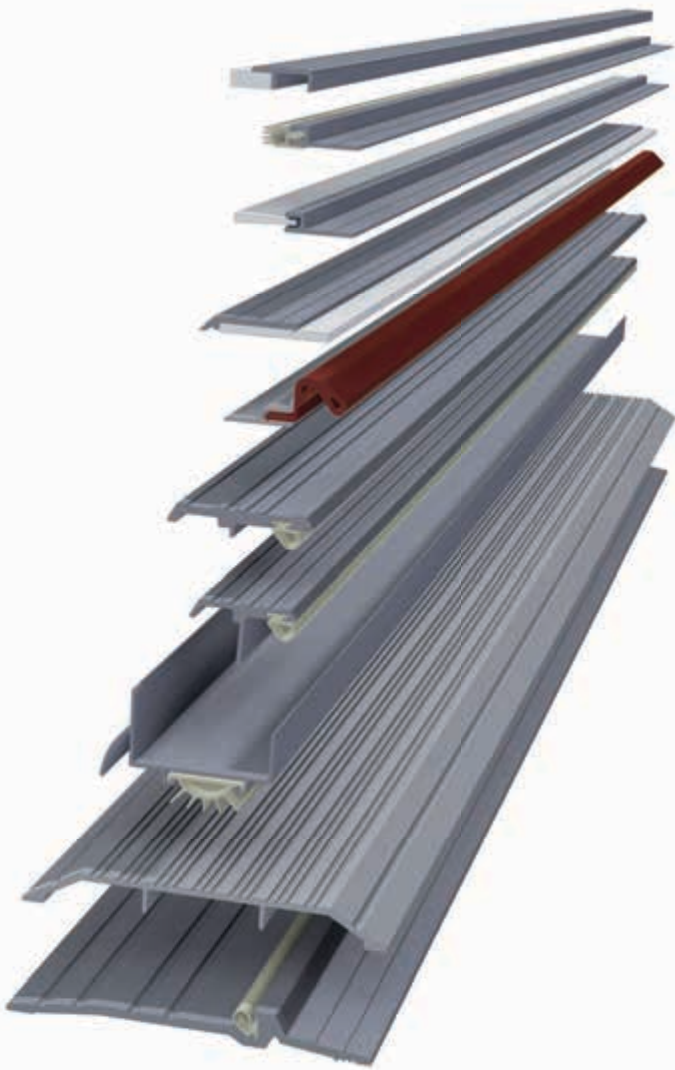
- DSROD1/4** 1/4" (6.3mm) diameter 4000 ft (1219m) per carton
- DSROD3/8** 3/8" (9.5 mm) diameter 2100 ft (640m) per carton
- DSROD1/2** 1/2" (12.7 mm) diameter 2500 ft (762m) per carton
- DSROD3/4** 3/4" (19mm) diameter 1100 ft (335m) per carton
- DSROD1** 1" (25.4mm) diameter 600 ft (182m) per carton



Sealant backer rod is an extruded round, grey, closed-cell low-density polyethylene foam with a skin-like outer texture. It is an ideal non-absorbent, compressible, back-up material inserted into a joint to control sealant tooling. Available in footage or bulk coils.

### OVERHEAD VIEW





# DraftSeal<sup>®</sup>

Weathersealing Specialists Since 1960

---

## Head Office & Manufacturing Centre, Vancouver, Canada

Unit 100 - 4825 275th St, Langley, B.C. V4W 0C7 Canada

Phone: (604) 451-1080 • Fax: (604) 451-1140 • [www.draftseal.com](http://www.draftseal.com) • [info@draftseal.com](mailto:info@draftseal.com)

Outside Vancouver, B.C., please use our toll free numbers: Phone: 1-888-520-9009 Fax: 1-800-567-2887

## Branch Office & Manufacturing Centre, Toronto, Canada

Phone head office toll free 1-888-520-9009 for branch address

## Branch Office & Distribution Centre, Los Angeles, California, USA

Phone head office toll free 1-888-520-9009 for branch address