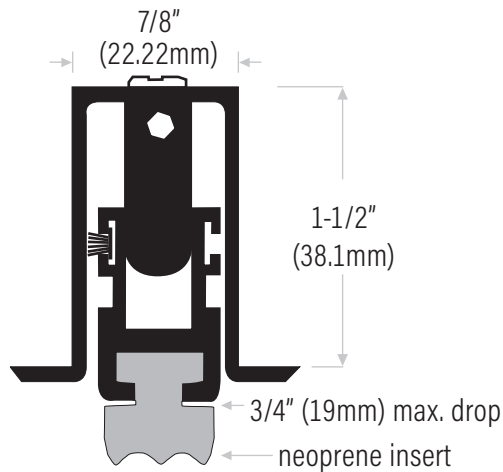


## Automatic Door Door Bottom, Mortise Application

15/16" x 1-5/8" (24mm x 41.5mm)



Lengths available:

23-3/4" (603mm) special order only

27-3/4" (705mm)

29-3/4" (756mm)

31-3/4" (806mm)

35-3/4" (908mm)

41-3/4" (1060mm)

47-3/4" (1213mm)



**423N** Extruded aluminum mill finish with neoprene insert, black. Available with lead insert for radiation shield. Specify "lead lined" custom order, call for manufacturing time.