

DraftSeal®

NGP

Weathersealing Specialists Since 1960



THRESHOLDS & WEATHERSEALS FOR COMMERCIAL DOOR APPLICATIONS

REFER TO DRAFTSEAL RESIDENTIAL CATALOGUE FOR PRE-HUNG DOOR COMPONENTS: SILLS, SWEEPS, WEATHERSEALS & ASTRAGALS

DraftSeal® Full Line Commercial Catalogue • Revision (6) September 2024

PRINTED CATALOGUE MAY NOT BE UP TO DATE, ALWAYS REFER TO PRODUCT WEBSITE FOR MOST UP TO DATE CONTENT

ABOUT A.K. DRAFT SEAL ULC & KRISTRACK

Tomorrow's Innovative Solutions for Today's Doors & Windows



Weathersealing Specialists Since 1960 - Weatherstripping, Thresholds, Sweeps & Astragals

Draft Seal Co. was founded in 1960 by Anton Kamensek then incorporated in 1973 as **A.K. Draft Seal ULC**. During the 1990's we became known by our trademark name **DraftSeal®**, the largest manufacturer of weatherstrip products in Western Canada. After his retirement in the early 1990s, his son, Chris, who had been with the company since 1973, purchased **DraftSeal®** and started the **Kristrack®** division. The year 2010 marked the 50th year in business for **DraftSeal®** as a manufacturer and supplier of weathersealing and door sill products for commercial and residential applications.

In 2013 we introduced our new DS1 Storm - Sill System to comply with the new building code that requires exterior door sill systems to be tested for air, water and structural. We will be introducing our new DSF1 Accordion Screen, which is integrated with our DS1 Storm - Sill System. Our manufacturing centre in British Columbia, Canada, produces a line of weatherstrip and sill products for the pre-hung door industry as well as a do-it-yourself line of residential weatherstripping for the consumer market.

In early 2023 A.K. Draft Seal Ltd and Kristrack Manufacturing were acquired by National Guard Products (NGP). NGP is a family-run business and is a leading manufacturer of quality commercial door products—founded in 1935 on a commitment to customer service. Moving forward, our new name is A.K. Draft Seal ULC.



Interior Track And Hardware For Sliding, Bifold And Pocket Doors

KrisTrack® Manufacturing ULC, was formed in 1991 to compliment the **DraftSeal®** line of weathersealing and door sill products. **KrisTrack®** manufactures and supplies sliding and bifold door track with accompanying hardware and accessories; applications include residential, commercial and industrial. The year 2016 marked the 25th year in business for **KrisTrack**. Our manufacturing centre in British Columbia, Canada, also produces a line of specialty pocket door frames custom made in knock down, half knock down, and ready-made styles.

General Information & Terms

This **DraftSeal®** Catalogue supersedes all previous versions. Please visit **DraftSeal.com** for our full terms & conditions, freight, warranty, returns & allowances, claims policy, & other general information.

Product drawings throughout this catalogue are representations of the product size, dimensions, shape, etc. Changes & updates to this catalogue may occur without notice. This may include, but not limited to, specifications, product availability & product materials. A.K. Draft Seal ULC will not be held liable for any changes to this catalogue, or products depicted in this catalogue that may not match our CAD drawings.

A.K. Draft Seal ULC will not be liable for defects or damages arising from improper installation, product modification, incorrect application or storage of product. Written notice of damages must occur within the warranty period. Liability shall be limited to the replacement of product or component determined to be defective & shall not include costs arising from removal or reinstallation of product. Cost of replacement shall not exceed original purchase price. No other claims will be allowed. In no event shall liability be extended to include punitive, incidental or consequential damages arising from use of A.K. Draft Seal ULC products. This is the sole warranty given by A.K. Draft Seal ULC. No other warranty implied or expressed shall be allowed.

By purchasing our products you agree to our Terms & Conditions herein stated.

INDEX

PROD #	PAGE #	PROD #	PAGE #	PROD #	PAGE #	PROD #	PAGE #
103NA	30	DS149	29	DS277X7TBAN	16	DS2002	14
107NA	30	DS150	29	DS277X8TBAN	16	DS2220	14
108NA	30	DS156	26	DS333	11, 12	DS2648	4, 22, 23
122NA	31	DS158	26	DS338	30	DS3330	14
125NA	36	DS161	29	DS351	21	DS4000	9
140PA	36	DS162	29	DS353	21	DS4000LA	10
170SA	32	DS164	29	DS388	28	DS4001TBA	14
223N	25	DS166	29	DS400	14, 8	DS4440	14
320NA	25	DS174	31	DS401TBA	18	DS5000	9
335N	25	DS176	11	DS415	34	DS5001TBA	14
420NA	24	DS177	19	DS421	41	DS5006SS	20
423N	24	DS177X4TBAN	16	DS422	35	DS5007SS	20
675A	36	DS177X5TBAN	16	DS424	35	DS5555	13
2525C	33	DS177X6TBAN	16	DS434	41	DS6000	9
5050C	33	DS178	19	DS444	11, 12	DS6001TBA	14
B606A	36	DS179	39	DS444HA	13	DS6002TBA	14
DST33BL	32	DS180	40	DS500	8	DS6666	13
DS61-50	41	DS181	40	DS501TBA	18	DS7000	9
DSS66	38, 33	DS182	40	DS510SS	10	DS7001TBA	15
DS67-50	41	DS183	40	DS555HA	13	DS7777	13
DS74-25	41	DS184	38	DS600	8	DS8000	9
DS76-12.5	41	DS185	40	DS600HA	10	DS8001TBA	15
DS78-50	41	DS186	39	DS601TBA	18	DS9002TBA	15
DS79-12.5	41	DS187PS	39	DS602TBA	18	DS10001	22
DS95	8	DS188	38	DS603TBA	17	DS10002TBA	15
DSS99D	33	DS200	14	DS606	20	DS11000	22
DS100	32	DS201	17	DS666HA	13	DS12000	22
DS103	36, 32	DS202TBAN	17	DS700	8	DS13000	22
DS104	32	DS205TBI	17	DS701TBA	18	DS14000	22
DS116	34	DS206TBI	14, 15	DS703TBA	17	DS ROD	41
DS117	34	DS210	28	DS777HA	13	DS FIN-PILE	37
DS118	32	DS211	28	DS800	8	DS TAPES	41
DS120	11	DS212	28	DS800HA	10		
DS121	11	DS216	28	DS801TBA	18		
DS130	32	DS217	28	DS803TBA	17		
DS133	32	DS222	11, 12	DS804TBA	17		
DS136	27	DS234	28	DS903TBA	17		
DS137	36	DS236	12	DS1000HA	23		
DS138	27	DS236-4	12	DS1003TBA	17		
DS141	32	DS243	31	DS1200HC	23		
DS140	26	DS275TBAN	17	DS1300HA	23		
DS144	26	DS276TBAN	17	DS1400HA	23		
DS148	36, 29	DS277X6TBAN	16	DS2000	10		

General Information & Terms

This DraftSeal® Catalogue supersedes all previous versions. Please visit DraftSeal.com for our full terms & conditions, freight, warranty, returns & allowances, claims policy, and other general information.

Ordering

Please order material by catalogue number, specifying length required & number of pieces. Most weatherseals & thresholds are stocked in standard sizes & most are available in lengths up to 12 ft (3657mm). Thresholds are cut with 1/2" (12.7mm) to 1" (25.4mm) extra for trimming to size. For exact size, order threshold or weatherseal to specified length followed by "NET".

Thresholds ordered under 36" (914mm) will be charged as 36" (914mm).

Products ordered over 6 ft. (189mm) but under 9 ft. (2743mm) will be charged as 9 ft. (2743mm).

Products ordered over 9 ft. (2743mm) but under 12 ft. (3658mm) will be charged as 12 ft. (3658mm).

Please refer to DraftSeal full line price list for all product numbers, finishes, lineals, lengths & coil lengths.

Threshold Lengths

Thresholds are supplied with punched countersunk holes with screws and plugs and are only available in the following NET lengths:

36-1/2" (927mm), 49" (1245mm), 73" (1854mm), 110" (2794mm), 147" (3734mm) stock length.

Extra wide thresholds 9" (229mm) and over are supplied punched unless otherwise specified.

Jamb & Header Weatherseal Lengths

Weatherseals are supplied with punched holes and screws and are only available in the following NET lengths / sets:

1/3' x 2/7' (914 x 2134mm) set, 1/3' x 2/8' (914 x 2438 mm) set, 1/6' x 2/7' (1829 x 2134mm) set, 3 x 8' (2438mm) set & 1 x 14' (4267mm) length

Door Bottom Sweep Lengths

Door bottom sweeps are supplied with punched holes and screws and are only available in the following NET lengths:

36" (914mm), 48" (1219mm), 84" (2134mm) & 96" (2438mm)

PVC Protective Tape



DS2648 PVC protective tape, apply to any sill or threshold. Purchase by roll. 6" (154mm), 8" (203mm), 12" (304mm) widths, 500' roll each.

Materials, Finishes & Fabrication

Aluminum

All aluminum extrusions are alloy 6063T5 & are furnished in mill finish (A). Some are available in clear anodized (C), bronze anodized (D).

Vinyl Inserts (flexible)

All cold temperature vinyl (p.v.c.) inserts are extruded from pure vinyl raw material.

TPE (T) inserts (flexible)

Some inserts are available in thermal plastic elastomer material. This TPE material has low temperature flexibility (remains flexible down to -80° Fahrenheit (-62° Celsius). It has excellent U.V. stability & resistance to compression set. It is designed for applications requiring non flammability. It also has good chemical resistance to alcohols, acids & bases.

Neoprene (Neoprene spec applies to certain products)

Synthetic rubber polymer blend: Polychloroprene & EPDM, very good abrasion resistance, tensile strength & memory, flame & moisture resistant. Temperature range -30° to 250° Fahrenheit (-34° to 121° Celsius). Good resistance to ozone, sunlight & aging; BHMA Certified to ANSI/BHMA A156.22 performance tests for Heat, Cold, Air Infiltration & Smoke Infiltration.

Silicone (Silicone spec applies to certain products)

Synthetic rubber polymer: Polysiloxane. Excellent flexibility & memory, flame & moisture resistant. Temperature range -100°F to 500°F, remains flexible at extreme temperatures. Excellent resistance to ozone, UV & aging. Recommended for areas using FM200 or Halon Fire Suppression Systems. BHMA Certified to ANSI/BHMA A156.22 performance tests for Heat, Cold, Air Infiltration & Smoke Infiltration.

Vinyl (rigid)

All PVC rigid profiles are extruded from PVC raw materials & are available in Solid Brown (B), White (W), Grey (G), Black (BL) & Sandstone (S) as indicated. Some profiles are extruded as Dual Durometer (flexible & rigid PVC fused together).

Screws

All thresholds are punched & countersunk for #10 Robertson flat head wood screws. Plated screws & plastic anchors of appropriate length are furnished with all aluminum & oak thresholds free of charge. All aluminum weatherseals are punched with slotted holes for #6 quad truss head self drilling screw. Plated screws of appropriate length are furnished with all weatherseals free of charge. Antique bronze-plated screws of appropriate length are furnished with all bronze anodized weatherseals & thresholds free of charge. Yellow zinc screws supplied with gold anodized & bright dip gold products.

Standard Finishes

- | | |
|-----------------------------------|---------------------------------|
| A Mill finish aluminum | W Painted white aluminum |
| C Clear anodized aluminum | B Painted brown aluminum |
| D Bronze anodized aluminum | SS Stainless steel |

Inserts

- | | |
|-----------------------------|---|
| N Neoprene or rubber | S Silicone seal or sponge silicone |
| NB Nylon brush | V Vinyl |
| P Pile | T TPE (Thermoplastic elastomer) |
| R Sponge neoprene | |

Insert Colors

- | | |
|-------------|-------|
| GREY | Grey |
| BL | Black |
| TAN | Tan |

Fabrication Options

RIP: Width  | **L-NOTCH:** Both ends of threshold  | **U-NOTCH:** Both ends of threshold 

Custom Fabrication

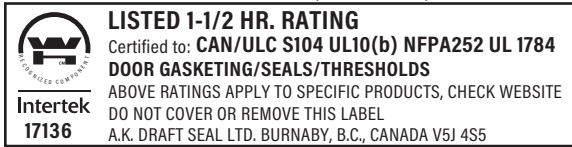
Charges will apply for any ripping of thresholds, custom fabrication, custom drilling or punch pattern.

Product Testing & Classification Symbols

Symbols below & throughout this 2024 Catalogue are most up-to date & supersede all other information in print.

The Symbols below are shown adjacent to products throughout the catalogue to help identify products that meet specific ratings and/or code requirements. The 2 actual adhesive backed labels shown below are adhered to each of our rated products.

ACTUAL PRODUCT LABEL (NOT TO SCALE)



Tested in accordance with CAN/ULC S104, ASTM E-152, CFSM 43.7, NFPA 252-08, UBC 7-2-1997, UL 1784 (Formerly UBC 43-2-1991), UL 10(b) (2008).
Listed for Canada & USA - Fire Rated

Products indicated by this symbol are rated, listed & labelled as material for use on listed steel frames & listed swinging type fire doors of the hollow metal or steel covered composite type rated up to 1-1/2 hours. These products have been listed & labelled as a result of testing done by Warnock Hersey certifying that these products do not adversely affect the fire resistance of the door or frame. Products are regularly checked under the follow up factory inspection & certification service for manufacturing compliance with Warnock Hersey specifications. Contact A.K. Draft Seal ULC for further information.



Tested in accordance with UL 10(b) (2009) - Fire Tests of Door Assemblies, and CAN/ULC S104-10 – Standard Method for Fire Tests of Door Assemblies.

ACTUAL PRODUCT LABEL (NOT TO SCALE)



Tested in accordance with CAN/ULC S104, ASTM E-152, CFSM 43.7, NFPA 252-08, UBC 7-2-1994 (Formerly UBC 43-2-1991), UL 10(b) (2008).
Listed for Canada & USA - Fire Rated

These products have been listed & labelled as a result of testing done by Warnock Hersey certifying that these products do not adversely affect the fire resistance of the door or frame. Products are regularly checked under the follow-up factory inspection & certification service for manufacturing compliance with Warnock Hersey specifications. Contact A.K. Draft Seal ULC for further information. Thresholds or sills for use with listed wood frames & listed swinging type doors of wood or steel faced construction, 20 minute rated. Gasketing material for use on listed wood or steel frames & listed swinging type fire doors of wood or steel faced construction, 20 minute rated.



Smoke Tested to UL: 1784 (2015). Meets requirements for NFPA 105. Products indicated by this symbol are listed by Intertek as having been tested in accordance with Standard UL 1784 Air leakage tests of door assemblies, and meet the performance criteria for allowable air leakage as specified in NFPA 105 - Installation of Smoke Control Door Assemblies.



Barrier Free Meets requirements of ADAAG - 1998 & ICC / ANSI A177.1-1998. Products indicated by this symbol are access compliant by having installed height differences not over 1/2" (12.7mm) with allowable edge & slope conditions.



UL10B & CAN4-S104-80M Classified, Complies with NFPA 80 & NFPA 252 for application to Steel fire doors rated up to 3 Hrs., & Wood type fire doors rated up to 90 minutes. (Rating on some items vary & are noted.)



Positive Pressure UL10C Classified, Category 'J'; complies with IBC, NFPA 80 & NFPA 252 for application to Positive Pressure Steel fire doors rated up to 3 Hrs., & Wood type fire doors rated up to 90 minutes. (Ratings on some items vary & are noted.)



NGP-EDGE Sealing System, Category 'G' classified; required for Category B classified wood type fire doors to meet positive pressure requirements complying with IBC, & NFPA 252. See individual products for maximum door size & ratings.



Smoke & Draft Control Gasketing, Category 'H' classified; complies with IBC, UL1784 & NFPA 105 for use on 'S' labeled Positive Pressure Steel fire doors rated up to 3 hours, & wood type fire doors rated up to 90 minutes. (Ratings on some items vary & are noted.)



Acoustical Tested to ASTM E90 standard test method for laboratory measurement of airborne sound transmission loss of building partitions & elements, & astm e1408 standard test method for laboratory measurement of the sound transmission loss of door panels & door systems.



Air Infiltration Tested to ASTM E283, standard test method for determining rate of air leakage through exterior windows, curtain walls, & doors.



Fire Rated 3 Hours



Smoke Tested



UL Rating



Air Infiltration Tested

Thresholds

PRODUCT TYPE	PROFILE EXAMPLE	ADA	RATED PROD. AVAILABLE	PAGE NUMBER
1/2" (12.7mm) rise thresholds				8
1/4" (6.4mm) low rise thresholds				9, 10
Specialty thresholds stainless steel & heavy duty				10
Stop strip & bumper thresholds				11
Floor transition & half thresholds				12
Low rise half & heavy duty half thresholds				13
Low rise thermally broken thresholds & components				14
Low rise thermally broken thresholds				15
Thermally broken thresholds & panic exit thresholds				16, 17
Thermally broken thresholds				18
Panic exit thresholds				19
Ramp thresholds & flat stainless steel thresholds				20
Oak thresholds				21
Specialty low rise thresholds 9" to 14" (229 to 356mm) extra wide				22, 23
Specialty thresholds 9" to 14" (229 to 356mm) extra wide				24, 25

Door Weatherseals, Sweeps, Meeting Stiles, Astragals

PRODUCT TYPE	PROFILE EXAMPLE	RATED PROD. AVAILABLE	PAGE NUMBER
Automatic door bottoms (surface & mortise)			26, 27
Door bottom sweeps			28, 29
Door shoes & door cap cap			30
Rain drips & brush door bottom sweeps			31
Jamb mounted weatherseals & sound seals			32-34
Jamb mounted sound seals			33
Adhesive backed / jamb gasket seals			35
Adhesive backed / jamb weatherseals & intumescent seals			36
Retrofit door weathersealing kits			37
Meeting stiles			38
Meeting stiles & fin pile seals			39
Astragals (flat & t-bar), security			40, 41, 42

Specialty Products

PRODUCT TYPE	PROFILE EXAMPLE	PAGE NUMBER
Multipurpose (neoprene & foam) adhesive backed tapes, fin pile		39, 43
DS2648 PVC protective tape, apply to any sill or threshold. Purchase by roll. 6" (154mm), 8" (203mm), 12" (304mm) widths, 500' roll, each		4, 23, 25

Residential Door Products

PRODUCT TYPE	PROFILE EXAMPLE	Refer to DraftSeal residential catalogue
Pre-hung door sill, sweeps, jamb seals, astragals & corner pads		

THRESHOLDS

1/2" (12.7mm) Rise Thresholds

1/2" (12.7mm)

4" (102mm)

DS400A Extruded aluminum mill finish
DS400D Bronze anodized

1-1/2 HR RATING
.518 lbs./ft. (.771 kg/m)

1/2" (12.7mm)

5" (127mm)

DS95A Extruded aluminum mill finish

1-1/2 HR RATING
.493 lbs./ft. (.734 kg/m)

1/2" (12.7mm)

5" (127mm)

DS500A Extruded aluminum mill finish
DS500D Bronze anodized

1-1/2 HR RATING
.606 lbs./ft. (.902 kg/m)

1/2" (12.7mm)

6" (152mm)

DS600A Extruded aluminum mill finish
DS600D Bronze anodized

1-1/2 HR RATING
.747 lbs./ft. (1.112 kg/m)

1/2" (12.7mm)

7" (178mm)

DS700A Extruded aluminum mill finish
DS700D Bronze anodized

1-1/2 HR RATING
.913 lbs./ft. (1.359 kg/m)

1/2" (12.7mm)

8" (203mm)
product not shown full width

DS800A Extruded aluminum mill finish
DS800D Bronze anodized

1-1/2 HR RATING
1.158 lbs./ft. (1.724 kg/m)

Thresholds on this page are supplied with punched countersunk holes with screws and plugs and are only available in the following NET lengths (except as noted):

36-1/2"	927mm
49"	1245mm
73"	1854mm
110"	2794mm
147"	3734mm

THRESHOLDS

1/4" (6.4mm) Low Rise Thresholds

Thresholds on this page are supplied with punched countersunk holes with screws and plugs and are only available in the following NET lengths (except as noted):

36-1/2"	927mm
49"	1245mm
73"	1854mm
110"	2794mm
147"	3734mm

1/4" (6.4mm)

4" (102mm)

DS4000A Extruded aluminum mill finish
DS4000D Bronze anodized

1-1/2 HR Intertek RATING
 .598 lbs./ft. (.890 kg/m)

1/4" (6.4mm)

5" (127mm)

DS5000A Extruded aluminum mill finish
DS5000D Bronze anodized

1-1/2 HR Intertek RATING
 .712 lbs./ft. (1.06 kg/m)

1/4" (6.4mm)

6" (152mm)

DS6000A Extruded aluminum mill finish
DS6000D Bronze anodized

1-1/2 HR Intertek RATING
 .835 lbs./ft. (1.243 kg/m)

1/4" (6.4mm)

7" (178mm)

DS7000A Extruded aluminum mill finish
DS7000D Bronze anodized

1-1/2 HR Intertek RATING
 .954 lbs./ft. (1.42 kg/m)

1/4" (6.4mm)

8" (203mm)
 product not shown full width

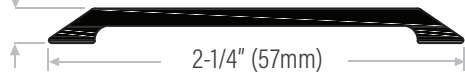
DS8000A Extruded aluminum mill finish
DS8000D Bronze anodized

1-1/2 HR Intertek RATING
 1.1047 lbs./ft. (1.638 kg/m)

THRESHOLDS

Specialty Thresholds

3/16" (4.7mm)



DS2000A Extruded aluminum mill finish

DS2000D Bronze anodized



Thresholds on this page are supplied with punched countersunk holes with screws and plugs and are only available in the following NET lengths (except as noted):

36-1/2"	927mm
49"	1245mm
73"	1854mm
110"	2794mm
147"	3734mm

1/8" (3mm)



DS4000LA Extruded aluminum mill finish. Holes are punched & staggered when specified.

Length available: 12ft (3658mm) only. **Note: Special order only, minimum run required 1500LF**



1/4" (6.35mm)



DS5005C Extruded aluminum, clear anodized finish.

Stainless Steel

1/2" (12.7mm)

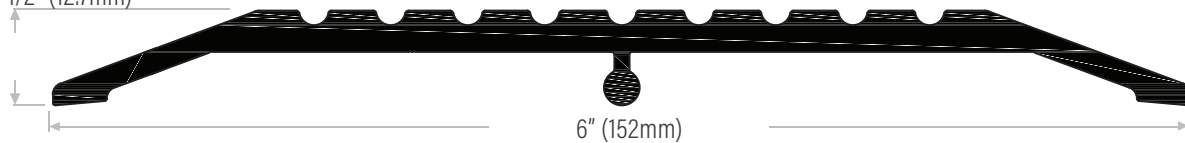


DS510SS Stainless steel, 304 SS brushed finish. Lengths available: 36-1/2" (927mm) 73" (1854mm) 120" (3048mm).



Heavy Duty (H) Thresholds (Mill finish is standard. Bronze anodized available on custom order)

1/2" (12.7mm)



DS600HA Extruded aluminum heavy duty, mill finish or black anodized



1/2" (12.7mm)

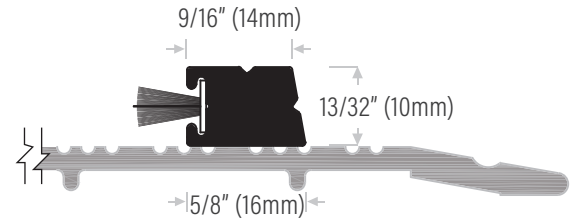
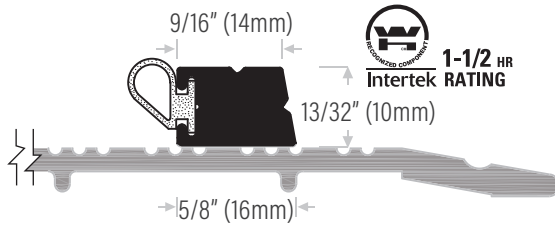


DS800HA Extruded aluminum heavy duty, mill finish or black anodized



THRESHOLDS

Stop Strip (Threshold Applied)

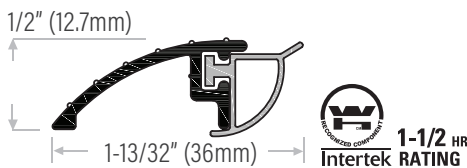


DS176AN Extruded aluminum mill finish with TPE (T) insert, black, rated (Threshold not included, order separately)

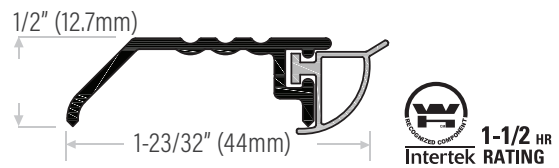
DS176AP Extruded aluminum mill finish with pile insert, grey, **not rated**. Threshold not included, order separately

Bumper strip may be fastened to various DS thresholds to accommodate vertical rod panic hardware, where wide panic exit thresholds are required.

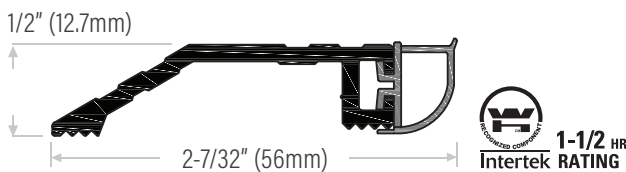
Bumper Thresholds



DS121AV Extruded aluminum mill finish with vinyl insert, grey
DS121AVBL Mill finish with vinyl insert, black
DS121DVBL Brown with black insert



DS120AV Extruded aluminum mill finish with vinyl insert, grey
DS120AVBL Mill finish with black insert
DS120DVBL Bronze anodized with black insert



DS222AV Extruded aluminum mill finish with vinyl insert, grey
DS222DV Black anodized



DS333AV Extruded aluminum mill finish with vinyl insert, grey
DS333DV Black anodized



DS444AV Extruded aluminum mill finish with vinyl insert, grey
DS444DV Black anodized

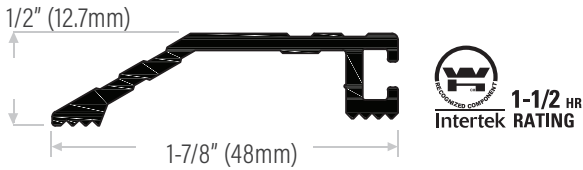


Thresholds on this page are supplied with punched countersunk holes with screws and plugs and are only available in the following NET lengths (except as noted):

36-1/2"	927mm
49"	1245mm
73"	1854mm
110"	2794mm
147"	3734mm

THRESHOLDS

Half Thresholds



DS222A Extruded aluminum mill finish
DS222D Black anodized



DS333A Extruded aluminum mill finish
DS333D Black anodized



Half thresholds on this page are supplied with punched countersunk holes with screws and plugs and are only available in the following NET lengths (except as noted):

36-1/2"	927mm
49"	1245mm
73"	1854mm
110"	2794mm
147"	3734mm



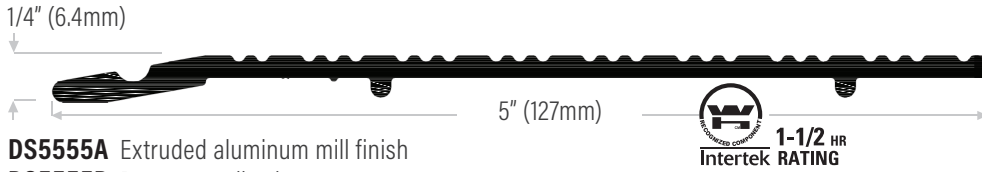
DS444A Extruded aluminum mill finish
DS444D Black anodized



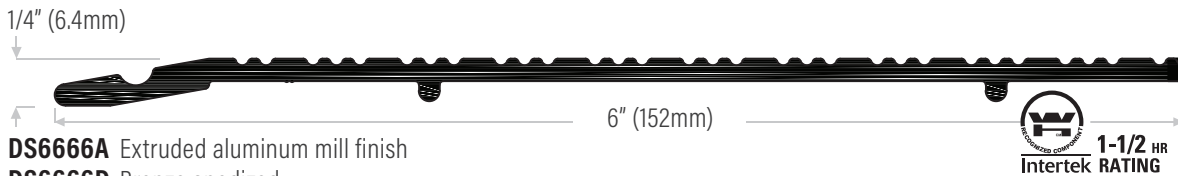
THRESHOLDS

Low Rise Half Thresholds NOTE: Thresholds on this page are non-returnable. Manufacturing time required for bronze anodized finish.

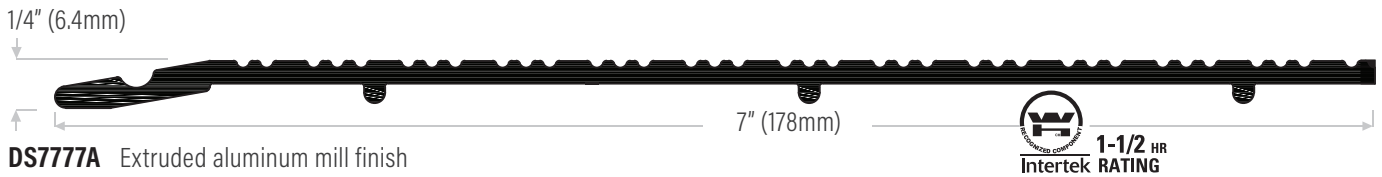
Thresholds on this page are supplied with punched countersunk holes with screws and plugs and are only available in these NET lengths (except as noted): 36-1/2" (927mm), 110" (2794mm), 49" (1245mm), 147" (3734mm) & 73" (1854mm)



DS5555A Extruded aluminum mill finish
DS5555D Bronze anodized



DS6666A Extruded aluminum mill finish
DS6666D Bronze anodized



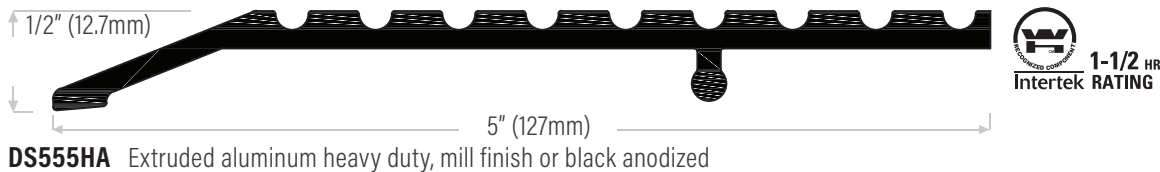
DS7777A Extruded aluminum mill finish
DS7777D Bronze anodized



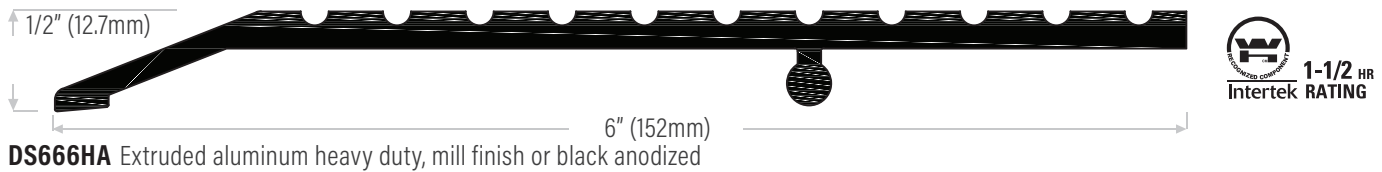
Heavy Duty Half Thresholds



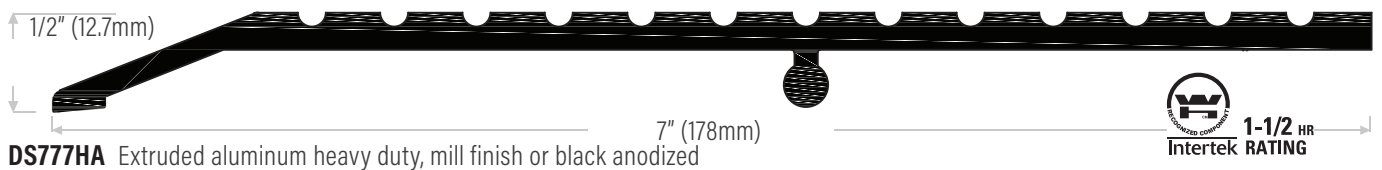
DS444HA Extruded aluminum heavy duty, mill finish or black anodized



DS555HA Extruded aluminum heavy duty, mill finish or black anodized



DS666HA Extruded aluminum heavy duty, mill finish or black anodized

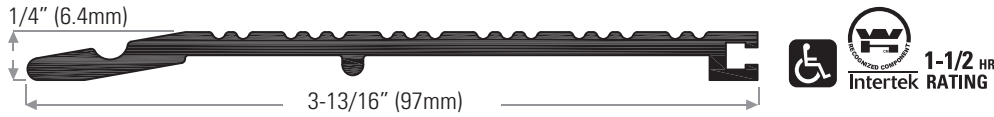


DS777HA Extruded aluminum heavy duty, mill finish or black anodized

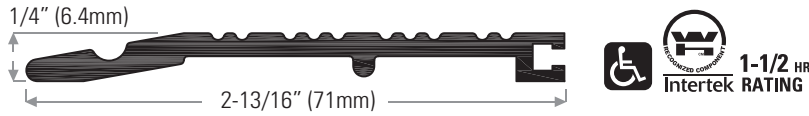


THRESHOLDS

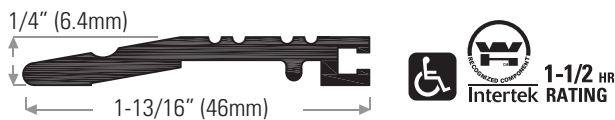
Low Rise Half Thresholds / Components



DS4440A Extruded aluminum mill finish or black anodized



DS3330A Extruded aluminum mill finish or black anodized

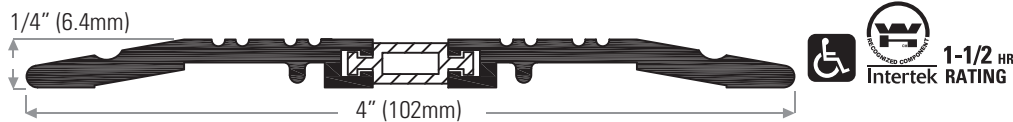


DS2220A Extruded aluminum mill finish or black anodized

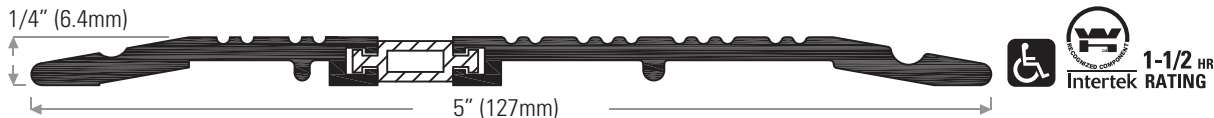
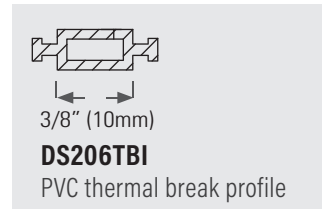


DS2002A Extruded aluminum mill finish or black anodized

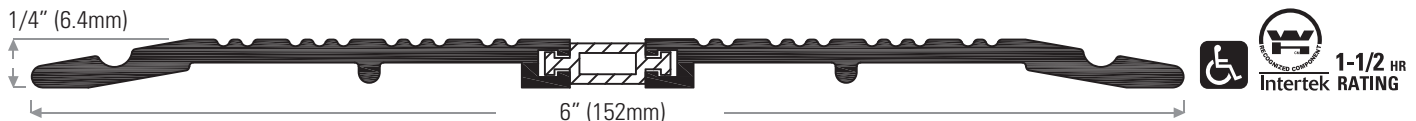
Thermally Broken 1/4" (6.4mm) Low Rise Thresholds



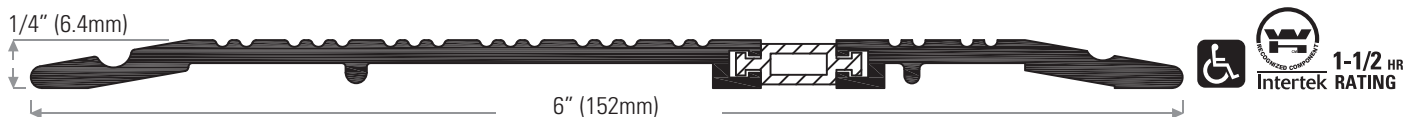
DS4001TBA Extruded aluminum mill finish or black anodized, thermally broken



DS5001TBA Extruded aluminum mill finish or black anodized, thermally broken



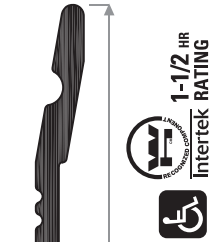
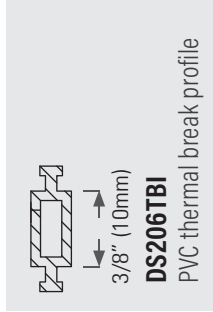
DS6001TBA Extruded aluminum mill finish or black anodized, thermally broken



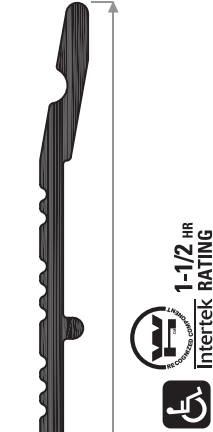
DS6002TBA Extruded aluminum mill finish or black anodized, thermally broken

THRESHOLDS

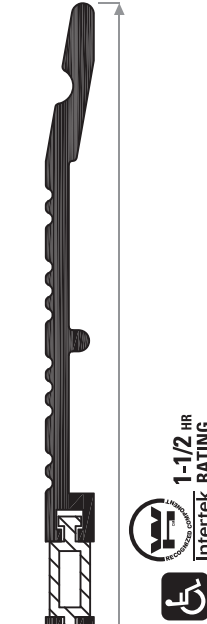
Thermally Broken 1/4" (6.4mm) Low Rise Thresholds



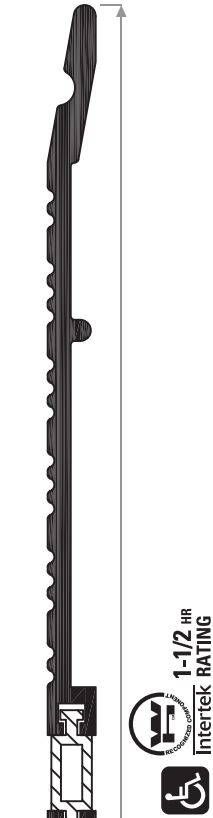
1/4" (6.4mm)
DS7001TBA Extruded aluminum mill finish or black anodized, thermally broken



1/4" (6.4mm)
DS8001TBA Extruded aluminum mill finish or black anodized, thermally broken




1/4" (6.4mm)
DS9002TBA Extruded aluminum mill finish or black anodized, thermally broken

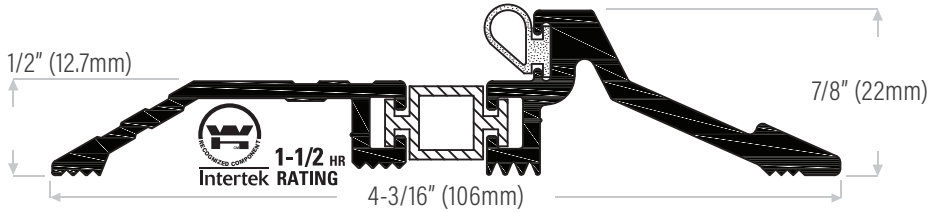


1/4" (6.4mm)
DS10002TBA Extruded aluminum mill finish or black anodized, thermally broken

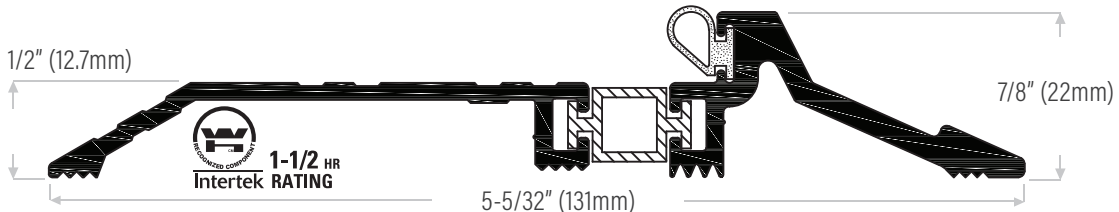
THRESHOLDS

Latching Panic Exit, Thermally Broken (TB) Thresholds

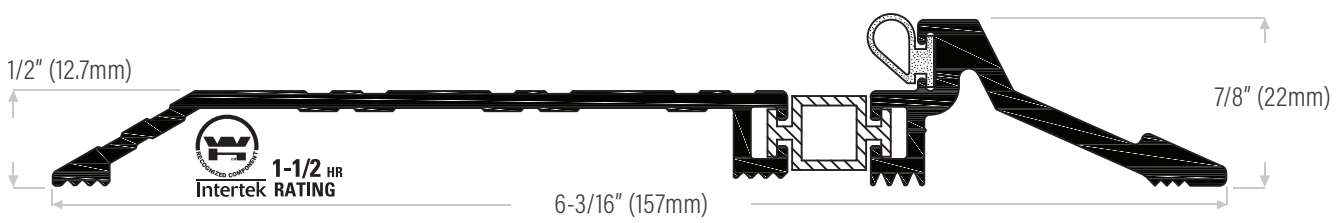
 **DST17BL**
Replacement
TPE (T) insert,
black



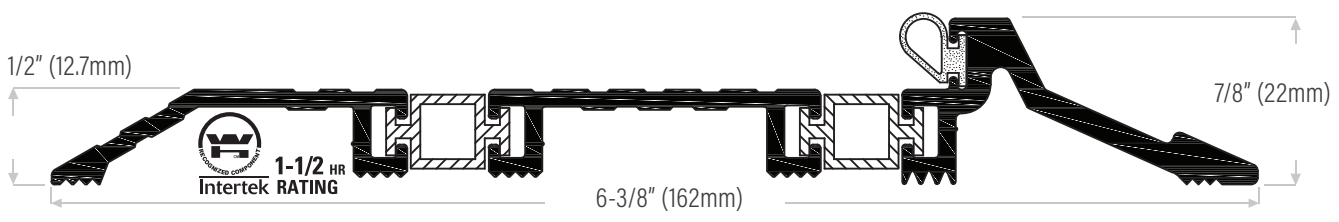
DS177X4TBAN Mill finish or black anodized with vinyl thermal break & TPE (T) insert, black (rated)



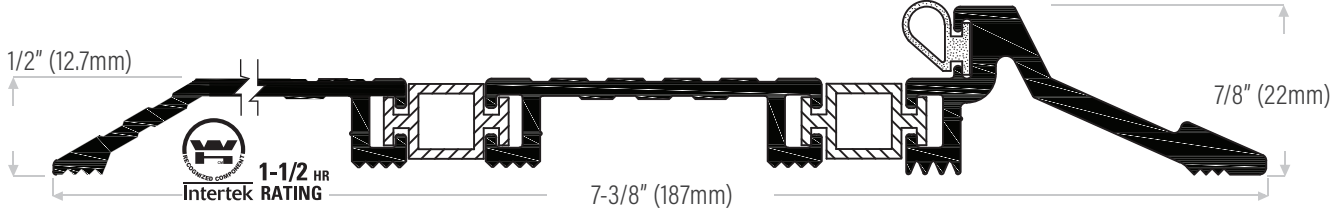
DS177X5TBAN Mill finish or black anodized with vinyl thermal break & TPE (T) insert, black (rated)



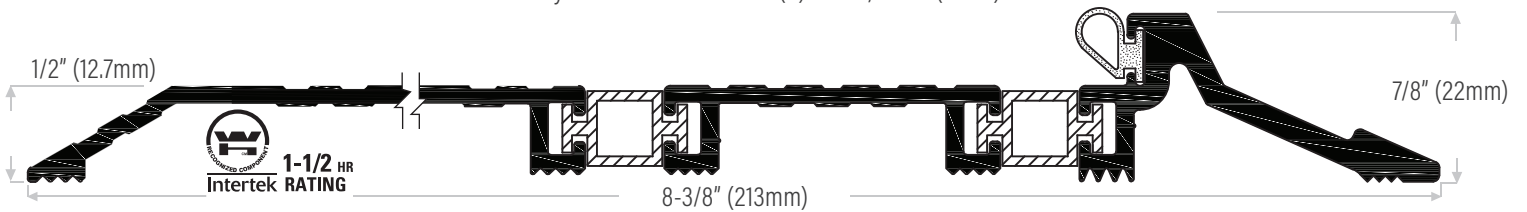
DS177X6TBAN Mill finish or black anodized with vinyl thermal break & TPE (T) insert, black (rated)



DS277X6TBAN Mill finish or black anodized with vinyl thermal break & TPE (T) insert, black (rated)



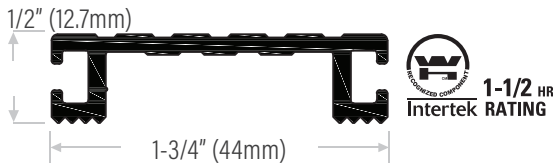
DS277X7TBAN Mill finish or black anodized with vinyl thermal break & TPE (T) insert, black (rated)



DS277X8TBAN Mill finish or black anodized with vinyl thermal break & TPE (T) insert, black (rated)

THRESHOLDS

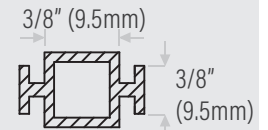
Thermally Broken Threshold Components



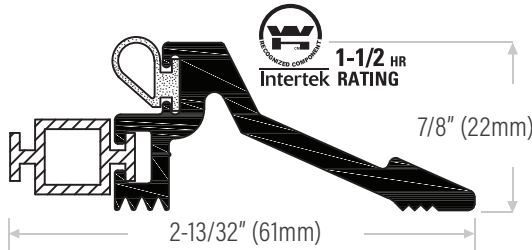
DS201A Extruded aluminum mill finish
DS201D Black anodized



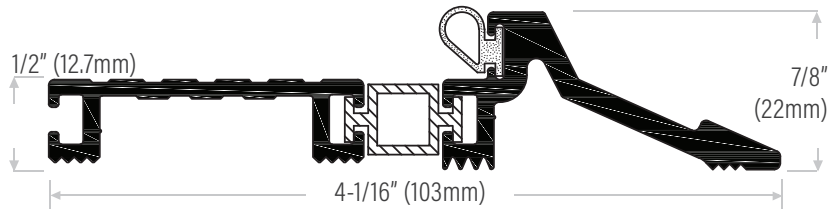
DS202TBAN Extruded aluminum mill finish or black anodized with thermal break insert



DS205TBI Extruded rigid pvc vinyl insert, grey, for thermally broken thresholds

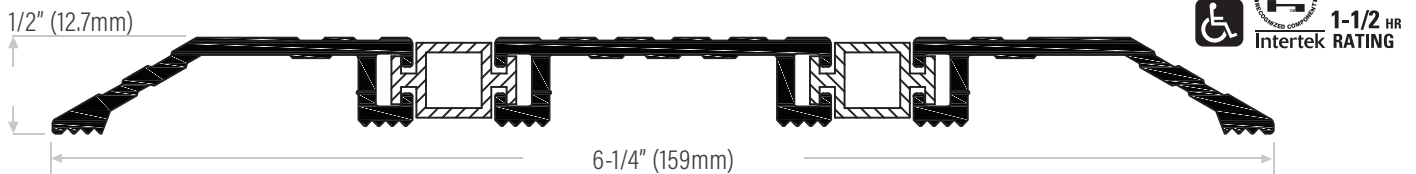


DS275TBAN Extruded aluminum mill finish or black anodized with vinyl thermal break insert & TPE (T) insert



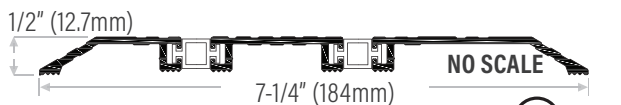
DS276TBAN Extruded aluminum mill finish or black anodized with vinyl thermal break insert & TPE (T) insert

Thermally Broken Thresholds



DS603TBA Extruded aluminum mill finish or black anodized with 2 thermal breaks

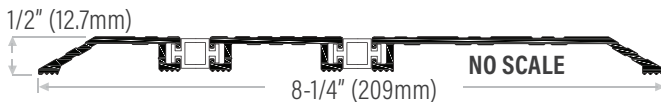
NOTE: By adding multiples of **DS202TBA**, wider thresholds may be achieved, consult factory. By adding **DS275TBA** (Panic Stop), wider Panic Thresholds may be achieved, consult factory.



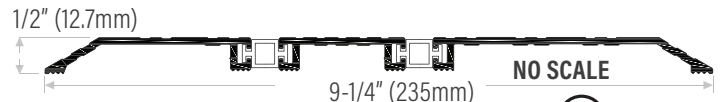
DS703TBA Extruded aluminum mill finish or black anodized with 2 thermal breaks, 7-1/4" (184mm) wide



DS803TBA Extruded aluminum mill finish or black anodized with 2 thermal breaks, 8-1/4" (209mm) wide



DS804TBA Extruded aluminum mill finish with 2 thermal breaks, 8-1/4" (209mm) wide
DS804TBD Black anodized



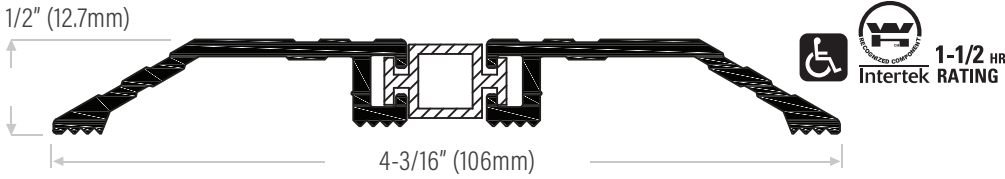
DS903TBA Extruded aluminum mill finish or black anodized with 2 thermal breaks, 9-1/4" (235mm) wide



DS1003TBA Extruded aluminum mill finish or black anodized with 2 thermal breaks, 10-1/4" (260mm) wide

THRESHOLDS

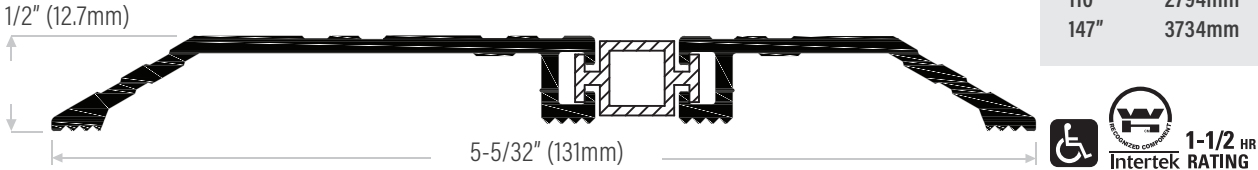
Thermally Broken Thresholds 1/2" (12.7mm) Rise



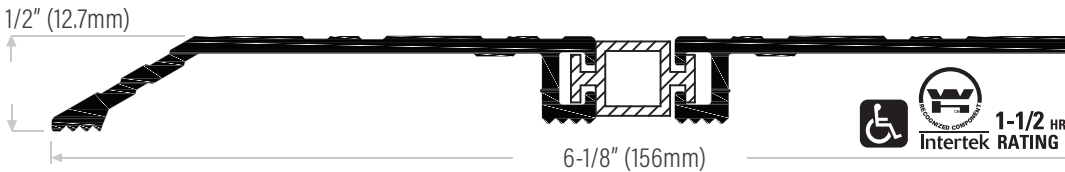
DS401TBA Extruded aluminum mill finish or black anodized with vinyl thermal break

Thresholds on this page are supplied with countersunk holes with screws and plugs and are only available in the following NET lengths (except as noted):

36-1/2"	927mm
49"	1245mm
73"	1854mm
110"	2794mm
147"	3734mm



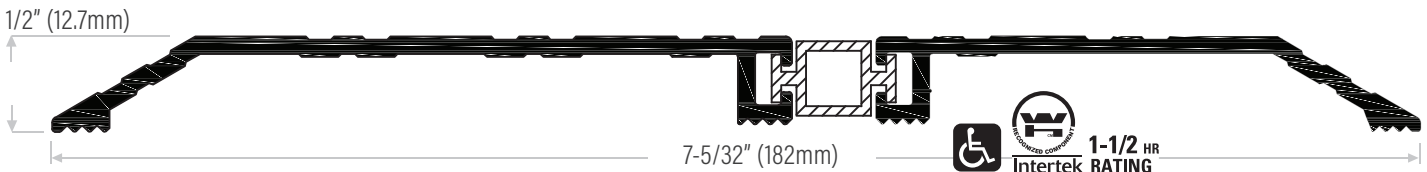
DS501TBA Extruded aluminum mill finish or black anodized with vinyl thermal break



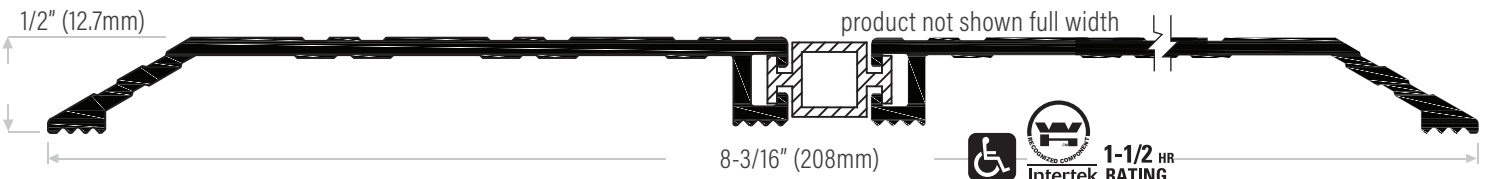
DS601TBA Extruded aluminum mill finish or black anodized with vinyl thermal break



DS602TBA Extruded aluminum mill finish or black anodized with vinyl thermal break



DS701TBA Extruded aluminum mill finish or black anodized with vinyl thermal break

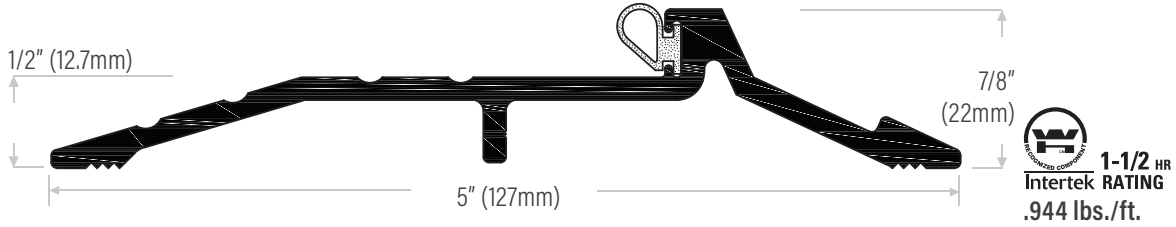


DS801TBA Extruded aluminum mill finish or black anodized with vinyl thermal break

THRESHOLDS

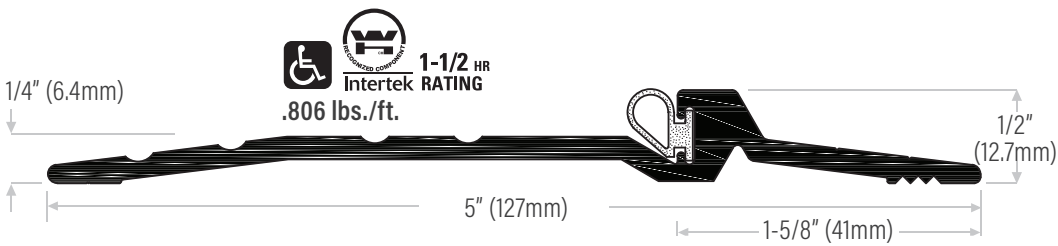
Latching Panic Exit Thresholds

 **DST17BL** Replacement TPE (T) insert black, for DS177 & DS178



DS177AN Mill finish with TPE (T) insert, black (rated)

DS177DN Black anodized with TPE (T) insert, black (rated)

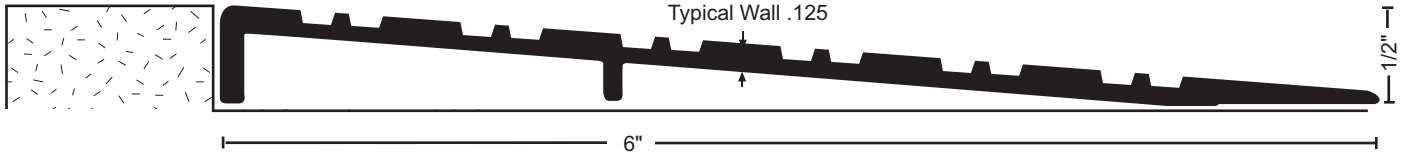


DS178AN Mill finish with TPE (T) insert, black (rated)

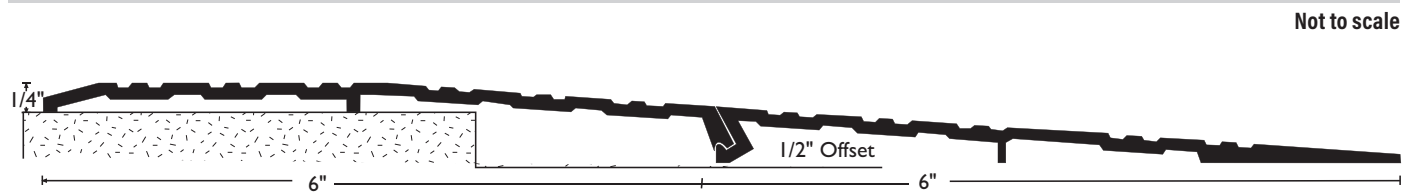
DS178DN Black anodized with TPE (T) insert, black (rated)

THRESHOLDS

Ramp Thresholds



657A Extruded aluminum mill finish
Note: Max 6' only



R050 Extruded aluminum (2 piece ramp joined)

Flat Thresholds, Stainless Steel (Custom order, manufacturing time)

Available in 304 stainless steel 14 gauge with a #4 brushed finish. Drawings showing sizes, end notch outs & mounting holes (if needed) are required with order.



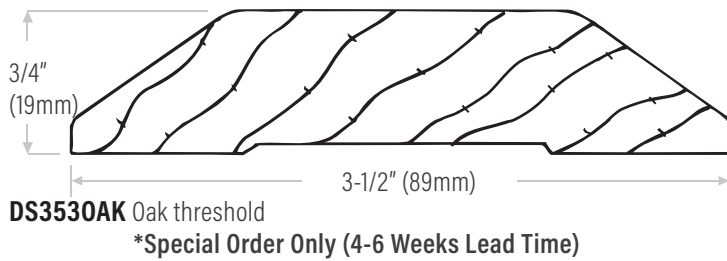
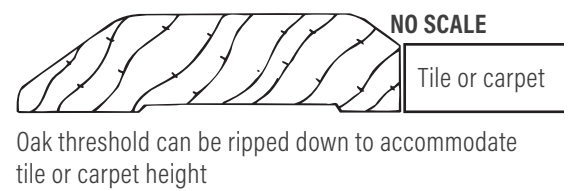
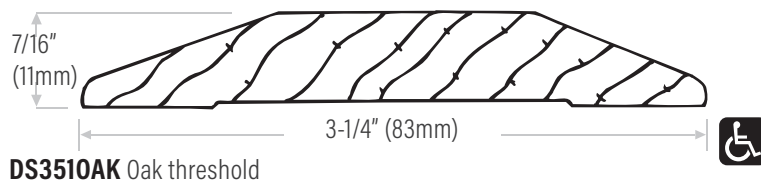
***Special Order Only**
4-6 weeks

THRESHOLDS

Oak Thresholds

ALL OAK PROFILES SHOWN ON THIS PAGE CAN BE RIPPED FOR CUSTOM APPLICATIONS.

#10 Antique Bronze plated Robertson flat head wood screws & plastic anchors of appropriate length are supplied with all DraftSeal oak thresholds. All oak thresholds are supplied not drilled unless drilling instructions are specified with order.



THRESHOLDS

Low Rise Extra Wide Thresholds

NOTE: Thresholds on this page are non-returnable. Manufacturing time required for bronze anodized finish. Bronze anodized only available up to 12 ft (3658mm). Drawings are not to scale.

 **1-1/2 HR RATING**

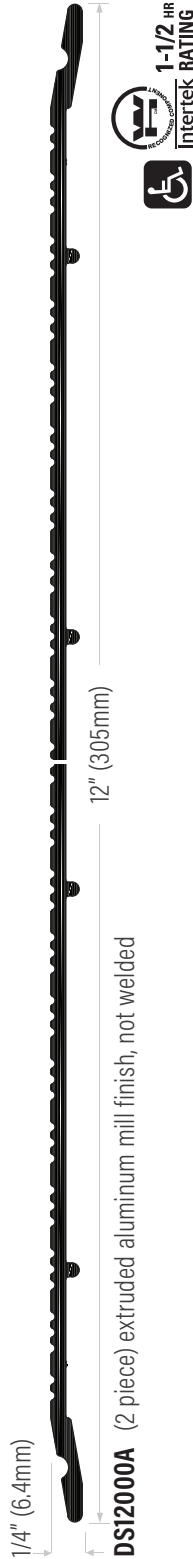
 1.5802 lbs./ft.
 (2.351 kg/m)



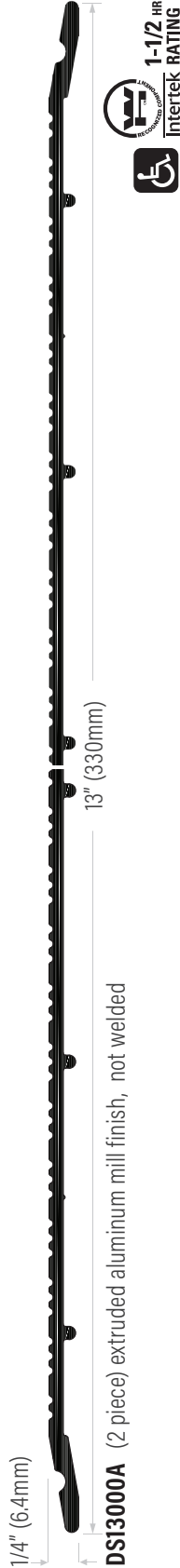
DS10001A (1 piece) extruded aluminum mill finish
DS10001D (1 piece) bronze anodized



DS11000A (2 piece) extruded aluminum mill finish, not welded



DS12000A (2 piece) extruded aluminum mill finish, not welded



DS13000A (2 piece) extruded aluminum mill finish, not welded



DS14000A (2 piece) extruded aluminum mill finish, not welded

DS2648

PVC protective tape, apply to any sill or threshold. Purchase by roll. 4" (101mm), 6" (154mm), 8" (203mm), 12" (304mm) widths.



Wide thresholds on this page 9" to 14" (229 to 356mm) are available in the following NET lengths:

- 36-1/2" (927mm)
- 49" (1245mm)
- 73" (1854mm)
- 110" (2794mm)
- 147" (3734mm)

Extra wide thresholds are standard punched or drilled unless otherwise specified.

THRESHOLDS

Extra Wide Heavy Duty (H) Thresholds

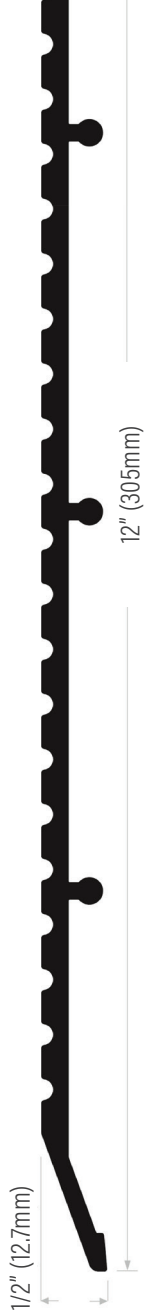
NOTE: Drawings are not to scale.

 **1-1/2 HR**
Intertek RATING
 1,966 lbs./ft. (2,925 kg/m)




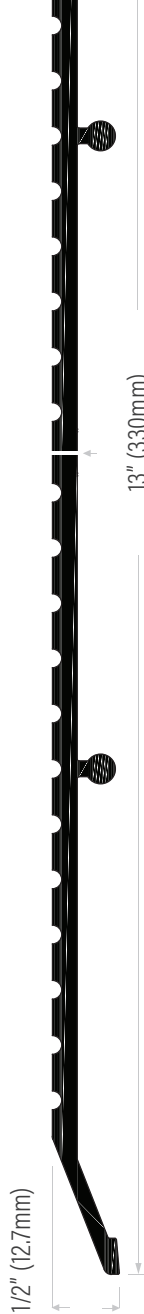
DS1000HA (1 piece) extruded aluminum mill finish
DS1000HD (1 piece) bronze anodized

 **1-1/2 HR**
Intertek RATING






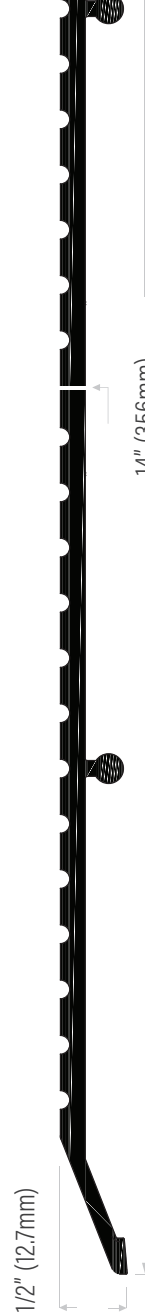
DS1200HC (1 piece) extruded aluminum clear anodized

 **1-1/2 HR**
Intertek RATING

DS1300HA (2 piece) extruded aluminum mill finish, not welded

 **1-1/2 HR**
Intertek RATING




DS1400HA (2 piece) extruded aluminum mill finish, not welded

DS2648

PVC protective tape, apply to any sill or threshold. Purchase by roll. 4" (101mm), 6" (154mm), 8" (203mm), 12" (304mm) widths.



Wide thresholds on this page 9" to 14" (229 to 356mm) are available in the following NET lengths:

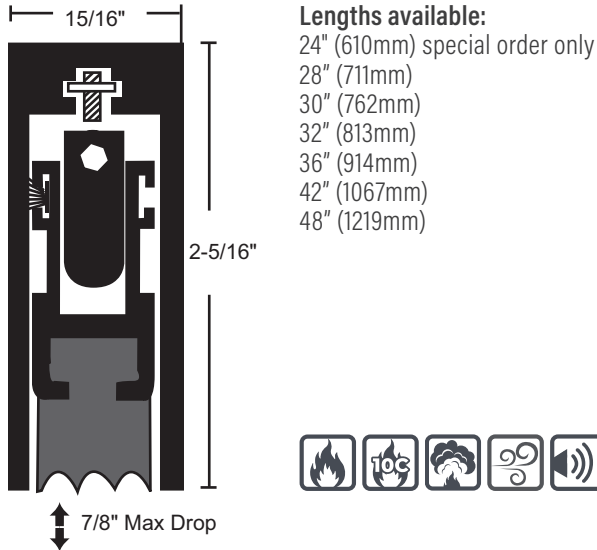
36-1/2"	(927mm)
49"	(1245mm)
73"	(1854mm)
110"	(2794mm)
147"	(3734mm)

Extra wide thresholds are standard punched or drilled unless otherwise specified.

 **1-1/2 HR**
Intertek RATING

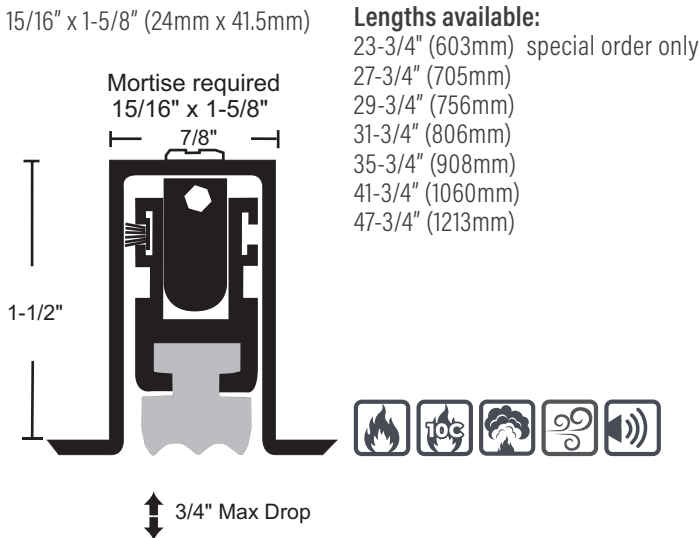

AUTOMATIC DOOR BOTTOMS

Surface Mounted Application



- 420NA** Extruded aluminum clear anodized with neoprene insert, black
- 420NDKB** Bronze anodized, 36" & 48" only (914mm & 1219mm)

Mortise Application

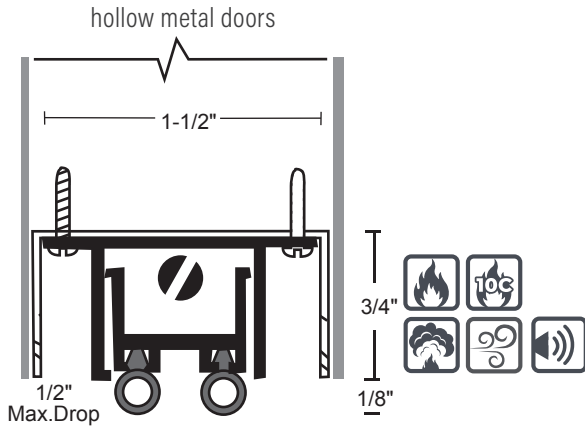


- 423N** Extruded aluminum mill finish with neoprene insert, black. Available with lead insert for radiation shield. Specify "lead lined" custom order, call for manufacturing time.

Automatic Door Bottoms 36" and over can be cut up to 4". Under 36" should not be cut.

AUTOMATIC DOOR BOTTOMS

Mortise Application for Metal Doors



Lengths available:

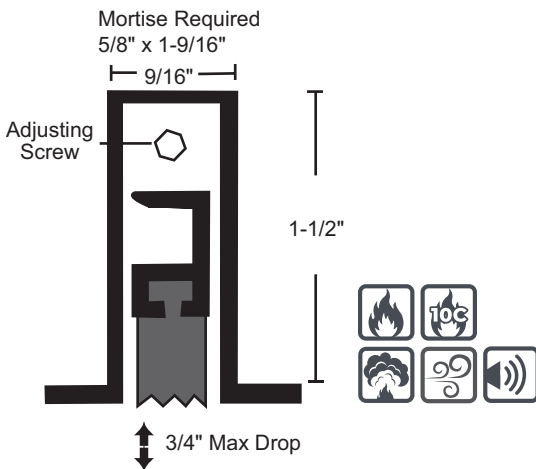
24" (610mm) special order only
 28" (711mm)
 30" (762mm)
 32" (813mm)
 36" (914mm)
 42" (1067mm)
 48" (1219mm)

320N Extruded aluminum mill finish with neoprene insert, black.

Fits in 1 5/8" x 3/4" (41mm x 19mm) bottom door channel & may be field cut (up to 4" [102mm]) in length to fit door. This unit has an adjusting screw to regulate amount of drop to 1/2" (12.7mm). A "furring strip" may be used to lower this automatic door bottom when a deeper channel is used. Units furnished 1/2" (12.7mm) shorter than ordered length in order to fit within net door size. Door Bottom lengths available from 24" (610mm) - 48" (1219mm). Fire ratings apply to metal doors only.

Mortise Application

5/8" x 1-9/16" (16mm x 40mm)



335N Extruded aluminum mill finish with neoprene insert, black

Lengths available:

23-3/4" (603mm) special order only
 27-3/4" (705mm)
 29-3/4" (756mm)
 31-3/4" (806mm)
 35-3/4" (908mm)
 41-3/4" (1060mm)
 47-3/4" (1213mm)

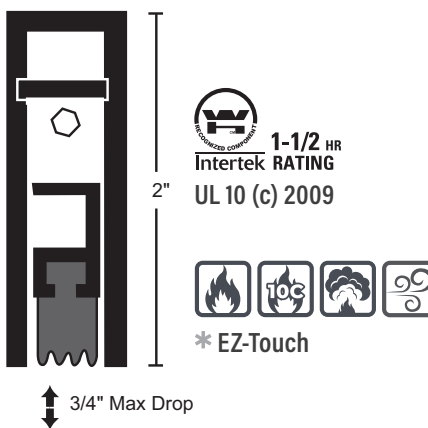
Automatic Door Bottoms 36" and over can be cut up to 4". Under 36" should not be cut.

Surface Mounted Application

5/8" (15.9mm)

SURFACE

5/8"

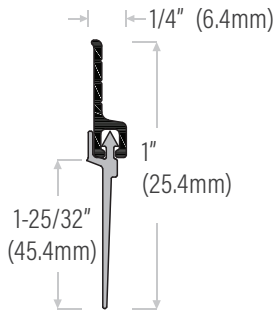


223NA
223NDKB

Extruded aluminum clear anodized with neoprene insert, black
 Bronze anodized with neoprene insert, black. Custom order, call for manufacturing time. 36" & 48" only (914mm & 1219mm)

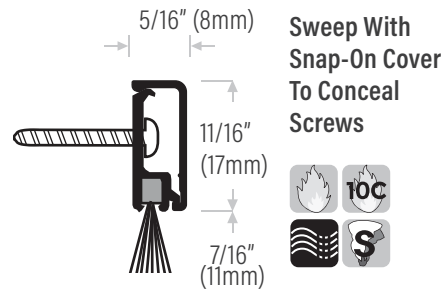
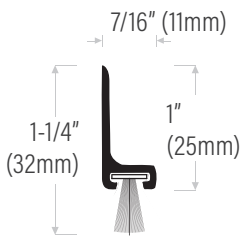
* The **EZ-Touch** door bottom requires only 3 to 5 pounds of pressure to activate the drop bar mechanism. Light gauge materials have allowed us to perfect a door bottom suited for those applications when the pressure to close the door is critical. We've included the same proven technology used in all of our other automatic door bottoms. Accessibility requirements remind us of the necessity for everyone to be able to operate doors with ease. Our EZ-Touch door bottom meets that need & still provides an effective seal for any application. End caps furnished standard.

DOOR BOTTOM SWEEPS



- DS140AV** Extruded aluminum mill finish with vinyl insert, grey
- DS140DV** Bronze anodized with black insert
- DS140WV** Painted white with grey insert
- DSV40BL** Replacement black insert
- DSV40GREY** Replacement grey insert

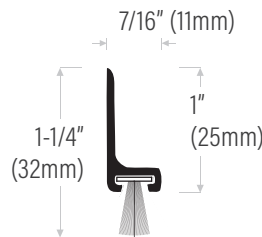
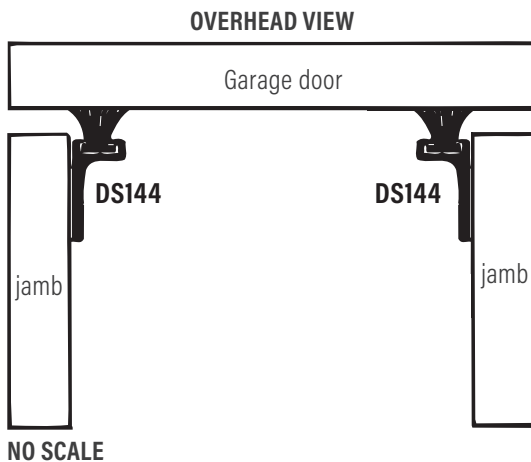
- DS156AV** Extruded aluminum mill finish with vinyl insert, grey
- DS156DV** Bronze anodized with grey insert
- DS156WV** Painted white with grey insert
- DSV56GREY** Replacement grey insert



- DS144AP** Extruded aluminum mill finish with fin pile insert

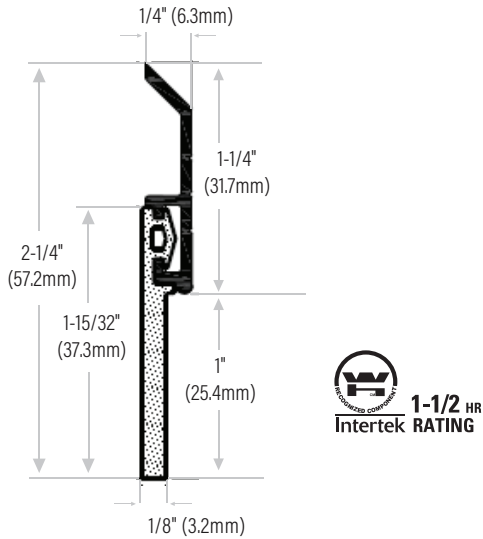
- DS158C** Clear anodized
- DS158D** Bronze anodized
- DSBRUSH716BL** Replacement brush insert, black

WEATHERSEALS (OVERHEAD, SLIDING & GARAGE DOOR)



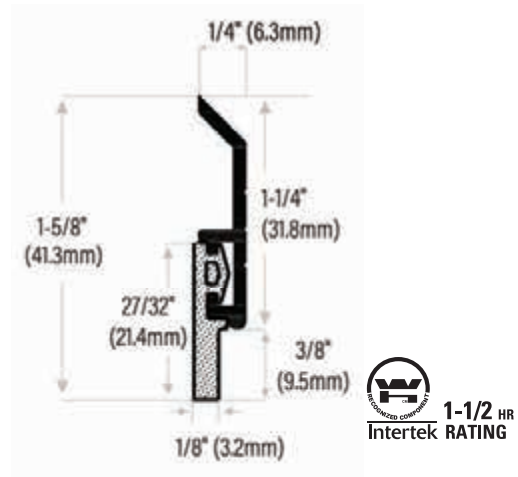
- DS144AP** Extruded aluminum mill finish with fin pile insert

DOOR BOTTOM SWEEPS



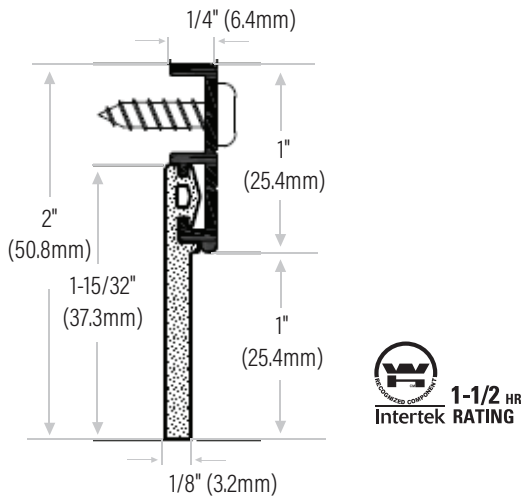
Intertek 1-1/2 HR RATING

DS138C-2 Extruded aluminum clear anodized with rubber insert, black, 1/8" x 2" (3.2mm x 51mm)
DS138D-2 Bronze anodized



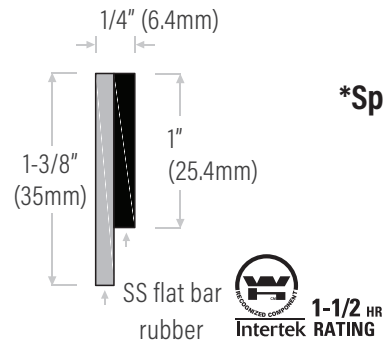
Intertek 1-1/2 HR RATING

DS138C Extruded aluminum clear anodized with rubber insert, black, 1/8" x 1-3/8" (3.2mm x 35mm)
DS138D Bronze anodized



Intertek 1-1/2 HR RATING

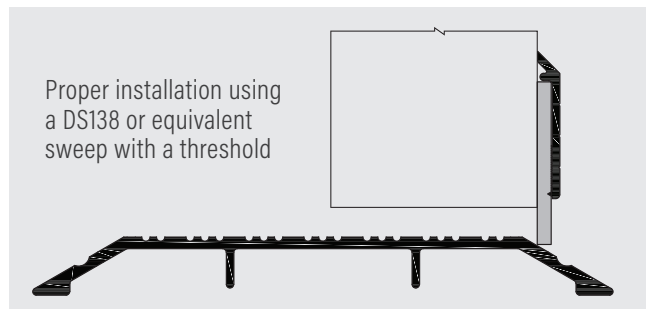
DS136C Extruded aluminum clear anodized with rubber insert, black, 1/8" x 1-3/8" (3.2mm x 35mm)
DS136DN Bronze anodized



***Special Order Only**

Intertek 1-1/2 HR RATING

DS238SSN Stainless steel with rubber insert, black



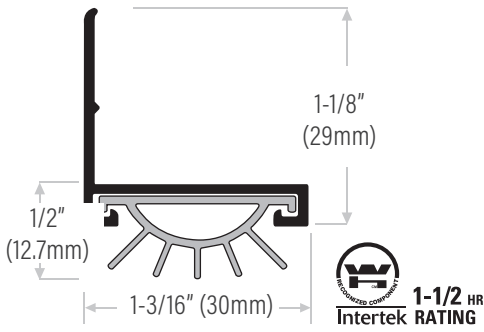
Proper installation using a DS138 or equivalent sweep with a threshold

Door bottom sweeps on this page are supplied with punched holes and screws and are only available in the following NET lengths:

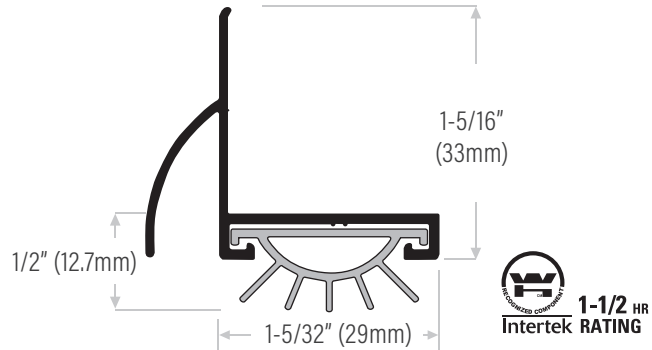
- 36" (914mm)
- 48" (1219mm)
- 84" (2134mm)
- 96" (2438mm)

DOOR SHOES (ALUMINUM)

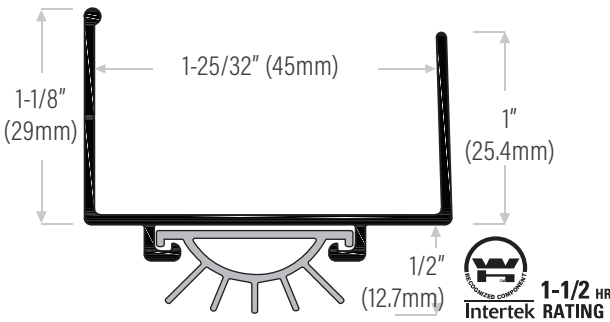
Door shoes on this page are supplied with punched holes and screws and are available in the following NET lengths: 36" (914mm) & 48" (1219mm). Custom lengths available, call for manufacturing time.



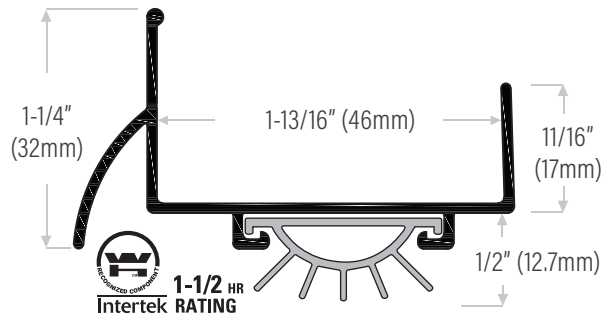
DS211AT Extruded aluminum mill finish with TPE (T) insert
DS211DT Bronze anodized



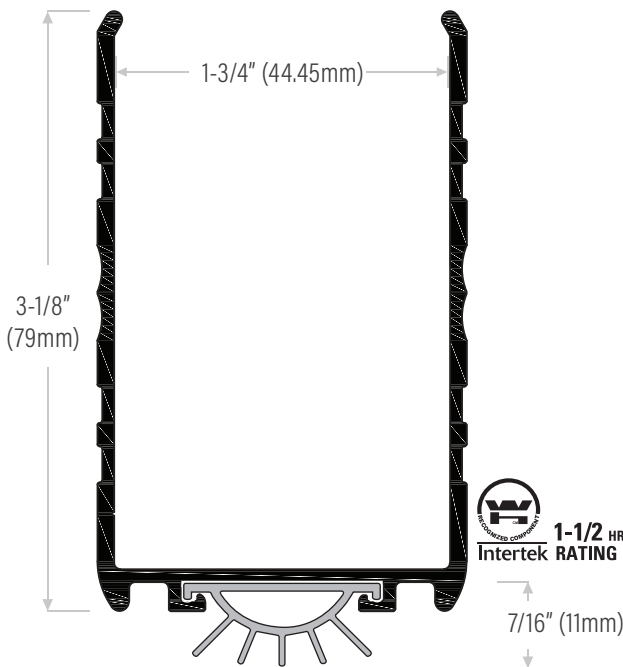
DS210AT Extruded aluminum mill finish with TPE (T) insert
DS210DT Bronze anodized



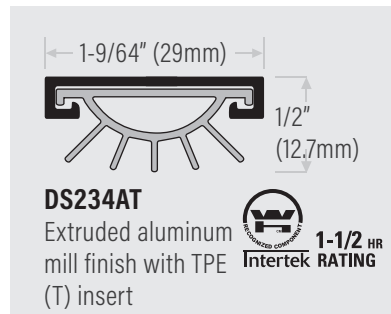
DS217AT Extruded aluminum mill finish with TPE (T) insert
DS217DT Bronze anodized



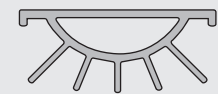
DS216AT Extruded aluminum mill finish with TPE (T) insert
DS216DT Bronze anodized



DS212AT Extruded aluminum mill finish with TPE (T) insert
DS212DT Bronze anodized

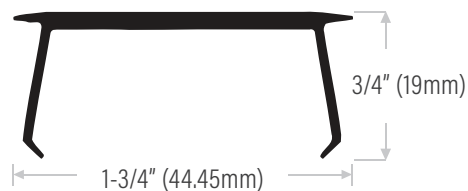


DS234AT
 Extruded aluminum mill finish with TPE (T) insert



DS16BL
 Replacement TPE (T) insert, black, for products on this page

Door Top Cap For Hollow Metal Doors

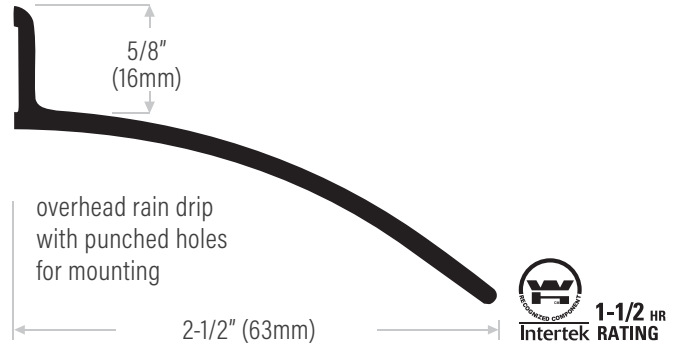


DS388 Extruded rigid vinyl grey.
 Length available: 9 ft. (2743mm) only

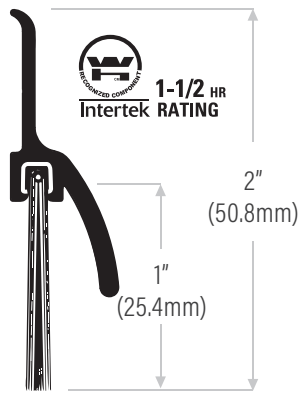
RAIN DRIPS



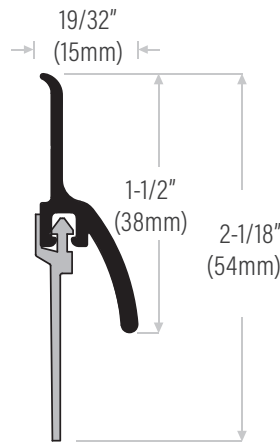
DS164A Extruded aluminum mill finish.
Lengths available:
36" (914mm) & 48" (1219mm)
DS164D Bronze anodized



DS166C42 Extruded aluminum clear anodized, 42" (1067mm) length
DS166C54 Clear anodized, 54" (1372mm) length
DS166C84 Clear anodized, 84" (2134mm) length
DS166C144 Clear anodized, 144" (4267mm) length



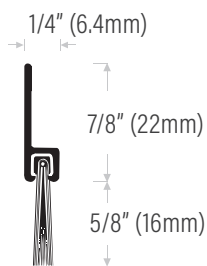
DS161A Extruded aluminum mill finish with nylon brush insert, black. Lengths available: 36" (914mm) & 48" (1219mm)
DS161D Bronze anodized



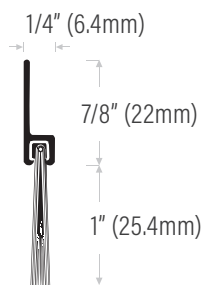
DS162AV Extruded aluminum mill finish with vinyl insert, grey. Lengths available: 36" (914mm) & 48" (1219mm)
DS162DV Bronze anodized

NYLON BRUSH (NB) DOOR BOTTOM SWEEPS - UBC 7-2 (1997) When Used As A Door Bottom Sweep Only

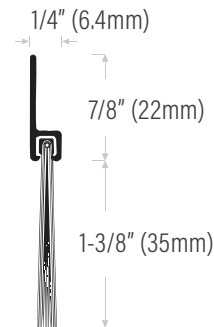
Lengths available: 36" (914mm), 48" (1219mm), 84" (2134mm) & 96" (2438mm).



DS148C Clear anodized with brush insert
DS148D Bronze anodized





DS149C Clear anodized with brush insert
DS149D Bronze anodized



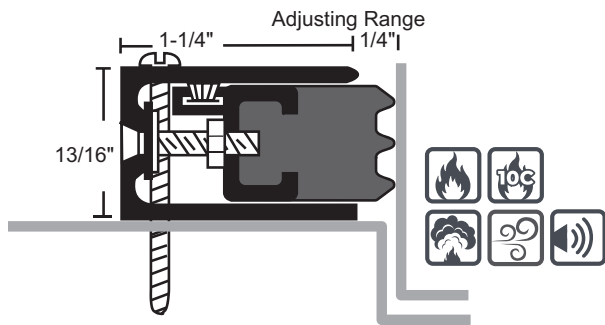
DS150C Clear anodized with brush insert
DS150D Bronze anodized

ADJUSTABLE-JAMB SOUND SEALS

Sound Transmission Class (STC) Rated Door Assemblies

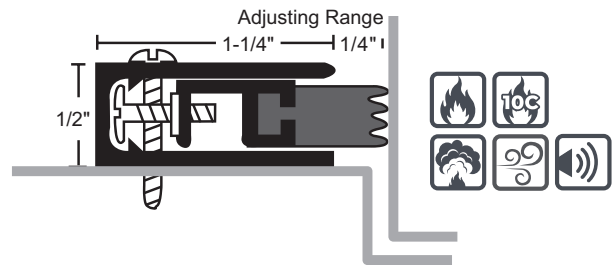
STC RATING ON DOOR	STC RATING DOOR WITH GASKET	PERIMETER SEALS	AUTOMATIC DOOR BOTTOM	THRESHOLD
STC 30	30	103NA or 107NA	420NA 	DS174N 
STC 40	37	103NA or 107NA	420NA	DS174N
STC 50	43	103NA	420NA	DS174N

Weatherseals and sound seals on this page are supplied with punched holes and screws and are available in the following NET lengths / sets: 1/36" x 2/84" set (914 x 2134mm). Custom lengths available, call for manufacturing time.



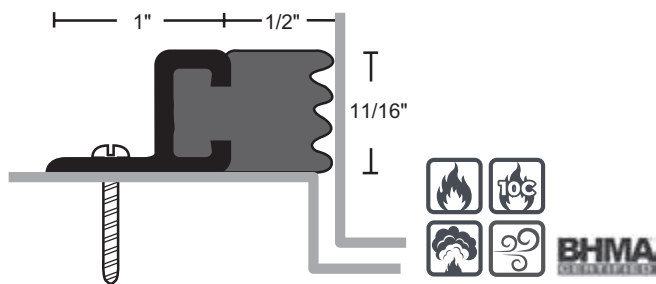
103NA Extruded aluminum clear anodized with neoprene insert, black

103NA17 (36x84) **103NA96** (96")
103NA20 (72x84)



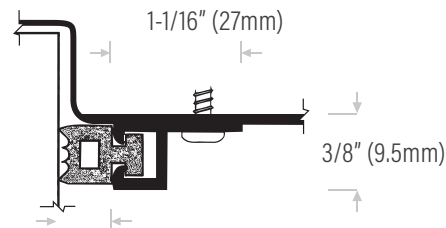
107NA Extruded aluminum clear anodized with neoprene insert, black

107NA17 (36x84) **107NA20** (72x84)
107NA19 (36x96) **107NA96** (96")



108NA Extruded aluminum clear anodized with neoprene insert, black

108NA17 (36x84)
108NA19 (36x96)

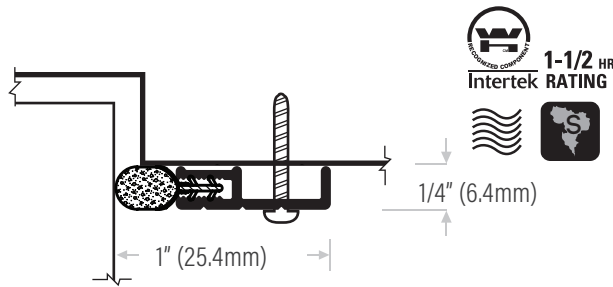


DS338CN Clear anodized with neoprene insert, black

DS338DN Bronze anodized

DSR38BLACK Replacement neoprene insert, black

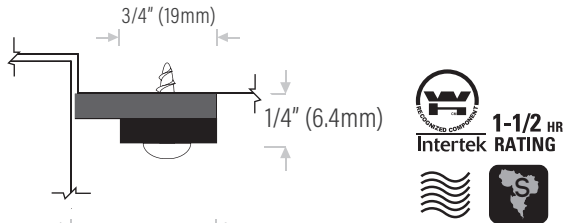
DOOR WEATHERSEALING



Weatherseals in this section are supplied with punched holes and screws and are only available in the following NET lengths:

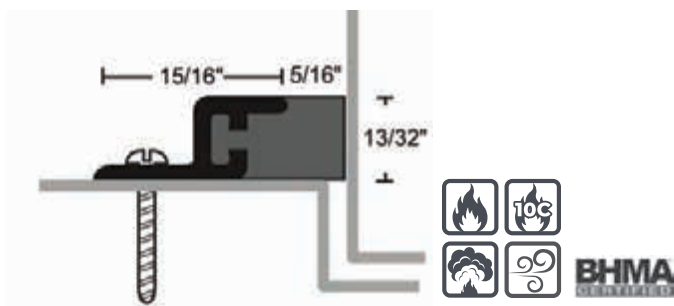
1/3' x 2/7' set	(914 x 2134mm)
1/3' x 2/8' set	(914 x 2438 mm)
1/6' x 2/7' set	(1829 x 2134mm)
3 x 8' set	(2438mm)
1 x 14' length	(4267mm)

- DS130CR** Extruded aluminum clear anodized with sponge neoprene insert
- DS130DR** Black anodized
- DS437BL** Replacement neoprene sponge insert, black, 1/4" x 1/2" (6.4mm x 12.7mm)



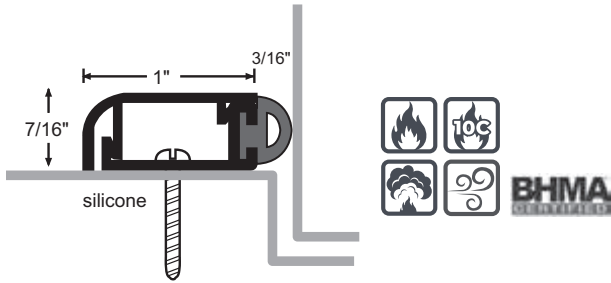
- DS243SSR** Stainless steel with sponge neoprene insert.
- DSR43BL** Replacement neoprene sponge insert, black 3/4" x 3/16" (19mm x 5mm) thick

***Special Order Only**



- 122NA** Extruded aluminum clear anodized with neoprene insert, black
- 122NA17** (36x84)
- 122NA19** (36x96)

DOOR WEATHERSEALING, HOLLOW BULB

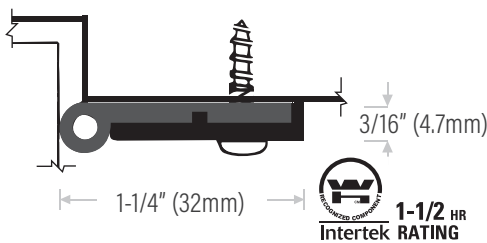


- 170SA** Extruded aluminum clear anodized with silicone insert, black
- 170SA17** (36x84)
- 170SA20** (72x84)

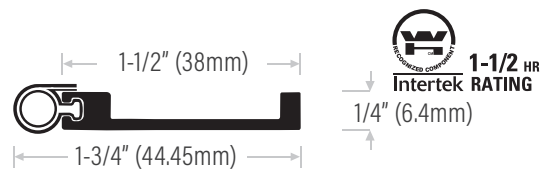
Weatherseals on this page are supplied with punched holes & screws and are available in the following NET lengths / sets:

- 1/3' x 2/7' set (914 x 2134mm)
- 1/3' x 2/8' set (914 x 2438 mm)
- 1/6' x 2/7' set (1829 x 2134mm)
- 3 x 8' set (2438mm)
- 1 x 14' length (4267mm)

Certain products are not available in all sizes listed, refer to price list.

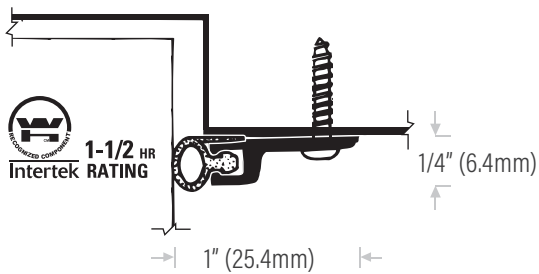


- DS133CT** Extruded aluminum clear anodized with TPE (T) insert, black
- DS133DT** Black anodized
- DST33BL** Replacement TPE (T) insert, black

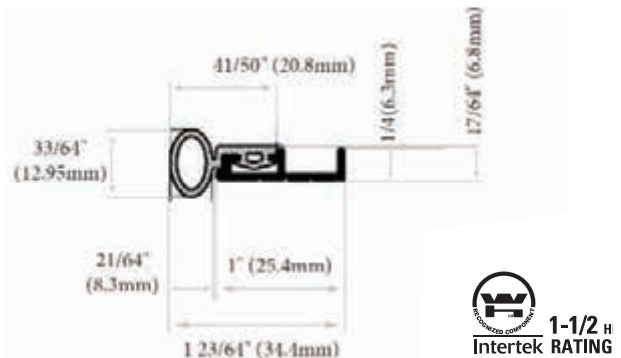


Perimeter seal compatible with parallel arm closers

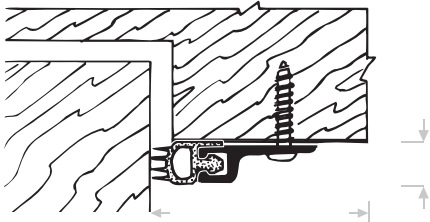
- DS118CT** Extruded aluminum clear anodized with TPE (T) insert
- DST03BL** Replacement TPE (T) insert, black.



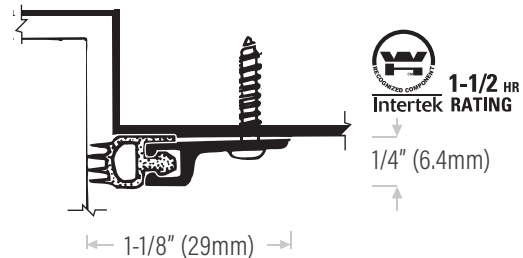
- DS103AT** Extruded aluminum mill finish with TPE (T) insert
- DS103DT** Black anodized
- DST03BL** Replacement TPE (T) insert, black



- DS141CT** Extruded aluminum clear anodized with TPE (T) insert, black



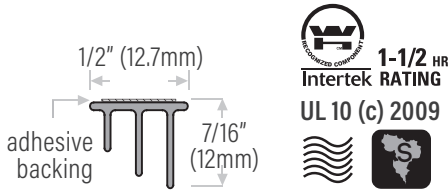
- DS104AV** Extruded aluminum mill finish with cold temp vinyl insert
- DS104D** Black anodized
- DS104WV** Painted white
- DSV04GREY** Replacement vinyl insert, grey



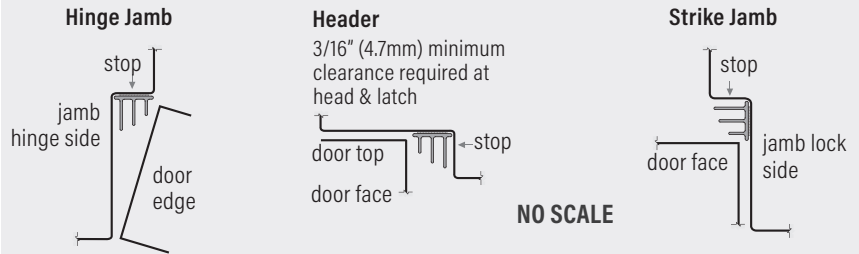
- DS100AT** Extruded aluminum mill finish with TPE (T) insert
- DS100DT** Black anodized
- DST00BL** Replacement TPE (T) insert, black

ADHESIVE-BACKED GASKET SEALS

Triple Fin Silicone Adhesive-Backed Fire Rated Gasketing



DSS99 Application Details



- | | | |
|---|--|---------------------------------------|
| DSS99D3 bronze colour, 1/39" (5.18m) | DSS99D8 bronze colour, 1/97" (93.2m) | DSS99D21 bronze colour, 3/7 ft |
| DSS99D7 bronze colour, 1/87" (7.62m) | DSS99D17 bronze colour, 1/3 ft x 2/7 ft | DSS99D24 bronze colour, 3/8 ft |
| | DSS99D19 bronze colour, 1/3 ft x 2/8 ft | |

Silicone Adhesive-Backed Fire Rated Gasketing

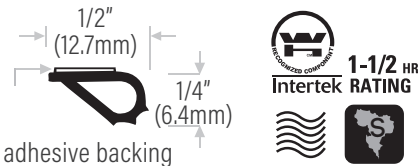
For Wood Door & Metal Frame

This design is for those applications with very tight clearances from door edge to jamb & the pressure to close the door is critical.



- Charcoal**
- | | |
|-------------------------------|---------------------------------|
| 2525C17 17 ft. (5.18m) | 2525C25 25 ft. (7.62m) |
| 2525C21 21 ft. (6.40m) | 2525C300 300 ft. (93.2m) |

For Hollow Metal Door & Metal Frame



- Bronze**
- | | |
|--------------------------------|----------------------------------|
| DSS66D17 17 ft. (5.18m) | DSS66D25 25 ft. (7.62m) |
| DSS66D21 21 ft. (6.40m) | DSS66D306 306 ft. (93.2m) |

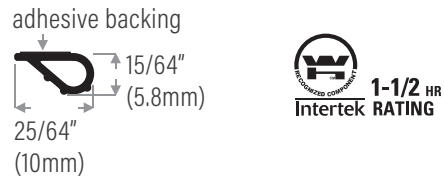


- | | |
|---------------------------------|-------------------------------|
| Charcoal | Brown |
| 5050C17 17 ft. (5.18m) | 5050B17 17 ft. (5.18m) |
| 5050C21 21 ft. (6.40m) | 5050B21 21 ft. (6.40m) |
| 5050C25 25 ft. (7.62m) | 5050B25 25 ft. (7.62m) |
| 5050C300 300 ft. (93.2m) | |
| White | |
| 5050W17 17 ft. (5.18m) | |
| 5050W21 21 ft. (6.40m) | |

Santoprene Adhesive-Backed Gasketing

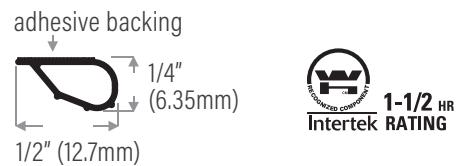
For Wood Door & Metal Frame

This design is for those applications with very tight clearances from door edge to jamb & the pressure to close the door is critical.



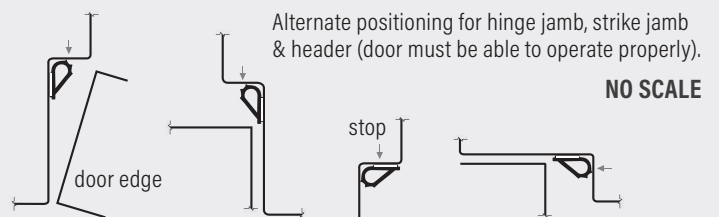
- Bronze**
- | | |
|-------------------------------|-----------------------------------|
| DS22D17 17 ft. (5.18m) | DS22D25 25 ft. (7.62m) |
| DS22D21 21 ft. (6.40m) | DS22D515 515 ft. (156.97m) |

For Hollow Metal Door & Metal Frame



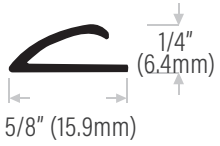
- Bronze**
- | |
|-----------------------------------|
| DS77D17 17 ft. (5.18m) |
| DS77D21 21 ft. (6.40m) |
| DS77D25 25 ft. (7.62m) |
| DS77D515 515 ft. (156.97m) |

2525C, DSS66, 5050C, DS22 & DS77 Application Details

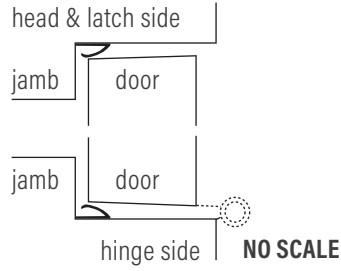


ADHESIVE-BACKED JAMB SEALS

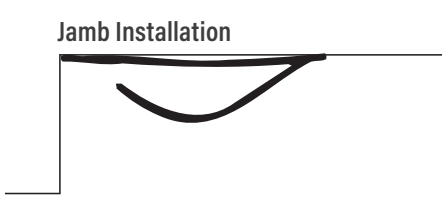
Vinyl-Flex (Compression) Seal, Adhesive-Backed



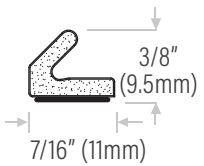
DS117W84 white



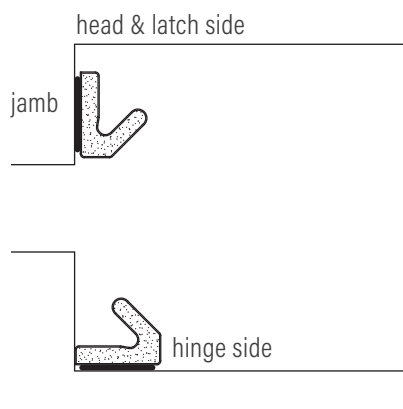
DS116W84 white



Compression Seal, Adhesive-Backed

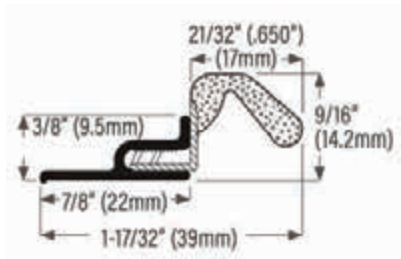


DS415BL144 black, 144" (3658mm)



RETROFIT DOOR WEATHERSEALING

Superior Plus Weathersealing Door Kit E-Lon® by Foam Tite®



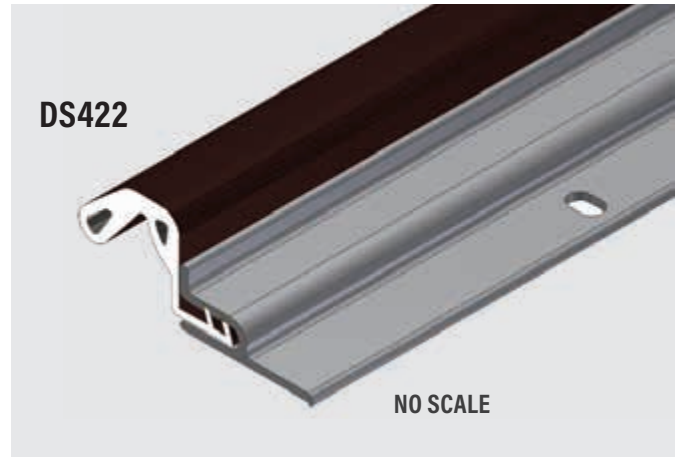
- DS422D** Extruded aluminum black anodized with gasket insert
- DS422C** Clear anodized with black gasket insert
- DS422W** Painted white with white gasket insert

Available in sets of

- 1/36" x 2/81" (914 x 2057mm) single door set
- 1/36" x 2/84" (914 x 2134mm) single door set
- 1/81" x 2/84" (2057 x 2134mm) double door set

Advantages Of Foam-Tight Kerf Gasket

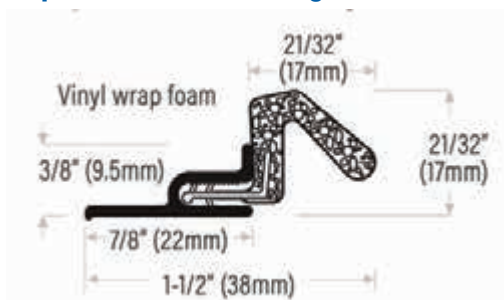
- » Closed cell foam structure: high resistance to water absorption & eliminates wicking.
- » Seamless elastomeric skin: provides long life, resilience, & durability. Puncture & tear resistant, outlasts & outperforms all other replacement weathersealing.
- » Superior resistance to compression set: operating forces remain constant over a wide compression range, helping doors exceed all industry requirements.
- » Performance: independent tests have shown foam-tight performs like new under all temperature.
- » Punched/slotted holes.
- » Plated screws supplied with white sets.
- » Antique bronze plated screws supplied with brown sets.
- » Foam-Tight gasket easily replaceable, pull out the old & push in the new.



DS422

Extruded aluminum black anodized or white, with matching black or white foam-tight compression gasket. Also available clear anodized extrusion with black foam-tight compression gasket.

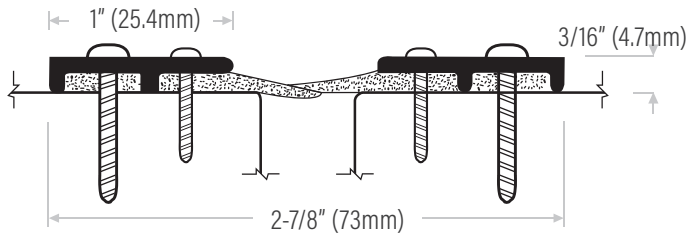
Superior Weathersealing Door Kit



- DS424D16.5** Black anodized with black gasket, 1/36" x 2/81" (914 x 2057mm) single door set
- DS424D17** Black anodized with black gasket, 1/36" x 2/84" (914 x 2134mm) single door set
- DS424D20** Black anodized with black gasket, 1/81" x 2/84" (2057 x 2134mm) double door set
- DS424D96** Black anodized with black gasket, 1/96" (2438mm) one piece only
- DS424C16.5** Clear anodized with black gasket, 1/36" x 2/81" (914 x 2057mm) single door set
- DS424C17** Clear anodized with black gasket, 1/36" x 2/84" (914 x 2134mm) single door set
- DS424C20** Clear anodized with black gasket, 1/81" x 2/84" (2057 x 2134mm) double door set
- DS424C96** Clear anodized with black gasket, 1/96" (2438mm) one piece only
- DS424W16.5** Painted white with white gasket, 1/36" x 2/81" (914 x 2057mm) single door set
- DS424W17** Painted white with white gasket, 1/36" x 2/84" (914 x 2134mm) single door set
- DS424W20** Painted white with white gasket, 1/81" x 2/84" (2057 x 2134mm) double door set
- DS424W96** Painted white with white gasket, 1/96" (2438mm) one piece only

MEETING STILES

Meeting stiles on this page are supplied with punched holes and screws and are available in the following NET lengths: 84" (2134mm) & 96" (2438mm). Custom lengths available, call for manufacturing time.



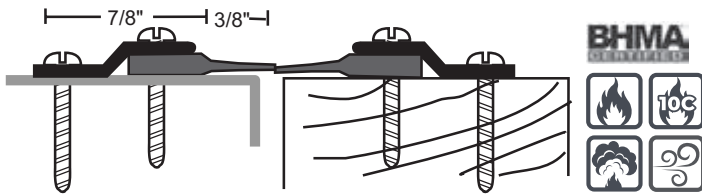
DS137CT Extruded aluminum clear anodized with TPE (T) insert. Sold in single units, order 2 lengths for meeting stile. Not rated for meeting stiles.

DS137DT Black anodized

DST37BL Replacement TPE (T) insert, black

Smoke-Rated Astragal Sets

Fire-rated Astragal Seals cannot replace any astragal required on the door by the door manufacturer to maintain its fire label. IBC, NFPA 80, NFPA105, NFPA 252 require the gap at the meeting edge between fire labeled doors must not exceed 1/8".



125NA Extruded aluminum clear anodized with neoprene insert. Sold in single units, order 2 lengths for meeting stile.

Clear Anodized

Black Anodized

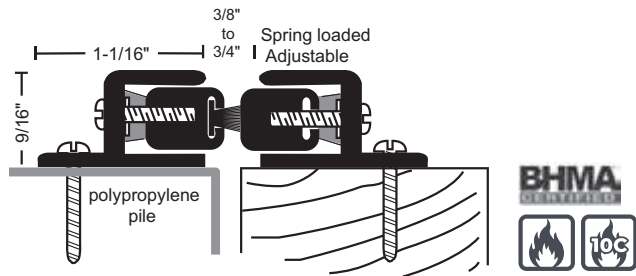
125NA84 84" (Set)

125NDKB84 84" (Set)

125NA96 96" (Set)

Spring Adjustable Astragal Sets

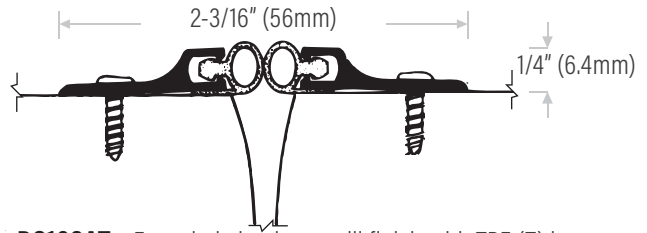
- Adjustment screws on 10" centers allow adjustment of the seal without re-positioning mounting location.
- Spring-loaded to maintain constant pressure for the most effective seal



140PA Extruded aluminum clear anodized with polypropylene insert. Sold in single units, order 2 lengths for meeting stile.

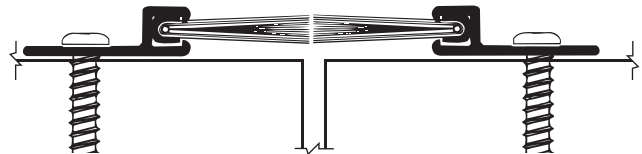
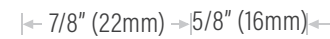
140PA84 84" (Set)

140PA96 96" (Set)



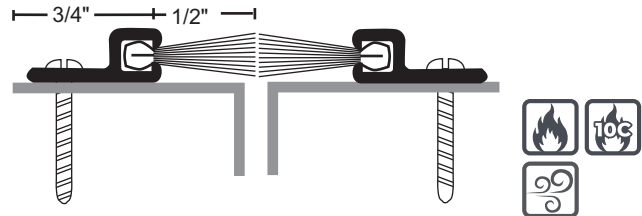
DS103AT Extruded aluminum mill finish with TPE (T) insert. Sold in single units, order 2 lengths for meeting stile. Not rated for meeting stiles.

DS103DT Black anodized



DS148C Extruded aluminum clear anodized with nylon brush insert. Sold in single units, order 2 lengths for meeting stile. Not rated for meeting stiles

DS148D Black anodized



B606A Clear anodized with nylon brush insert. Sold in single units, order 2 lengths for meeting stile.

Clear Anodized

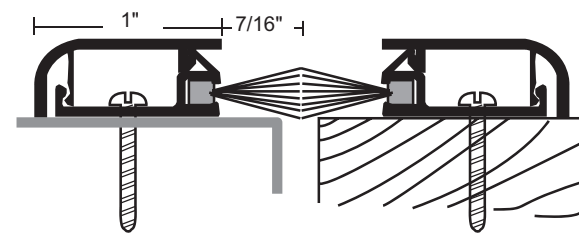
Black Anodized

B606A84 84" (Set)

B606DKB84 84" (Set)

B606A96 96" (Set)

B606DKB96 96" (Set)



Snap-on cover to conceal screws

675A Extruded aluminum clear anodized with nylon brush insert, grey. Sold in single units, order 2 lengths for meeting stile.

Clear Anodized

Black Anodized

675A84 84" (Set)

675DKB84 84" (Set)

675A96 96" (Set)

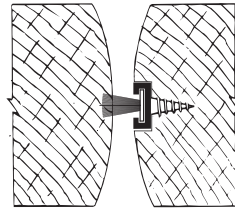
MEETING STILES

Extrusion Only, No Insert



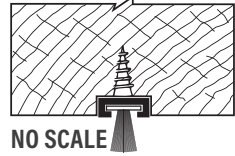
DS369A

Extruded aluminum mill finish t-slot extrusion only (no insert) drilled & countersunk. Inserts with .270 (6.85mm) backing will fit this t-slot extrusion.



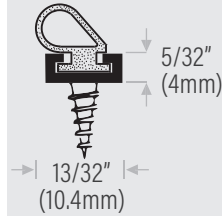
Meeting stile application

NO SCALE



Door bottom sweep application

NO SCALE



DST17BL

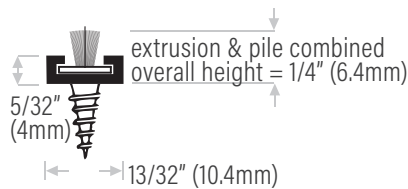
Replacement TPE (T) insert black, for DS369

DS369AT Extruded aluminum mill finish with TPE (T) insert

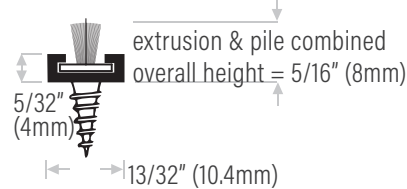
DS369DT Black anodized

T-Slot Extrusion With Fin Pile Inserts (Choice of 6 overall heights).

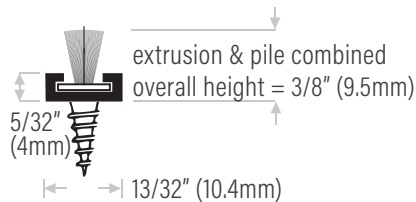
Lengths available for DS369: 36" (914mm), 48" (1219mm), 84" (2134mm), 96" (2438mm) & 180" (4572mm)



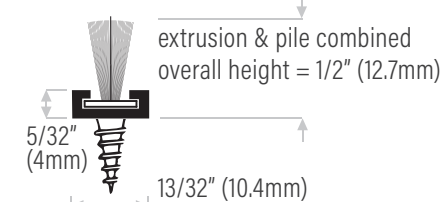
DS369A7520G Aluminum extrusion mill finish with fin pile insert, grey



DS369A7530G Aluminum extrusion mill finish with fin pile insert, grey
DS369A7130BL Black pile, no fin



DS369A7535G Aluminum extrusion mill finish with fin pile insert, grey



DS369A7545G Aluminum extrusion mill finish with fin pile insert, grey
DS369A7145BL with fin pile insert, black

Pile Weatherseal Insert Only

Polypropylene Pile, Fin & Backing

3/16" = 4.7mm

1/4" = 6.4mm

5/16" = 8mm

3/8" = 9.5mm

7/16" = 11mm

1/2" = 12.7mm

Fin-Pile Only



Available in footage or full coils

- * **DS7520-270G** .270" wide backing - 3/16" grey pile height with fin
- * **DS7530-270G** .270" wide backing - 1/4" grey pile height no fin
- * **DS7530-250BL** .250" wide backing - 1/4" black pile height no fin
- * **DS7130-270BL** .270" wide backing - 1/4" black pile height with fin
- * **DS7535-270G** .270" wide backing - 5/16" grey pile height with fin
- * **DS7545-270G** .270" wide backing - 7/16" grey pile height with fin
- * **DS7145-270BL** .270" wide backing - 7/16" black pile height with fin

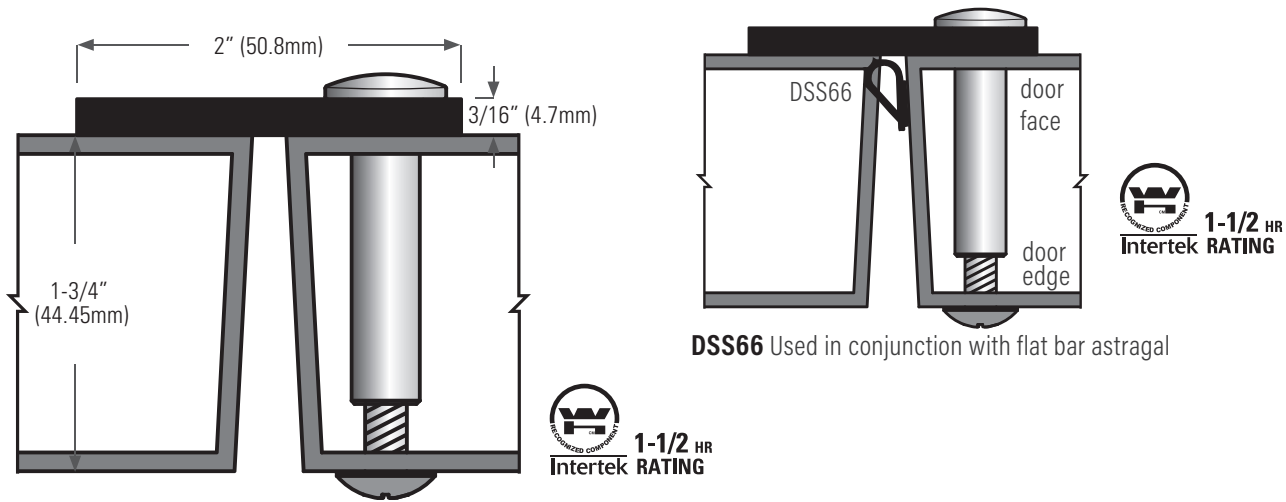
- * **DS7620-187G** 3/16" wide backing - 3/16" grey pile height with fin
- * **DS7630-187G** 3/16" wide backing - 1/4" grey pile height with fin

* Product numbers marked with asterisk fit into **DS369A** T-Slot extrusion. See top of this page.

- » High performance pile with a solid center fin barrier provides maximum resistance to air, water & dust infiltration.
- » Recommended pile compression 10%.
- » Excellent performer in sliding applications.

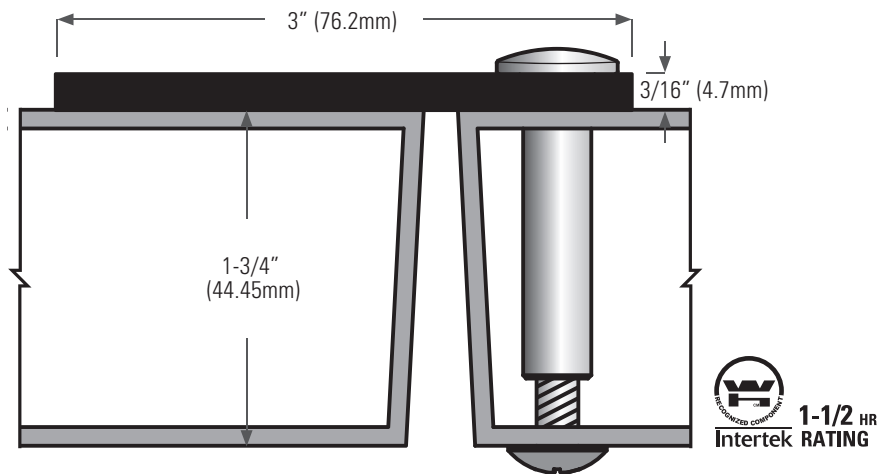
ASTRAGALS (OVERLAPPING)

Flat bar astragals, drilled (supplied with thru-bolts)

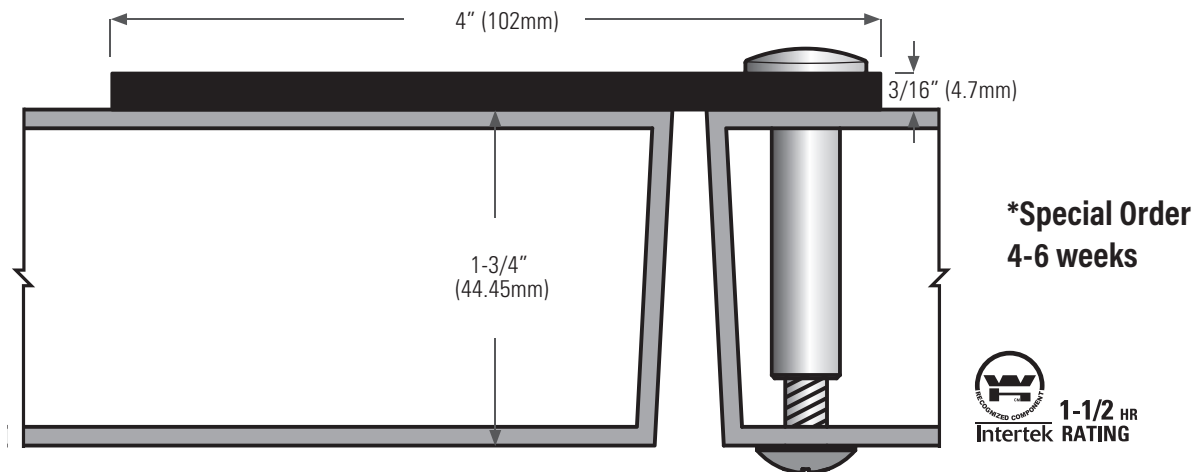


DS184SSATIN Flat bar, **STAINLESS STEEL**. Lengths available: 84" (2134mm), 96" (2438mm), 144" (3658mm)

DS188-2PS Flat bar, **STEEL** prime coated 2" (51mm) wide. Lengths available: 84" (2134mm), 96" (2438mm), 120" (3048mm)



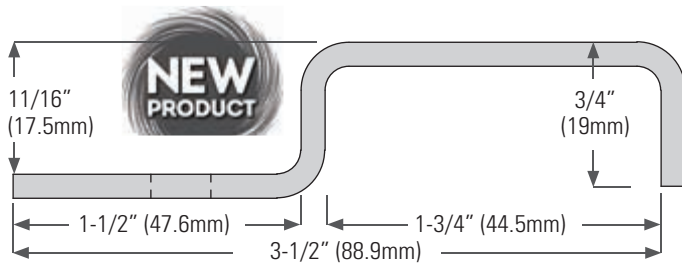
DS188-3PS Flat bar, steel prime coated 3" (76mm) wide. Lengths available: 84" (2134mm), 96" (2438mm), 108" (2743mm)



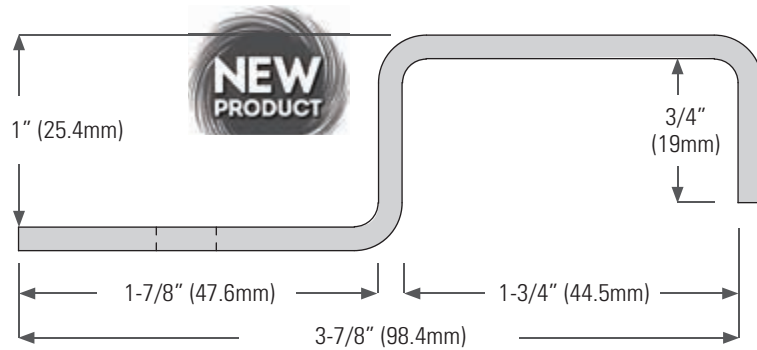
DS188-4PS Flat bar, steel prime coated 4" (102mm) wide. Any length up to 120" (3048mm) available. Custom order.

HIGH SECURITY ASTRAGALS

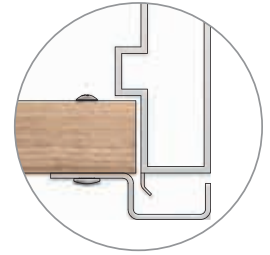
Flat bar astragals, drilled (supplied with thru-bolts)



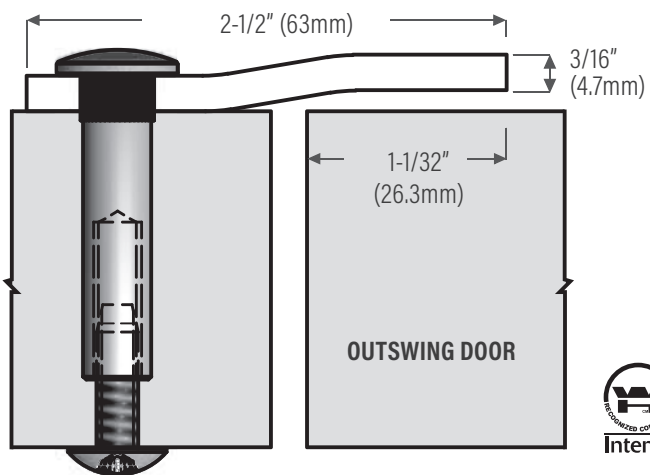
DS186PS Steel prime coated, custom. Lengths available 84" (2134mm)



DS187PS Steel prime coated, standard. Lengths available 84" (2134mm)



Continuous security latch protector, full height of door.

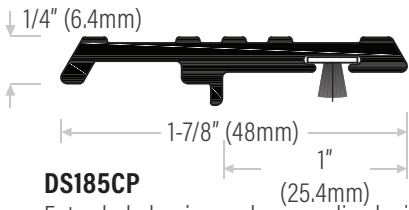


DS179PS Steel prime coated, pre-drilled. Lengths available: 80" (2032mm), 84" (2134mm), 96" (2438mm), 120" (3048mm)

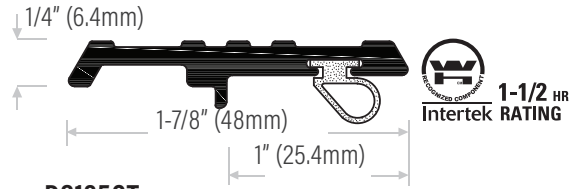
ASTRAGALS

Flat & T-Bar

Lengths available for DS180, DS182 and DS185: 84" (2134mm), 96" (2438mm) & 180" (4572mm)



DS185CP
Extruded aluminum clear anodized with pile insert
DS185DP
Black anodized



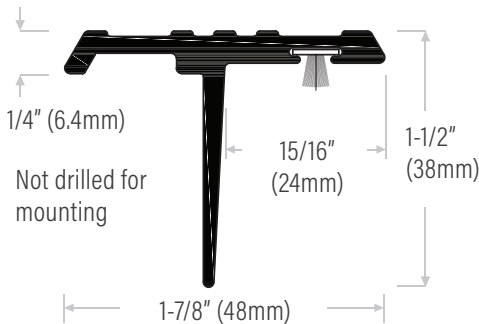
DS185CT
Extruded aluminum clear anodized with TPE (T) insert
DS185DT
Black anodized



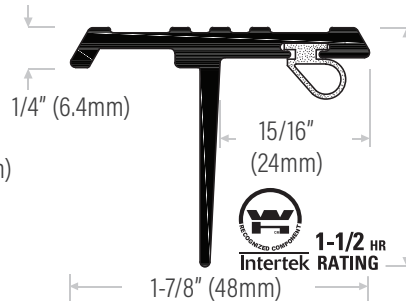
DS7520-270G
Replacement Pile insert,
grey for DS180 & DS185



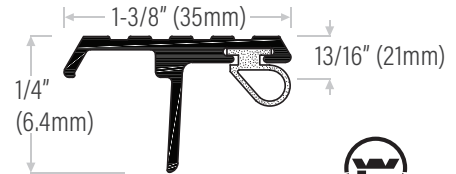
DS17BL Replacement
TPE insert, black for
DS180 & DS185



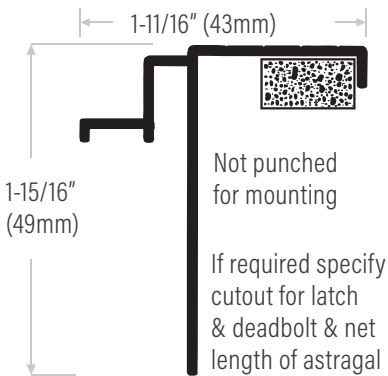
DS180CP Extruded aluminum clear anodized with pile insert



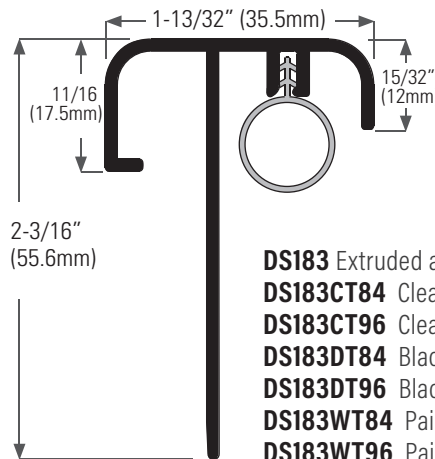
DS180CT Extruded aluminum clear anodized with TPE (T) insert



DS182 Extruded aluminum clear anodized with TPE (T) insert
DS182CT84 Clear anodized 84" (2134mm)
DS182CT96 Clear anodized 96" (2438mm)
DS182CT180 Clear anodized 180" (4572mm)
DS182DT84 Black anodized 84" (2134mm)
DS182DT96 Black anodized 96" (2438mm)
DS182DT180 Black anodized 180" (4572mm)



DS181D Black anodized with neoprene gasket.
Lengths available: 84" (2134mm) & 96" (2438mm)
DS181C Clear anodized
DS181W Painted white

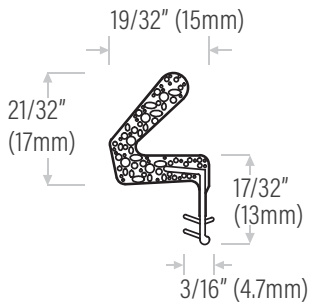


DS183 Extruded aluminum with TPE (T) insert
DS183CT84 Clear anodized 84" (2134mm)
DS183CT96 Clear anodized 96" (2438mm)
DS183DT84 Black anodized 84" (2134mm)
DS183DT96 Black anodized 96" (2438mm)
DS183WT84 Painted white 84" (2134mm)
DS183WT96 Painted white 96" (2438mm)



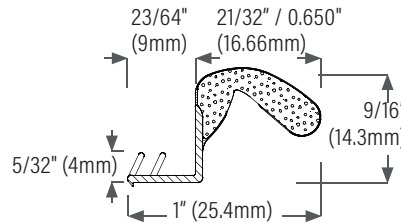
WEATHERSEALING (KERF-INSERTED)

DS434 Q-Foam Wrap Kerf Inserted Jamb Weatherseal



- DS434B81** Brown 81" (2057mm)
- DS434B97** Brown 97" (2464mm)
- DS434BL81** Black 81" (2057mm)
- DS434BL97** Black 97" (2464mm)
- DS434W81** White 81" (2057mm)
- DS434W97** White 97" (2464mm)

E-Lon® .650 by Foam Tite® DS421 Kerf Inserted Jamb Weatherseal



- DS421BL**
Black. Lengths: 82", 86", 97"
Full coil: 500 ft. (152m) or custom size coil up to 500 ft.
- DS421B**
Brown. Lengths: 86", 97"
Full coil: 500 ft. (152m) or custom size coil up to 500 ft.
- DS421W**
White. Lengths: 82", 86", 97"
Full coil: 500 ft. (152m) or custom size coil up to 500 ft.

MULTI-PURPOSE WEATHERSEAL TAPES

Packaged Rolls



All adhesive backed tapes have a limited shelf life. These products must be used within 6 months of purchase & must be stored between 50° & 100° Fahrenheit (10° & 37.77° Celsius).

Open Cell Polyurethane A/B Tapes

- DS831R** 3/16" thick x 3/8" wide x 16.5 ft. grey (4.7mm x 9.5mm x 5.02m)
- DS835R** 1/4" thick x 1/2" wide x 16.5 ft. grey (6.4mm x 12.7mm x 5.02m)
- DS837R** 3/8" thick x 3/8" wide x 16.5 ft. grey (9.5mm x 9.5mm x 5.02m)

Neoprene Closed Cell Sponge A/B Tapes

- DS861R** 3/16" thick x 3/8" wide x 10 ft. black (4.7mm x 9.5mm x 3.04m)
- DS863R** 1/4" thick x 1/2" wide x 50 ft. black (6.4mm x 12.7mm x 3.04m)
- DS864R** 5/16" thick x 3/8" wide x 10 ft. black (8mm x 9.5mm x 3.04m)
- DS865R** 5/16" thick x 3/4" wide x 10 ft. black (8mm x 19mm x 3.04m)
- DS866R** 3/8" thick x 3/8" wide x 10 ft. black (9.5mm x 9.5mm x 3.04m)
- DS868R** 1/2" thick x 1" wide x 10 ft. black (12.7mm x 25.4mm x 3.04m)

PVC Closed Cell Soft Foam A/B Tapes

- DS847R** 3/8" thick x 3/8" wide x 16.5 ft. grey (9.5mm x 9.5mm x 5.02m)
- DS848R** 3/8" thick x 3/4" wide x 16.5 ft. grey (9.5mm x 19mm x 5.02m)

XI Cell/Cross-Linked Polyurethane A/B Tapes

- DS852R** 1/8" thick x 3/8" wide x 16.5 ft. white (3.2mm x 9.5mm x 5.02m)

Camper Truck Tape-Closed Cell Sponge Vinyl A/B Tape

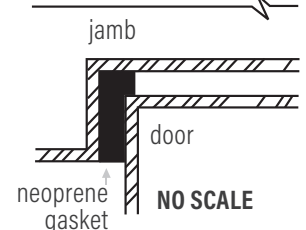
- DS885R** 3/16" thick x 1-1/4" wide x 30 ft. grey (4.7mm x 32mm x 9.14m)

Bulk Rolls

Neoprenes (Black)

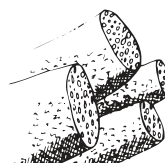
- DS61-50** 1/8" thick x 3/8" wide x 50 ft. BL (3.2mm x 9.5mm x 15.24m)
- DS67-50** 1/8" thick x 1/2" wide x 50 ft. BL (3.2mm x 12.7mm x 15.24m)
- DS74-25** 5/16" thick x 3/4" wide x 25 ft. BL (8mm x 19mm x 7.6m)
- DS76-12.5** 1/2" thick x 3/4" wide x 12.5 ft. BL (12.7mm x 19.5mm x 3.8m)
- DS78-50** 1/4" thick x 1" wide x 50 ft. BL (6.4mm x 25.4mm x 15.24m)
- DS79-12.5** 1/2" thick x 1" wide x 12.5 ft. BL (12.7mm x 25.4mm x 3.8m)

OVERHEAD VIEW



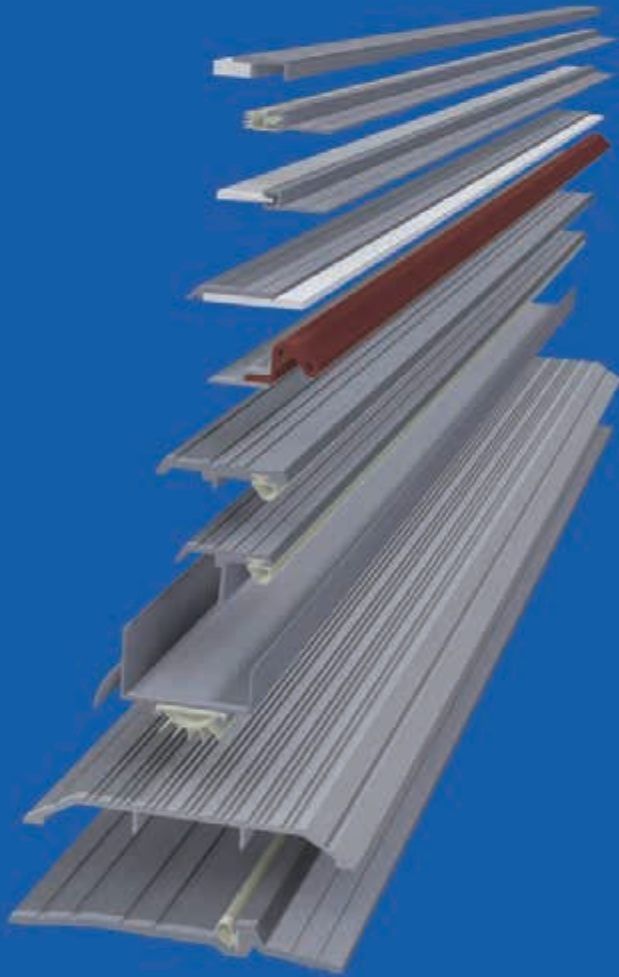
Backer Rod

- DSROD1/4** 1/4" (6.3mm) diameter 4000 ft (1219m) per carton
- DSROD3/8** 3/8" (9.5 mm) diameter 2100 ft (640m) per carton
- DSROD1/2** 1/2" (12.7 mm) diameter 2500 ft (762m) per carton
- DSROD3/4** 3/4" (19mm) diameter 1100 ft (335m) per carton
- DSROD1** 1" (25.4mm) diameter 600 ft (182m) per carton



Sealant backer rod is an extruded round, grey, closed-cell low-density polyethylene foam with a skin-like outer texture. It is an ideal non-absorbent, compressible, back-up material inserted into a joint to control sealant tooling. Available in footage or bulk coils.

DraftSeal®



KrisTrack®



DraftSeal®

NGP

Head Office & Manufacturing Centre, Vancouver, Canada

Unit 100 - 4825 275th St, Langley, B.C. V4W 0C7 Canada

Phone: (604) 451-1080 • Fax: (604) 451-1140 • www.draftseal.com • info@draftseal.com

Outside Vancouver, B.C., please use our toll free numbers: Phone: 1-888-520-9009 Fax: 1-800-567-2887

Branch Office & Manufacturing Centre, Toronto, Canada

Phone head office toll free 1-888-520-9009 for branch address

Branch Office & Distribution Centre, Los Angeles, California, USA

Phone head office toll free 1-888-520-9009 for branch address